



[Custom
Molded
Rubber](#)



[Custom
Colors!!](#)

[Home](#)

[About PacTec](#)

[Contact Us](#)

Login

[Click Here to Register](#)

Username

Password

[Forget your login info?](#)

[View Cart \(0\)](#)

[Advanced Search](#)

[Connector Search](#)

News

Sign up for our latest news and new product updates!

Email:

BM-3

External Dimensions: 7.5 x 10.4 x 3.3 in.

PCB Dimensions: 7 x 9.9 x 3.3 in.

Colors: Black
PC Bone

Materials: ABS-94HB
[Material Specs](#)

Components:

- Top and Bottom Covers
- Assembly Screws
- 2 Panels (Black Only)
- 4 Feet

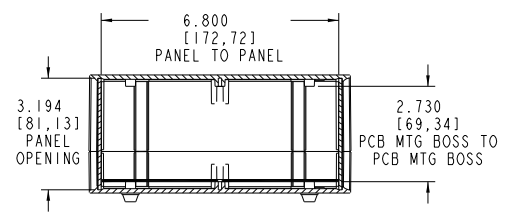
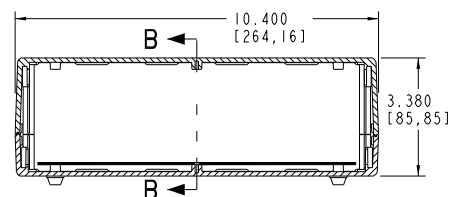
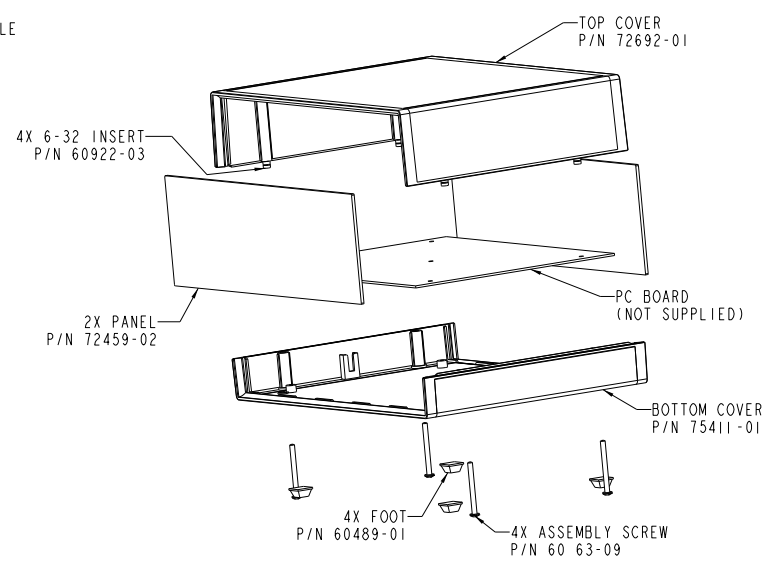
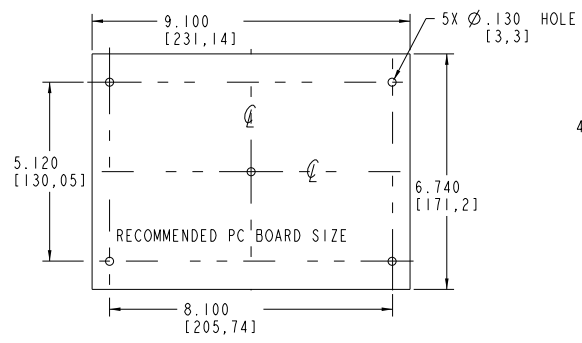
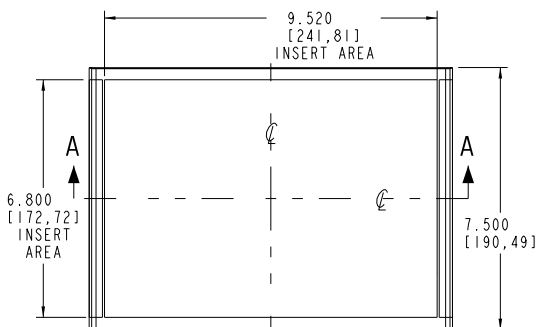


[Custom Colors!!](#)



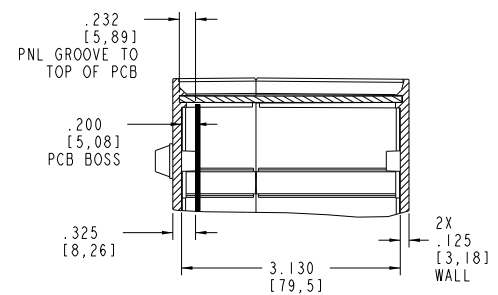
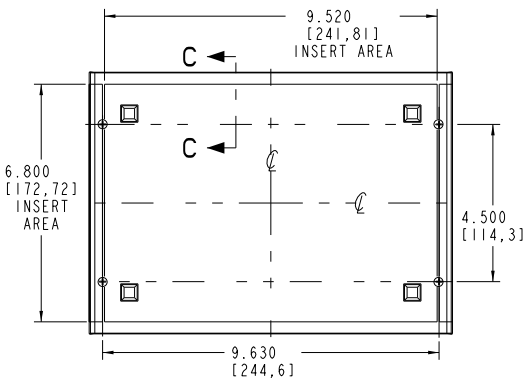
[Free Samples of
New Products Available!](#)



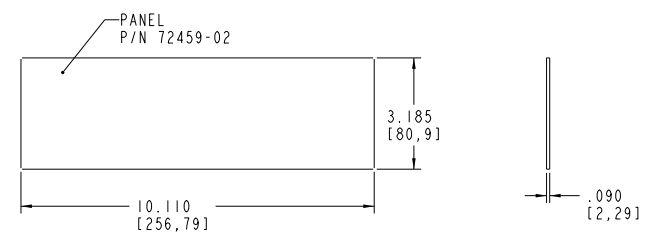


SECTION A-A

SECTION B-B



SECTION C-C
SCALE 1:200



PACINTEC®
1-610-361-4200

BM-3

VISIT **PACINTEC®**
ON THE WORLD WIDE WEB
www.pactecenclosures.com

COLOR / MATERIAL CODE	
COLOR	94HB 94VO
BLACK	000 028
P.C.BONE	039 060

DRAWING NUMBER	REV
77704	C