



[Custom
Molded
Rubber](#)



[Custom
Colors!!](#)

[Home](#)

[About PacTec](#)

[Contact Us](#)

Login

[Click Here to Register](#)

Username

Password

[Forget your login info?](#)

[View Cart \(0\)](#)

[Advanced Search](#)

[Connector Search](#)

News

Sign up for our latest news and new product updates!

Email:



[Custom Colors!!](#)



[Free Samples of
New Products Available!](#)



BM-2

External Dimensions: 7.5 x 10.4 x 2.3 in.

PCB Dimensions: 7 x 9.9 x 2.3 in.

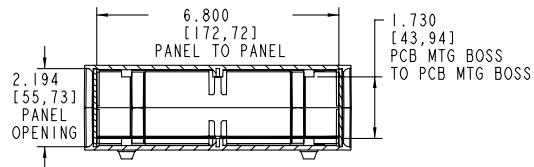
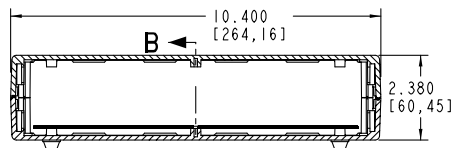
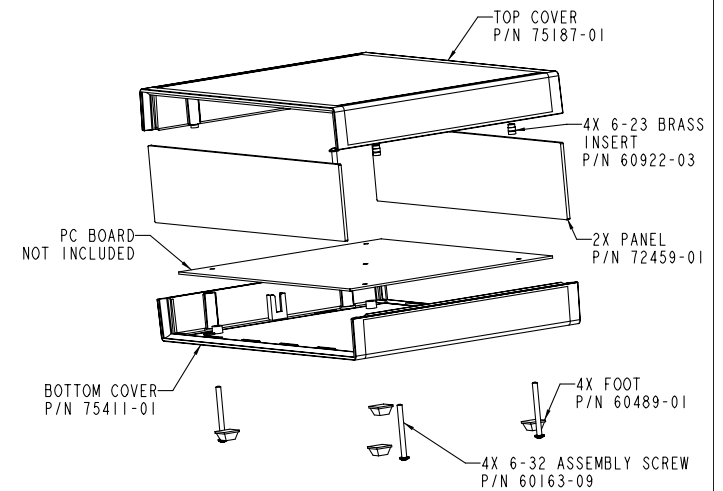
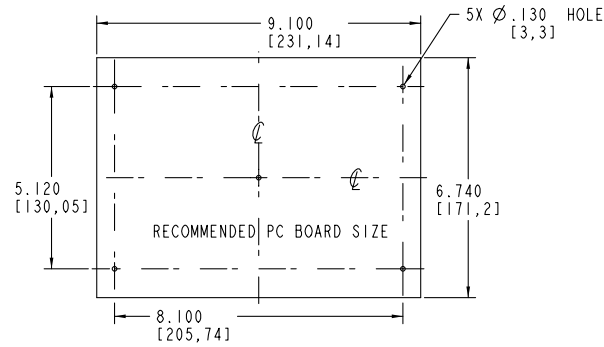
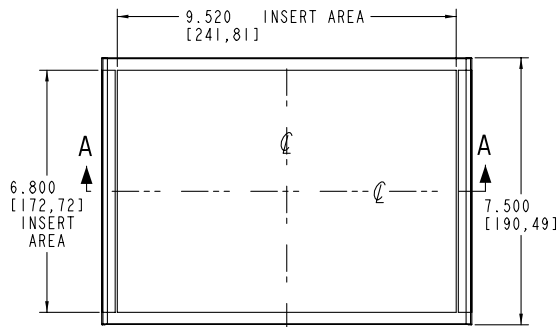
Colors: Black
PC Bone

Materials: ABS-94HB
[Material Specs](#)

Components:

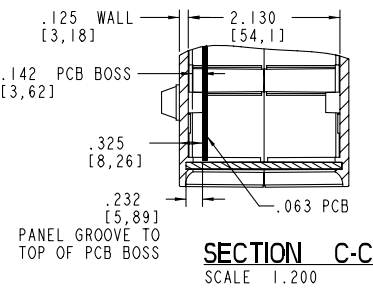
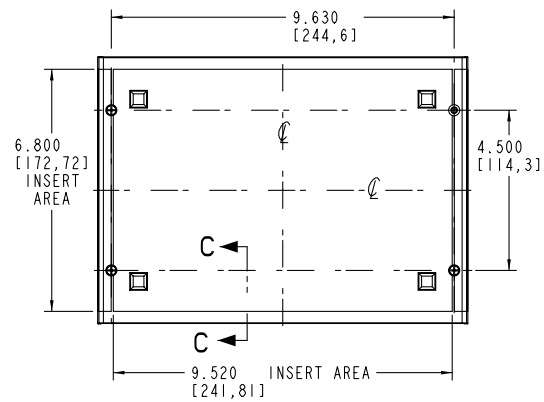
- Top and Bottom Covers
- Assembly Screws
- 2 Panels (Black Only)
- 4 Feet



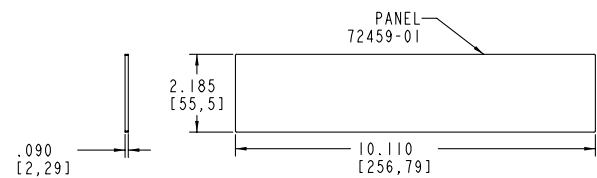


SECTION A-A

SECTION B-B



SECTION C-C



PACNTEC[®]
1-610-361-4200

BM-2

VISIT **PACNTEC**[®]
ON THE WORLD WIDE WEB
www.pactecenclosures.com

COLOR / MATERIAL CODE		
COLOR	94HB	94VO
BLACK	000	028
P.C.BONE	039	060

DRAWING NUMBER	REV
75429	E