

# Instrument Case - Polystyrene (1598 Series)

Plastic

Molded in P.C. card standoffs and vertical card guides...

Positive fit, tongue & groove construction requires only two mounting screws...

Complete with four rubber feet and hardware...

Two models available, one with easy to modify ABS black plastic or the other with strong aluminum end panels...

## OTHER KEY FEATURES

- Modern low profile designed instrument enclosure.
- Two sets of vertical 1.5 mm (0.062") P.C. board guides are molded into case halves, front and rear.
- Molded in economical matte textured grey polystyrene.
- Easy access to interior via shell type construction.
- Designed to meet IP54.
- Integral horizontal P.C. card mounts on Eurocard centers.

## ACCESSORIES



### Replacement Screws

Self-tapping type, used in polystyrene 1598 series (ie...no brass inserts). # 4 x 5/8" (15.9 mm)  
**1598TS100** - Package of 100



### Nylon Circuit Board Standoffs

Self adhesive pad allows placement anywhere in the enclosure.  
**1598ZPC25** - Package of 25  
**1598ZPC100** - Package of 100



### Replacement Plastic End Panels (Black)

Molded from black fire retardant ABS plastic. Part contains both front & back panel.

- 1598PLABK** - Use with 1598A
- 1598PLBBK** - Use with 1598B
- 1598PLBBBK** - Use with 1598BB
- 1598PLCBK** - Use with 1598C
- 1598PLDBK** - Use with 1598D
- 1598PLEBK** - Use with 1598E
- 1598PLFBK** - Use with 1598F
- 1598PLGBK** - Use with 1598G
- 1598PLHBK** - Use with 1598H
- 1598PLJBK** - Use with 1598J



### P.C. Board Screws

Self-tapping type, used for bosses in the 1598 series for P.C. board installation. # 6 x 1/4" (6.4 mm)  
**1598ATS100** - Package of 100

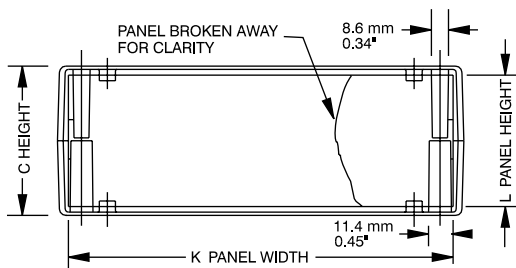
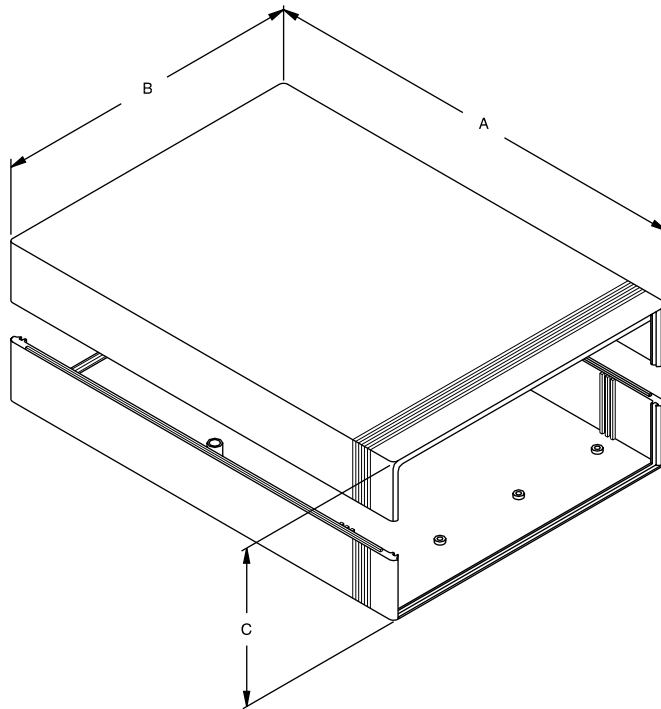


### Tilt Handles

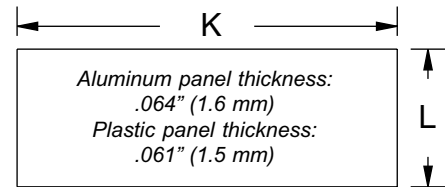
Used as a tilt handle and/or bail - 8 detent positions.  
**1598TH1** - Use with 1598C,E,F & G  
**1598TH2** - Use with 1598D, H & J

# Instrument Case - Polystyrene (1598 Series)

Plastic



End View



Front or Rear Panel

Part Number		Units	Dimensions			Panel Size	
Grey enclosure with metal panels	Grey enclosure with black plastic panels		A	B	C	K	L
<b>1598BSGY</b>	<b>1598BSGYPBK</b>	inch mm	5.28 134	5.31 135	1.96 50	5.04 128	1.77 45
<b>1598ASGY</b>	<b>1598ASGYPBK</b>	inch mm	6.18 157	3.70 94	1.42 36	3.39 86	1.06 27
<b>1598ESGY</b>	<b>1598ESGYPBK</b>	inch mm	6.30 160	6.30 160	3.38 86	5.98 152	3.11 79
<b>1598BBSGY</b>	<b>1598BBSGYPBK</b>	inch mm	7.05 179	6.06 154	1.42 36	5.75 146	1.14 29
<b>1598CSGY</b>	<b>1598CSGYPBK</b>	inch mm	7.09 180	6.10 155	2.04 52	5.71 145	1.81 46
<b>1598DSGY</b>	<b>1598DSGYPBK</b>	inch mm	7.09 180	8.11 206	2.52 64	7.80 198	2.28 58
<b>1598FSGY</b>	<b>1598FSGYPBK</b>	inch mm	9.84 250	6.30 160	1.58 40	5.98 152	1.38 35
<b>1598GSYG</b>	<b>1598GSYGYPBK</b>	inch mm	9.84 250	6.30 160	3.00 76	5.98 152	2.72 69
<b>1598HSGY</b>	<b>1598HSGYPBK</b>	inch mm	11.02 280	7.87 200	1.58 40	7.56 192	1.38 35
<b>1598JSGY</b>	<b>1598JSGYPBK</b>	inch mm	11.02 280	7.87 200	3.00 76	7.56 192	2.72 69

NOTES: - Average top & bottom wall thickness: 0.125" (3.2 mm)  
- Average side wall thickness: 0.18" (4.5 mm)



**CANADA**  
Guelph, Ontario (519) 822-2960  
St. Laurent, Quebec (514) 343-9010  
**USA**  
Cheektowaga, NY (716) 651-0086

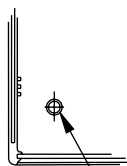
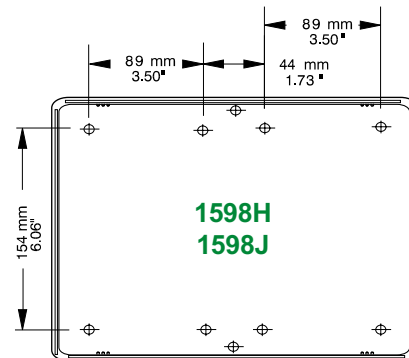
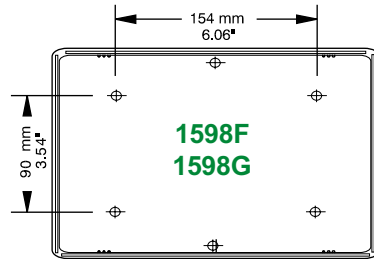
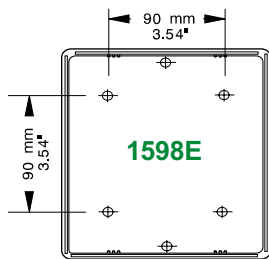
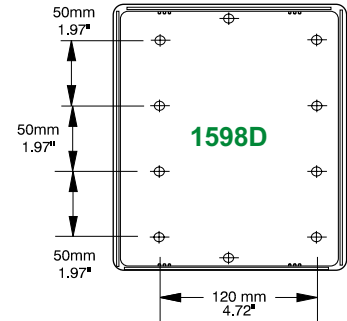
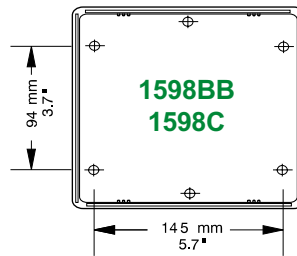
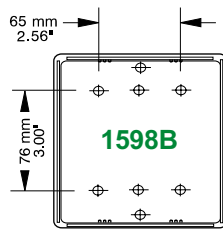
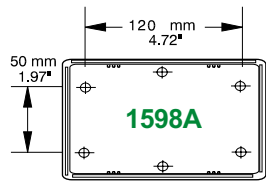


**EUROPE**  
Basingstoke, UK +44 1256 812812

**AUSTRALASIA**  
Queenstown, SA, Australia +61 8 8240 2244

# 1598 Series Drawings

Plastic



POST 3 mm I/S .12" I/S  
8 mm DIA O/S .32" DIA O/S

P.C. Board Standoff Detail

For detailed drawings, CAD files and color photos visit our website at:  
[www.hammondmfg.com](http://www.hammondmfg.com)

