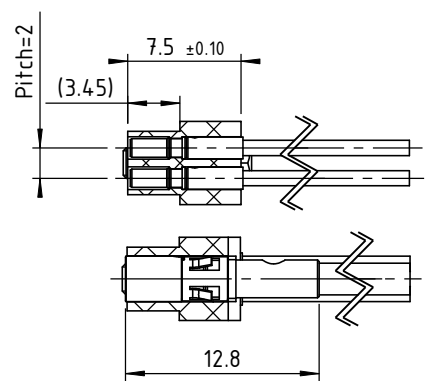


D

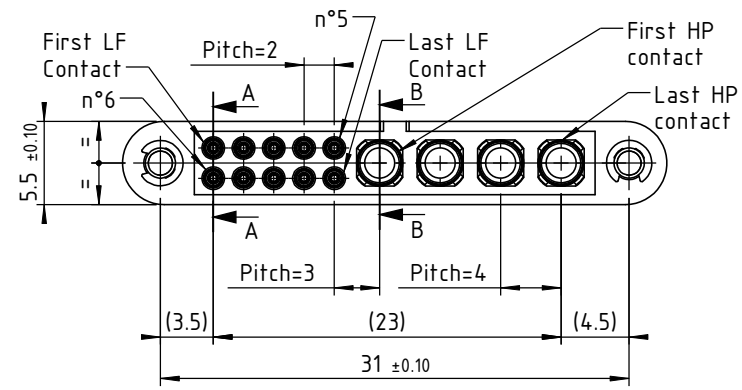
C

B

A



CUT A-A
CUT B-B



TECHNICAL FEATURES for 30 HP CONTACTS

MATERIAL

- Body: Copper alloy / Ni + Au 0.5µ
- Retaining clip: Beryllium alloy / Ni 3µ

MECHANICAL

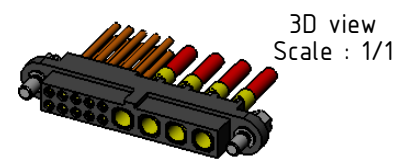
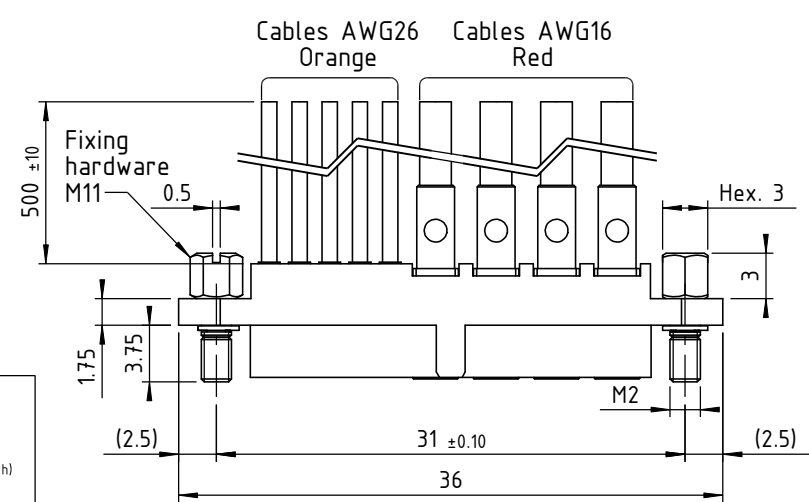
- Endurance: 2500 cycles
- Insertion force: From 0.60 to 5N per contact
- Extraction force: From 0.50 to 2N per contact
- Secure overlapping: 1.30 mm
- Contact replacement in insulator: 30 times

ELECTRICAL

- Intensity: 10 A
- Contact resistance: max. 6 mΩ
- Maximum voltage (sea level): 1000V (RMS)
- Operating voltage (sea level): 180 V AC/500 mA

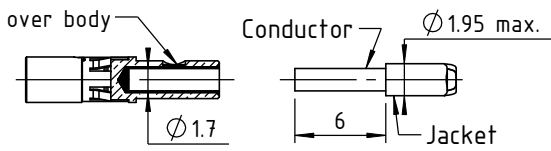
WIRES SPECIFICATION	
MIL-W-22759/11	
AWG16 Red	
Standing : 19x29	
Finished Diameter: 1.95 mm max. (0.076 inch)	
Conductor : Silver coated copper	
Insulation : Extruded PTFE	
Temperature Rating : 200°C	
Voltage Rating : 600 V	

WIRES SPECIFICATION	
MIL-W-22759/11	
AWG26 Orange	
Standing : 19x38	
Finished Diameter : 1.1 mm max. (0.04 inch)	
Conductor : Silver coated copper	
Insulation : Extruded PTFE	
Temperature Rating : 200°C	
Voltage Rating : 600 V	

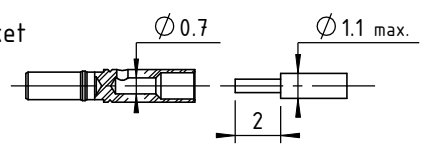


HP contact
30-4310 AWG16

Solder conductor over body



LF contact "S" AWG26 scale 3 : 1



TECHNICALS FEATURES

MATERIAL

INSULATOR : Special PPS (Polyphenylene sulphide Fiberglass filled thermoplastic) UL 94-V0

- Radiation resistance
- No humidity absorption
- Oxygen free

Note : PPS characteristics are recognized for space applications

CRIMPING SIGNAL CONTACTS :

- Female :
 - Body: Copper alloy / Ni + Au 0.2µ
 - Socket body: beryllium copper / Ni + Au 1.25µ

FIXING HARDWARE :

- Jackscrew : Stainless steel

ELECTRICAL for LF Contacts

- All contacts: 3 A max. @ 25°C, 2.2 A max. @ 85°C
- Working voltage (sea level): Tested at 800 V DC
- Proof voltage: Tested at 1200 V DC
- Contact resistance (initially): max. 10 mΩ
- Insulation resistance: 1000 MΩ min

MECHANICAL for LF Contacts

- Mechanical operations: 2500 cycles min.
- Contact insertion and withdrawal force: 2 N max. / 0.2 N min. per contact
- Contact retention in insulator: 10 N min.
- Contact replacement in insulator: 3 cycles

ENVIRONMENTAL

- Temperature range: From -60°C to +260°C
- Vibration severity: 0.75mm, 10 g RMS 6 hours long random with superimposed sinusoid. No intermittencies measured when using an H.S.L.I. (High Speed Logic Interrupt) detector with a trip threshold of 2 ns.
- Shock severity: 100g for 6 ms
- Solvent resistance: HcFc 141 BMGX (ATOCHEM) solvent
- Salt spray test: 96 hrs
- Humidity test: 56 days @ 90% humidity

Tooling recommended	
Désignation	Part number
HP series 30 contacts removal	12368
LF contacts insertion & withdrawal Tool	C12935
Daniels MH800 Tool and Positioner	C14925 (setting 6)

Crimping referee to cable instruction ICLF01 and page 92 from NICOMATIC catalogue
Marking referee page 12-13 of CMM catalogue

 www.nicomatic.com Mail : nicomatic@nicomatic.fr Tel : +33 (0)4.50.36.13.85	2	11/09/08	C.G.	E.M.	D.Z.
	Iss	Date	Drawn	Checked	Approved
Item : Female harness 222S10M11-0004-4310 Lg 500mm,connector CMM220 F crimp, 10 LF contacts, 4 HP contacts 30-4310, M11					
Folder : X:\Méthodes\Plans clients\Plans clients 2D\17 - Cablage\2 - Câblage avec contacts spéciaux\HB30001D3A-J2A500_cl					

This document and drawings, sketches, and schematic drawings are the property of the NICOMATIC company. and no parts thereof may be reproduced and used without the written consent of the owner. Law dated 11.03.1902

Catalogue Reference : HB30001D3A-J2A500

	General tolerance	±0.2	Scale	2:1	Page	1/1