

D

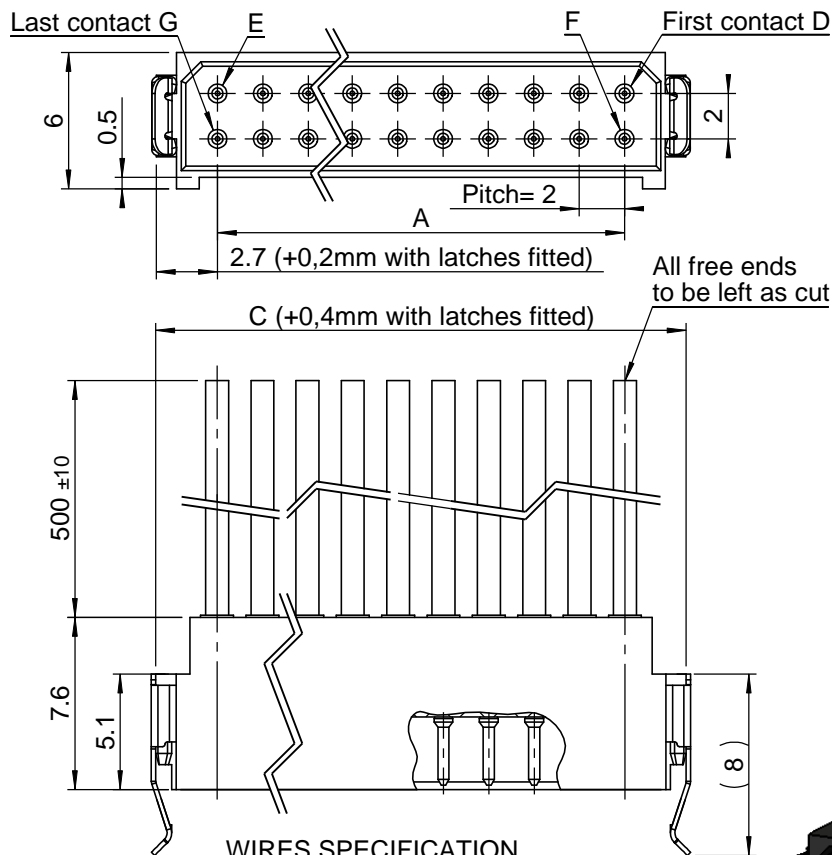
C

B

A

HARNESS PRO SERIES H205 MALE

Contacts number nn	Length without Latches in mm		Contacts reference mark number			
	A	C	D	E	F	G
04	2	7.4	1	2	3	4
06	4	9.4	1	3	4	6
08	6	11.4	1	4	5	8
10	8	13.4	1	5	6	10
12	10	15.4	1	6	7	12
14	12	17.4	1	7	8	14
16	14	19.4	1	8	9	16
18	16	21.4	1	9	10	18
20	18	23.4	1	10	11	20
22	20	25.4	1	11	12	22
24	22	27.4	1	12	13	24
26	24	29.4	1	13	14	26
28	26	31.4	1	14	15	28
30	28	33.4	1	15	16	30
32	30	35.4	1	16	17	32
34	32	37.4	1	17	18	34
36	34	39.4	1	18	19	36
38	36	41.4	1	19	20	38
40	38	43.4	1	20	21	40
42	40	45.4	1	21	22	42
44	42	47.4	1	22	23	44
46	44	49.4	1	23	24	46
48	46	51.4	1	24	25	48
50	48	53.4	1	25	26	50



TECHNICAL FEATURES

MATERIALS

INSULATOR : Glass filled thermoplastic UL 94-V0

CRIMPING SIGNAL CONTACTS :

Male : Brass / 0.3µ gold plated

FIXING HARDWARE :

▪ Latch : Beryllium copper / Ni 2µ nickel plated

ELECTRICAL

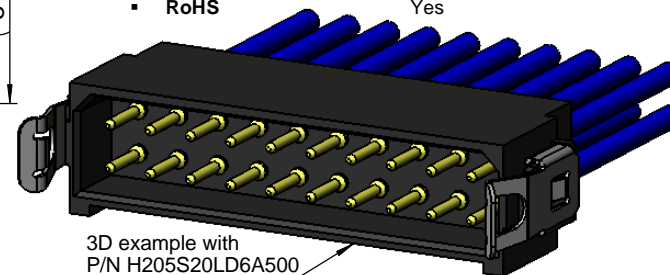
- All contacts: 3 A max. @ 25°C, 2.2 A max. @ 85°C
- Working / Rated voltage (sea level): 300V AC/DC
- Proof / Withstanding voltage: 400V AC/DC
- Contact resistance (initial): max. 20 mΩ
- Contact resistance (after conditioning): max. 25 mΩ
- Insulation resistance (initial): 1000 MΩ min

MECHANICAL

- Mechanical operations: 500 cycles.
- Contact insertion and withdrawal force: 2N max. / 0.2 N min.
- Contact retention in insulator: 10N min.

ENVIRONMENTAL

- Temperature range: From -55°C to +125°C
- RoHS: Peak Reflow Compatible 260°C Yes



3D example with P/N H205S20LD6A500

CABLE COLOR

Black : 0 / Brown : 1
 Red : 2 / Orange : 3
 Yellow : 4 / Green : 5
 Blue : 6 / Violet : 7
 Gray : 8 / White : 9

Contacts number

H 2 0 5 S n n D 6 A 5 0 0

« L » = latch with locking
 « » = without latch

AWG
 24 : E
 26 : D
 28 : C

NORM

A : MIL-W-22759/11
 B : « ... »

WIRES SPECIFICATION

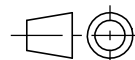
MIL-W-22759/11
 AWG26 Blue
 Standing : 19 x 38
 Finished Ø : 1.02mm max.(0.04 inch)
 Conductor : Silver coated copper
 Insulation : Extruded PTFE
 Temperature Rating : 200°C
 Voltage Rating : 600V

Latch separation tool

P/N C14790



173, rue des fougères Tel. : +33 (0)4.50.36.13.85
 Z.I. Les Bracots Fax : +33 (0)4.50.36.11.33
 F-74890 Bons-en-Chablais Web : www.nicomatic.com



Echelle/Scale

3:1

a	19/05/08	H.T.		D.Z.
Ind	Date	Drawn	Checked	Approved
Désignation : Harness CMM200 Pro series Male AWG26 Blue 500mm				

Ce plan est la propriété exclusive de la société NICOMATIC.
 Il ne peut être reproduit sans son autorisation. Loi du 11.03.1902.

This document and drawings, sketches, and schematic drawings are the property of the NICOMATIC company, and no parts thereof may be reproduced and used without the written consent of the owner.
 Law dated 11.03.1902

H205Snn(L)D6A500_cl
Réf. catalogue / Catalogue Reference H205Snn(L)D6A500

Tolérance générale / General tolerance ±0.2

Page 1/1

A4

D

A