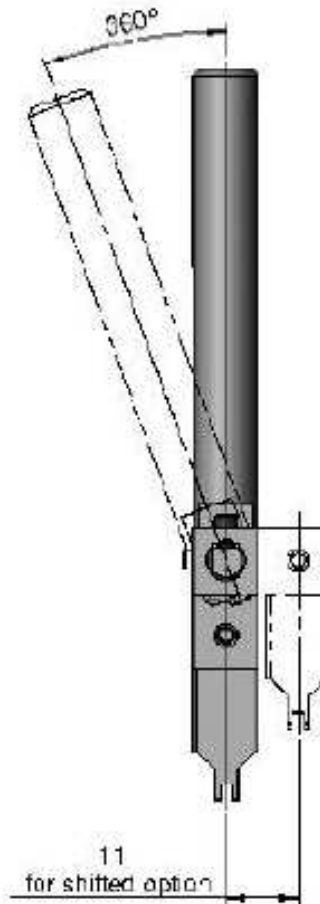
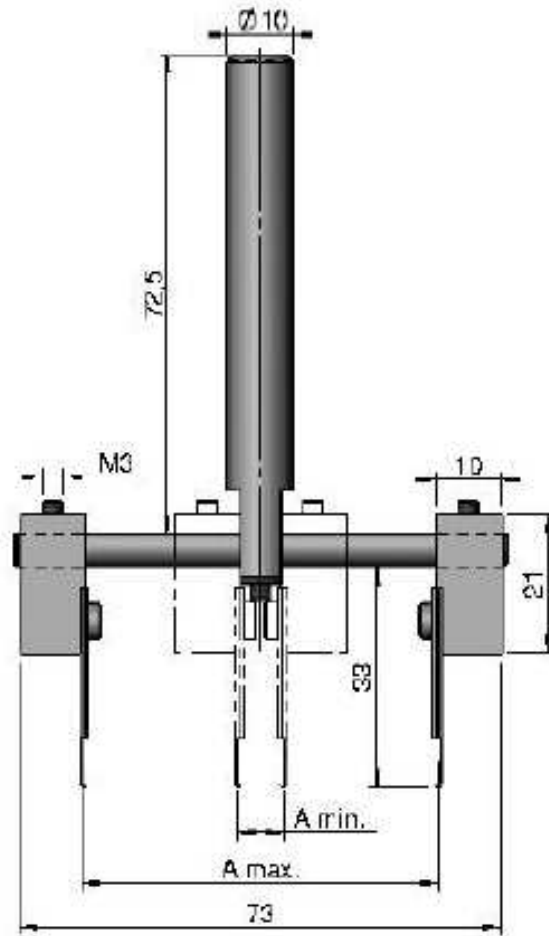
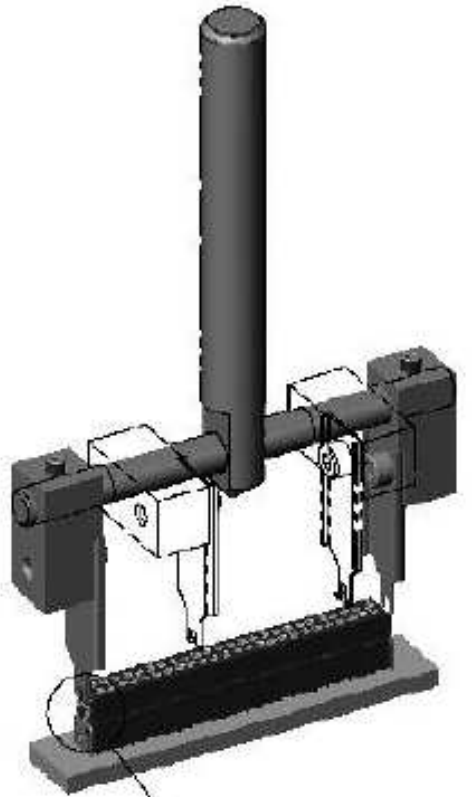


LATCH SEPARATION TOOL P/N C14790



Series	A max.		A min.	
	A max.	LF contacts	A min.	LF contacts
CMM 100	53	25	7	2
CMM 200	53	50	7	4