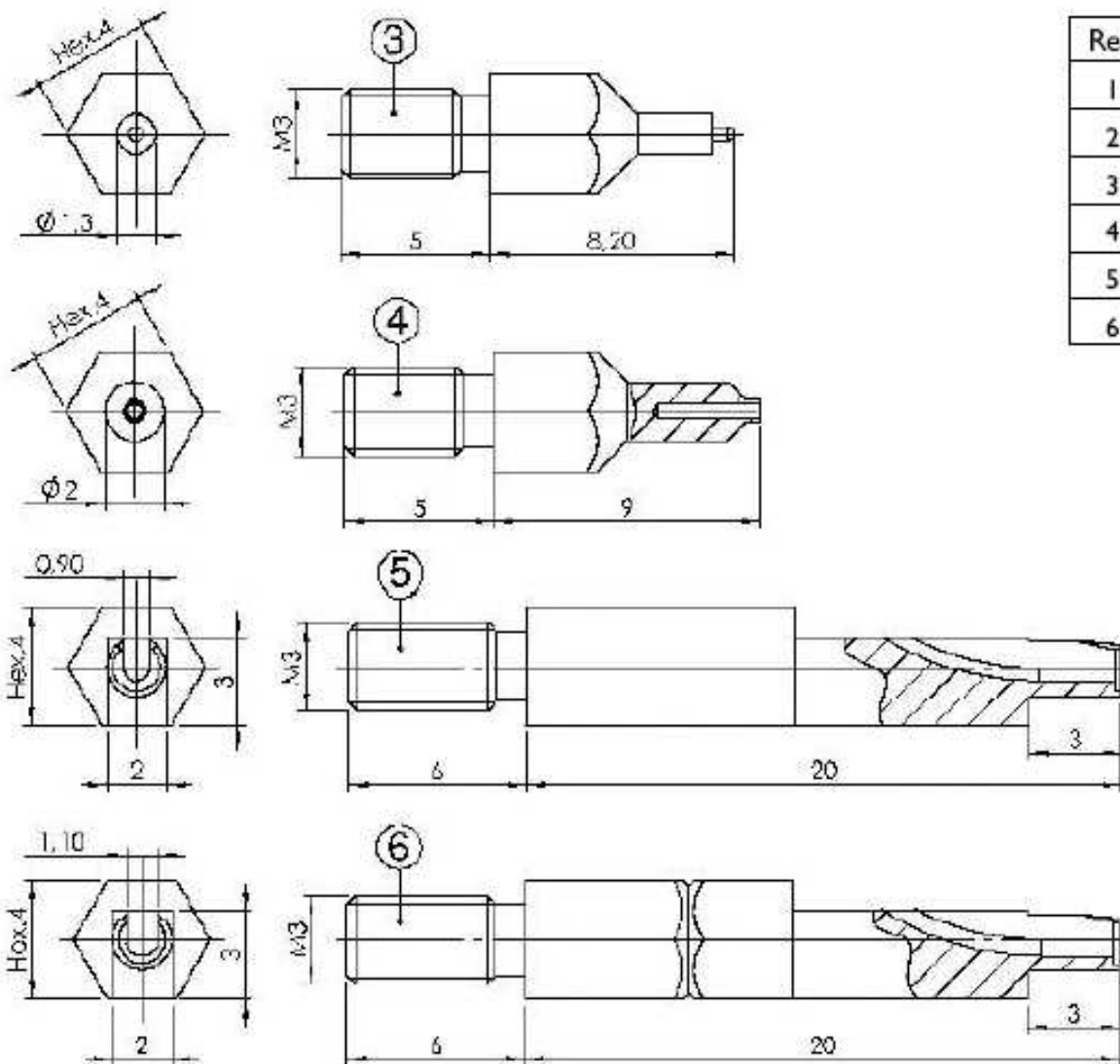


# LF CONTACTS INSERTION & WITHDRAWAL TOOL P/N C12935



Rep	Reference	Assembly C12935
1	13241	Body
2	13240	Plug
3	13170	Female contact extraction tip
4	13242	Male contact extraction tip
5	13171	24-28 AWG insertion tip
6	13712	22 AWG insertion tip

