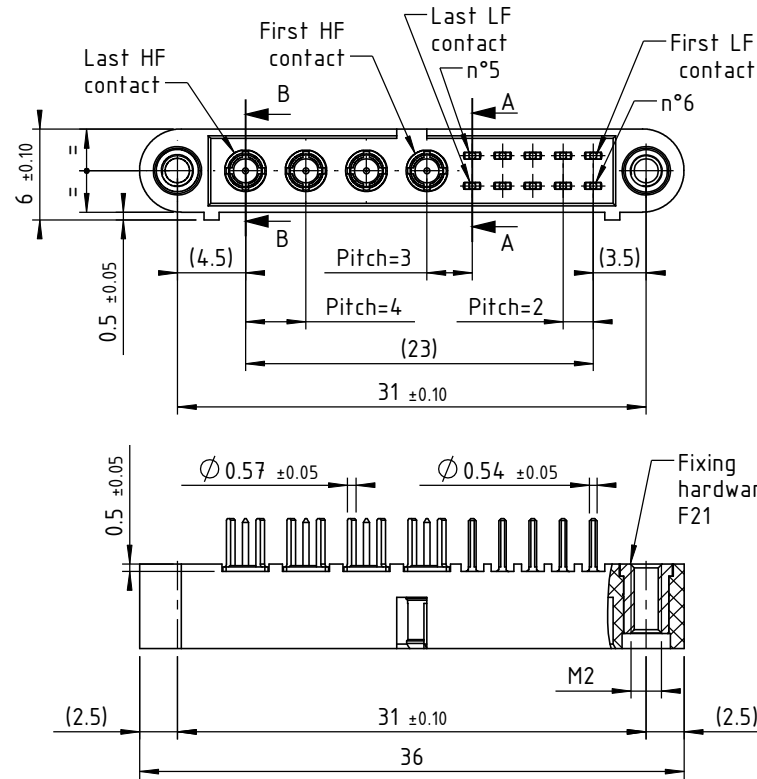
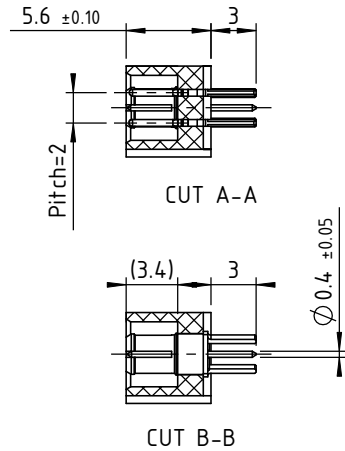


D

C

B

A



TECHNICAL FEATURES for 30 HF CONTACTS

MATERIAL

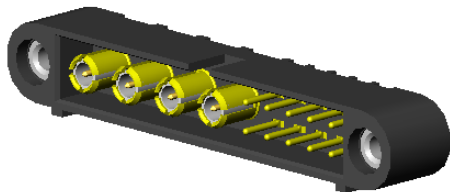
- Body: Copper alloy Cu + Ni + Au 0.5µ
 - Inner contact: Copper alloy Cu + Ni + Au 0.75µ
 - Insulator: PTFE
- Do not comply with radiation

MECHANICAL

- Endurance: 2500 cycles
- Insertion force: From 0.60 to 5N per contact
- Extraction force: From 0.50 to 2N per contact
- Secure overlapping: 1.30 mm

ELECTRICAL

- Impedance: 50Ω
- Insulator resistance: 10⁹ mΩ / 250V (RMS)
- SWR (Stationary Wave Rate): < 1.05 + 0.04 F (GHz)
- Frequency range: 6 GHz
- Insulation between 2 contacts: -100dB



TECHNICAL FEATURES

MATERIAL

INSULATOR : Special PPS (Polyphenylene Sulfide Fibreglass filled thermoplastic) UL 94-V0

- Radiation resistance
- No humidity absorption
- Oxygen free

Note : PPS characteristics are recognized for space applications

SIGNAL CONTACTS for PCB:

Male :

- Tail: Copper alloy / Ni + Au flash 0.1µ
- Contact area: Copper alloy / Ni + Au 1µ

FIXING HARDWARE :

- Jackscrew : Stainless steel

ELECTRICAL for LF Contacts

- All contacts: 3 A max. @ 25°C
2.2 A max. @ 85°C
- Working voltage (sea level): Tested at 800 V DC
- Proof voltage: Tested at 1200 V DC
- Contact resistance (initially): max. 10 mΩ
- Insulation resistance: 1000 MΩ min

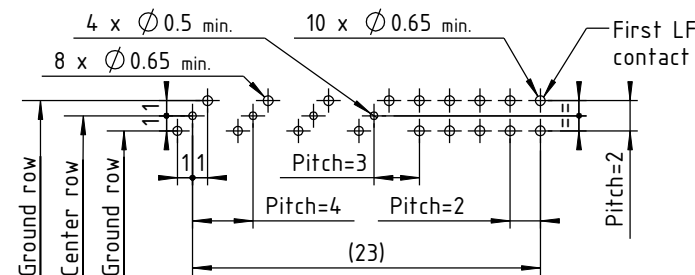
MECHANICAL for LF Contacts

- Mechanical operations: 2500 cycles min.
- Contact insertion and withdrawal force: 2 N max. / 0.2 N min. per contact

ENVIRONMENTAL

- Temperature range: From -60°C to +260°C
- Vibration severity: 0.75mm, 10 g RMS 6 hours long random with superimposed sinusoid. No intermitencies measured when using an H.S.L.I. (High Speed Logic Interrupt) detector with a trip threshold of 2 ns.
- Shock severity: 100g for 6 ms
- Solvent resistance: HcFc 141 bMGX (ATOCEM) solvent
- Salt spray test: 96 hrs
- Humidity test: 56 days @ 90% humidity

Recommended PCB layout :

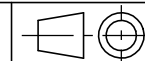


Marking referee page 12-13 of CMM catalogue

 www.nicomatic.com Mail : nicomatic@nicomatic.fr Tel : +33 (0)4.50.36.13.85	2	12/09/08	H.L.	E.M.	D.Z.
	Iss	Date	Drawn	Checked	Approved
Item : Connector CMM220 M straight on PCB, 10 LF contacts, 4 HF contacts 30-1300-CMM, F21					
Folder : X:\Méthodes\Plans clients\Plans clients 2D\10 - CMM220\Connecteurs mâles\221Y\221Y10F21-0004-1300CMM_cl					

This document and drawings, sketches, and schematic drawings are the property of the NICOMATIC company, and no parts thereof may be reproduced and used without the written consent of the owner. Law dated 11.03.1902

Catalogue Reference : 221Y10F21-0004-1300CMM



General tolerance ±0.2
Scale 2:1
Page 1/1

D

A4