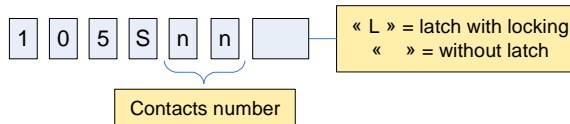
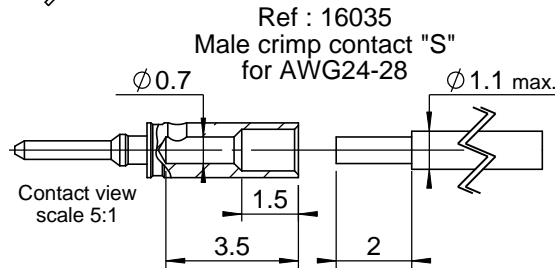
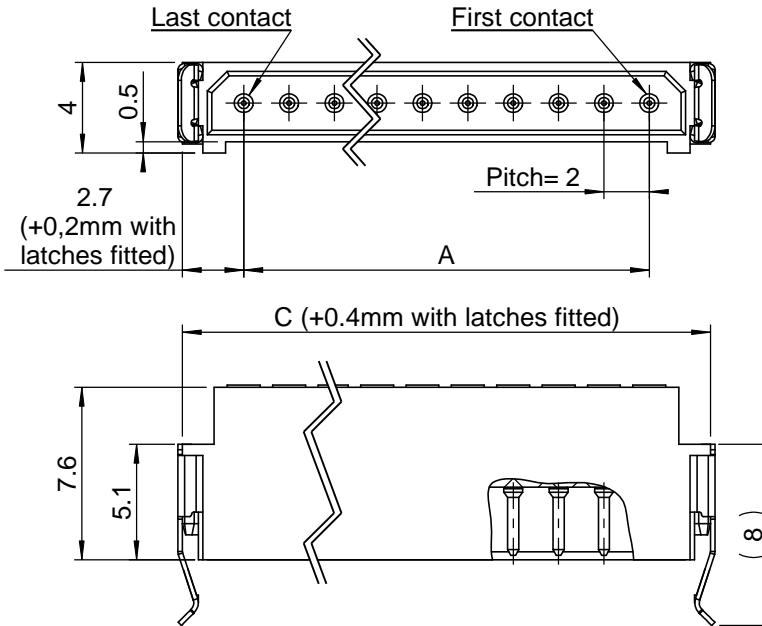


CONNECTOR PRO SERIES 105 MALE

Contacts number nn	Length without latches in mm	
	A	C
02	2	7.4
03	4	9.4
04	6	11.4
05	8	13.4
06	10	15.4
07	12	17.4
08	14	19.4
09	16	21.4
10	18	23.4
11	20	25.4
12	22	27.4
13	24	29.4
14	26	31.4
15	28	33.4
16	30	35.4
17	32	37.4
18	34	39.4
19	36	41.4
20	38	43.4
21	40	45.4
22	42	47.4
23	44	49.4
24	46	51.4
25	48	53.4



TECHNICAL FEATURES

MATERIALS

INSULATOR : Glass filled thermoplastic UL 94-V0

CRIMPING SIGNAL CONTACTS :
Male : Brass / 0.3µ gold plated

FIXING HARDWARE :

- Latch : Beryllium copper / Ni 2µ nickel plated

ELECTRICAL

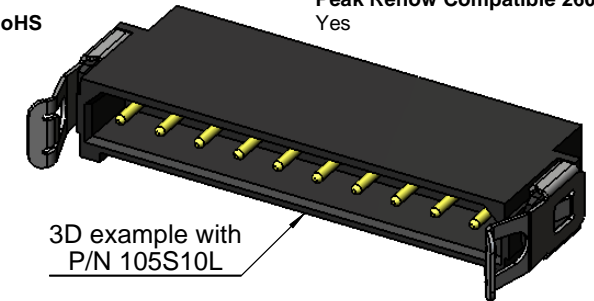
- All contacts: 3 A max. @ 25°C, 2.2 A max. @ 85°C, 300V AC/DC
- Working / Rated voltage (sea level): 400V AC/DC
- Proof / Withstanding voltage: max. 20 mΩ
- Contact resistance (initial): max. 25 mΩ
- Contact resistance (after conditioning): 1000 MΩ min
- Insulation resistance (initial): 500 cycles.

MECHANICAL

- Mechanical operations: 500 cycles.
- Contact insertion and withdrawal force: 2N max. / 0.2 N min.
- Contact retention in insulator: 10N min.

ENVIRONMENTAL

- Temperature range: From -55°C to +125°C, Peak Reflow Compatible 260°C Yes
- RoHS: Yes



Latch separation tool P/N C14790

LF contacts insertion & withdrawal tool P/N C12935

Recommended hand crimp tool P/N MH800

Recommended positioner K1692 P/N C12929

AWG24 crimp tool setting Position 7

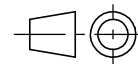
AWG26 & AWG28 crimp tool setting Position 6

Ce plan est la propriété exclusive de la société NICOMATIC. Il ne peut être reproduit sans son autorisation. Loi du 11.03.1902.

This document and drawings, sketches, and schematic drawings are the property of the NICOMATIC company. and no parts thereof may be reproduced and used without the written consent of the owner. Law dated 11.03.1902



173, rue des fougères Tel. : +33 (0)4.50.36.13.85
Z.I. Les Bracots Fax : +33 (0)4.50.36.11.33
F-74890 Bons-en-Chablais Web : www.nicomatic.com



Echelle/Scale

3:1

a	16/05/08	H.T.		D.Z.
Ind	Date	Drawn	Checked	Approved

Désignation : Connector CMM100 Pro series Male crimp AWG24-28

105Snn(L)-cl
Réf. catalogue / Catalogue Reference 105Snn(L)

Tolérance générale / General tolerance ±0.2 Page 1/1 A4