



Neutricon® Connectors

Industry

[back](#)[Print](#)

ORP8M-NI

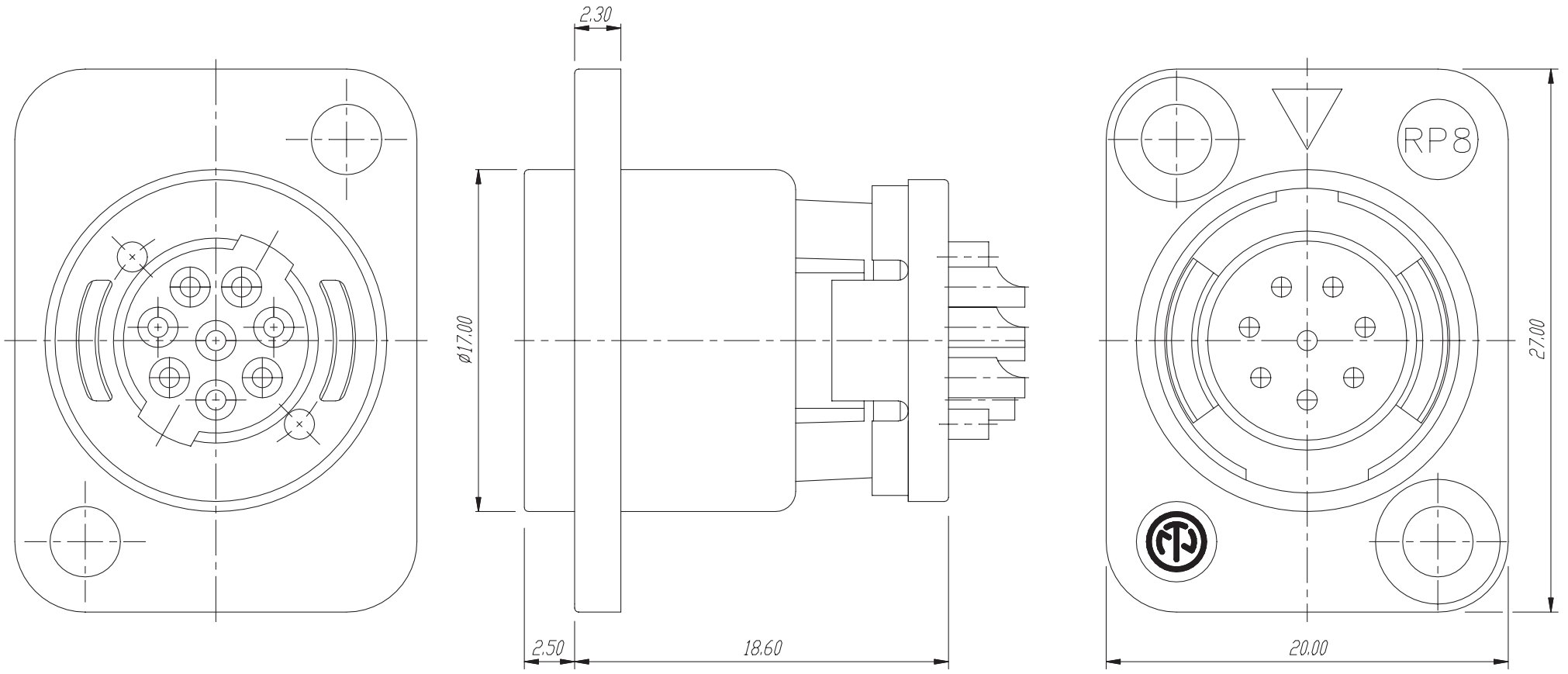


The Neutricon® connectors are designed for multipin / industrial applications in harsh and demanding environment. The very robust all metal circular connector offers easy and screwless assembly, flexible part combination and a push pull locking mechanism.

Male panel mount receptacle, consisting of nickel housing, insert and 8 solder contacts. 180° coding.

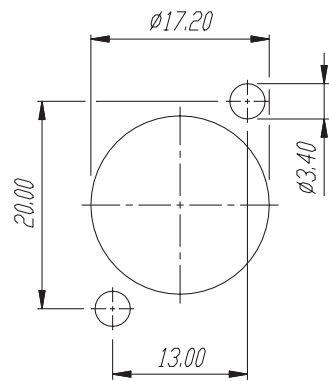
Features & Benefits

- Contact configuration can be selected from 1 to 8 contacts.
- Easy assembly: Contact soldering in disassembled condition avoids awkward wiring of high density contacts.
- Precise and robust all metal housing.
- Push-pull self-locking system.



Frontplattenausschnitt (Rückseite)

Panel cut out (rear side) M2:1



Ind.	Aenderung	Datum	Name	Werkstoff:	Maßstab:	Gezeichnet	Datum	Name
				*)Lieferant darf ohne Ruecksprache nicht gesendert werden	5:1	19.11.02	19.11.02	Battlogg
					2:1			
				Zeichnung urheberrechtlich geschuetzt (DIN 34) (C)		Gepueft		
				Benennung: Neutricon □RP8M		Gesehen		
						Ersetzt durch:		Blatt
						Ersatz fuer:		von Blatt
				NEUTRIK AG FL-9494 SCHAAN		Zeichn. Nr.		3102 St 19 23

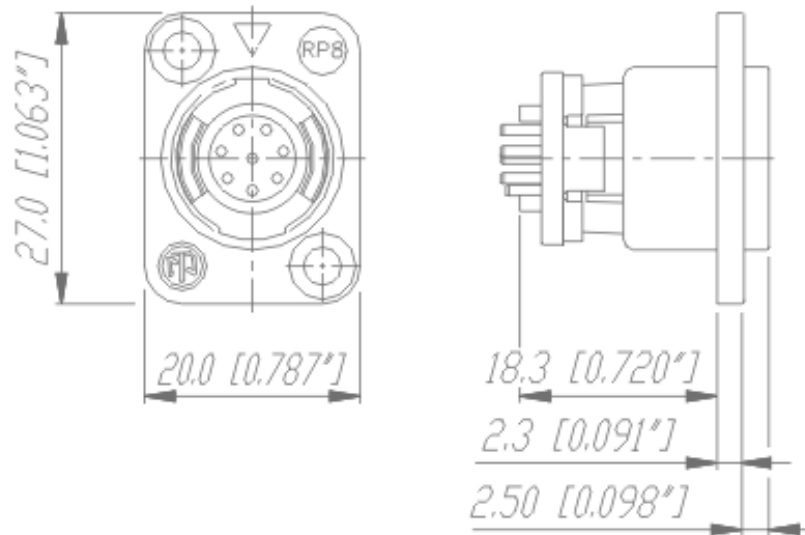


Neutricon® Connectors



Industry

ORP8M-NI



There are no technical infos for this product.

Product	
Connector Type	Neutricon
Gender	male
Electrical	
Contact resistance	$\leq 5 \text{ m}\Omega$
Dielectric strength	1,5 kVdc
Insulation resistance	$> 0.5 \text{ G}\Omega$ (after damp heat test IEC 68-2-30)
Rated current per contact	7,5 A
Rated voltage	50 V
Mechanical	
Cable retention force	$> 50 \text{ N}$
Insertion force	$< 25 \text{ N}$
Lifetime	> 1000 mating cycles
Wire size	1 mm ²
Wire size	18 AWG
Wiring	solder contacts
Locking device	Push-Pull
Mounting direction	front

Chassis shape D

Material

Contact plating 0.3 µm Au hard alloy over 2 µm Ni

Contacts Brass (CuZn35Pb2)

Insert PBTP 15 % GR

Shell Zinc diecast (ZnAl4Cu1)

Shell plating Nickel

Environmental

Flammability UL 94 HB

Protection class IP 5X

Solderability Complies with IEC 68-2-20

Temperature range -30 °C to +80 °C

Optical

Mobile Cables