

[Deutsche  
Version](#)[Home](#)  
[About Us](#)  
[Products](#)  
[Support](#)  
[News](#)  
[Sitemap](#)[Search](#)[Products only](#)[© Neutrik® AG](#)  
[All rights reserved](#)  
[Legal Notices](#)

## Neutrik® Connectors

Industry

[back](#)[Print](#)

### ORP8F-NI

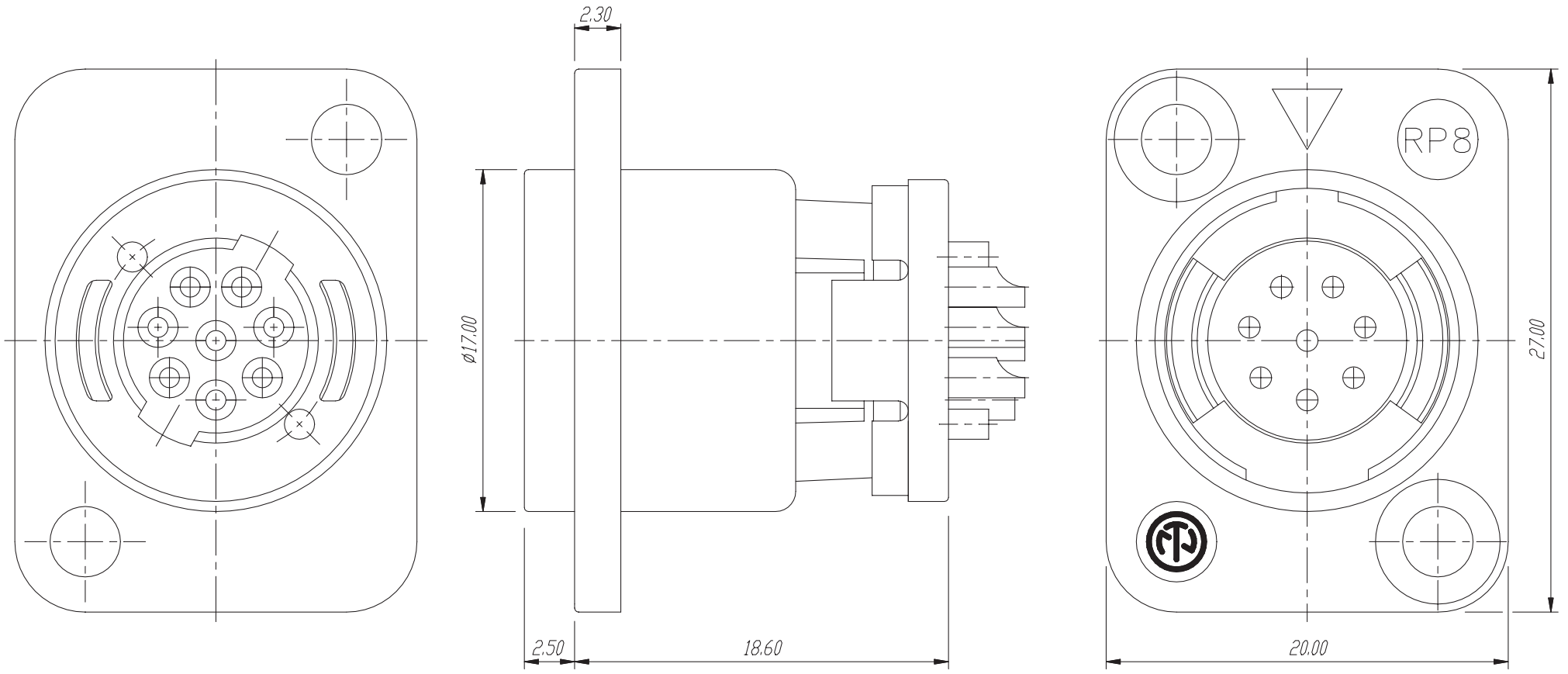


The Neutrik® connectors are designed for multipin / industrial applications in harsh and demanding environment. The very robust all metal circular connector offers easy and screwless assembly, flexible part combination and a push pull locking mechanism.

Female panel mount receptacle, consisting of nickel housing, insert and 8 solder contacts. 180° coding.

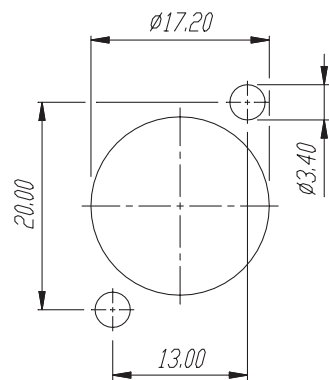
#### Features & Benefits

- Contact configuration can be selected from 1 to 8 contacts.
- Easy assembly: Contact soldering in disassembled condition avoids awkward wiring of high density contacts.
- Precise and robust all metal housing.
- Push-pull self-locking system.



Frontplattenausschnitt (Rückseite)

Panel cut out (rear side) M2:1



Ind.	Aenderung	Datum	Name	Werkstoff:	Maßstab:	Gezeichnet	Datum	Name
				*)Lieferant darf ohne Ruecksprache nicht gesendert werden	5:1	19.11.02		Battlogg
					2:1			
				Zeichnung urheberrechtlich geschuetzt (DIN 34) (C)		Gesehen		
				Benennung: Neutricon □RP8F			Ersetzt durch:	Blatt
							Ersatz fuer:	von Blatt
				<b>NEUTRIK AG</b> FL-9494 SCHAAN			Zeichn. Nr.	3102 St 19 22

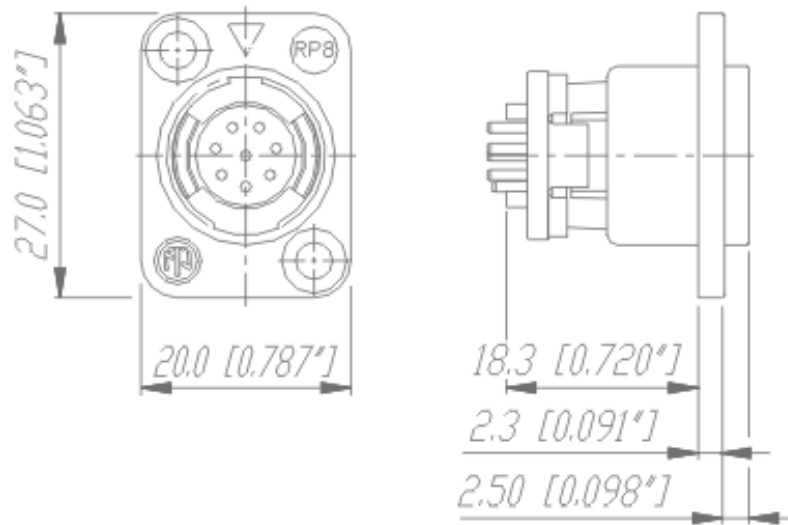


# Neutricon® Connectors



Industry

## ORP8F-NI



There are no technical infos for this product.

Product	
Connector Type	Neutricon
Gender	female
Electrical	
Contact resistance	$\leq 5 \text{ m}\Omega$
Dielectric strength	1,5 kVdc
Insulation resistance	$> 0.5 \text{ G}\Omega$ (after damp heat test IEC 68-2-30)
Rated current per contact	7,5 A
Rated voltage	50 V
Mechanical	
Cable retention force	$> 50 \text{ N}$
Insertion force	$< 25 \text{ N}$
Lifetime	$> 1000$ mating cycles
Wire size	1 mm <sup>2</sup>
Wire size	18 AWG
Wiring	solder contacts
Locking device	Push-Pull
Mounting direction	front

Chassis shape D

### Material

Contact plating 0.3 µm Au hard alloy over 2 µm Ni

Contacts Brass (CuZn35Pb2)

Insert PBTP 15 % GR

Shell Zinc diecast (ZnAl4Cu1)

Shell plating Nickel

### Environmental

Flammability UL 94 HB

Protection class IP 5X

Solderability Complies with IEC 68-2-20

Temperature range -30 °C to +80 °C

### Optical

### Mobile Cables