



 [Deutsche Version](#)

- [Home](#)
- [About Us](#)
- [Products](#)
- [Support](#)
- [News](#)
- [Sitemap](#)

[Search](#)

[Products only](#)

© Neutrik® AG
All rights reserved
[Legal Notices](#)



Audio

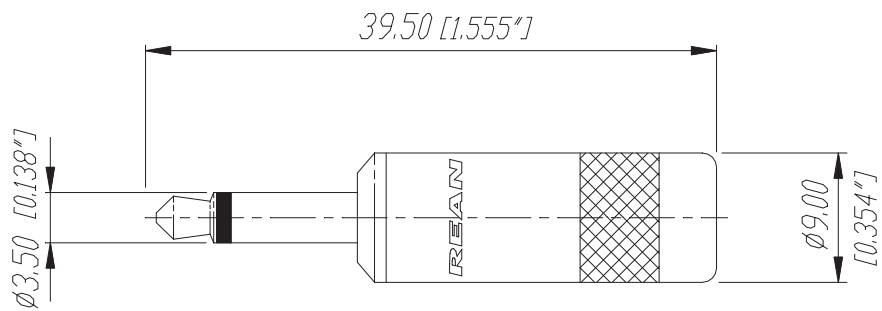
NYS 3.5 mm Plugs

[back](#)

[Print](#)

NYS226G

3.5 mm plug, 2-pole, metal handle with crimp strain relief, gold contacts



| | | | | | | | | | |
|------|-----------|-------|------|---|-------------------|----------|------------|----------------|---------------|
| | | | | | Werkstoff: | Maßstab: | | Datum | Name |
| | | | | *Lieferant darf ohne Ruecksprache nicht geändert werden | | 1:1 | Gezeichnet | 04.04.02 | Battlogg |
| | | | | Zeichnung urheberrechtlich geschuetzt (DIN 34) (C) | | | Geprueft | | |
| | | | | Benennung: | 3.5 mm Mono Plugs | | | Ersetzt durch: | Blatt |
| | | | | | NYS 226 | | | Ersatz fuer: | von Blatt |
| | | | | | REAN | | | Zeichn. Nr. | 3102 ST 22 66 |
| Ind. | Aenderung | Datum | Name | | | | | | |



NYS 3.5 mm Plugs



NYS226G

There are no technical infos for this product.

| Product | |
|---------------------------|------------------------------|
| Electrical | |
| Contact resistance | < 10 mΩ |
| Dielectric strength | 0,5 kVdc |
| Rated current per contact | depends on mated connector A |
| Mechanical | |
| Cable O.D. | ≤ 4 mm |
| Material | |
| Contact plating | 0.2 μm Au |
| Contacts | CuZn39Pb3 |
| Insert | PA 66 30 % GR |
| Shell | CuZn39Pb3 gal 2 μm Ni plated |
| Environmental | |
| Solderability | Complies with IEC 68-2-20 |
| Temperature range | -20 °C to +70 °C |
| Optical | |
| Mobile Cables | |