



 Deutsche
Version

[Home](#)
[About Us](#)
[Products](#)
[Support](#)
[News](#)
[Sitemap](#)

[Search](#)

[Products only](#)

© Neutrik® AG
All rights reserved
[Legal Notices](#)



Audio

3.5 mm Tiny Plug

[back](#)

[Print](#)

NTP3RC-B

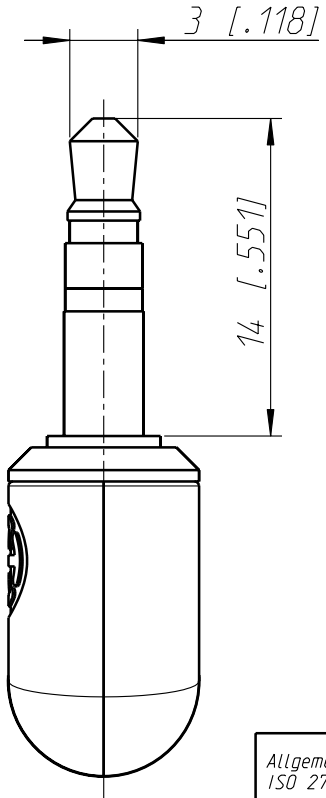
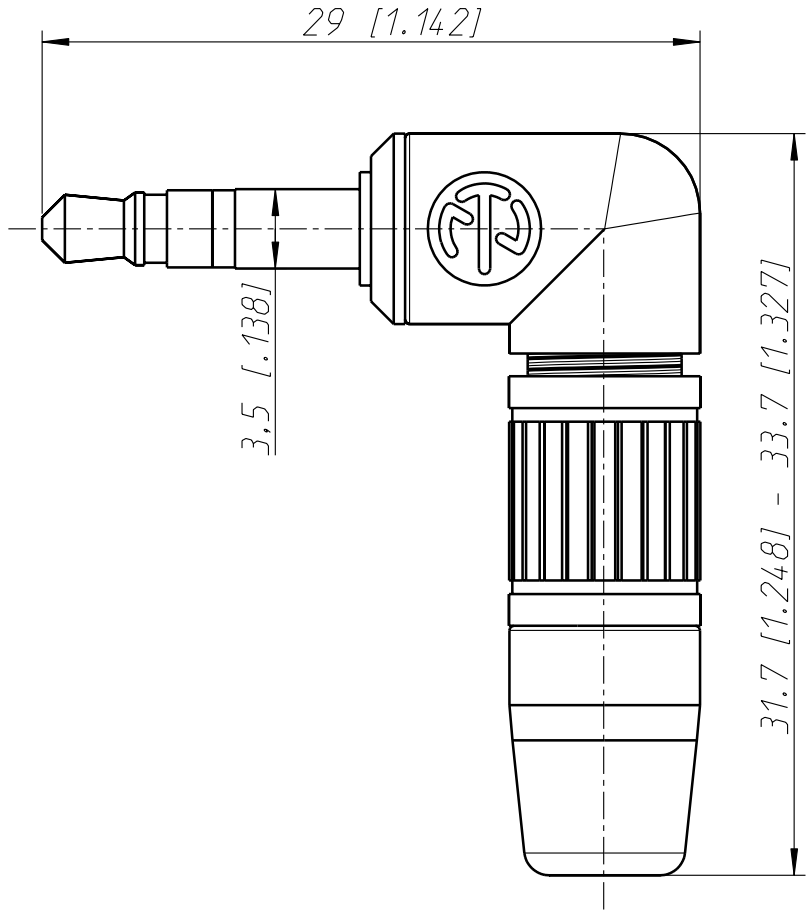
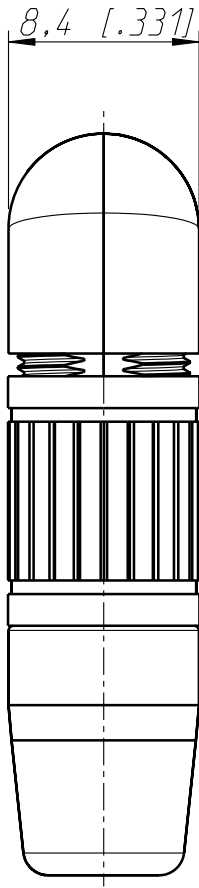


3 pole 3.5 mm audio plug, solder termination, chuck type strain relief, bushing, black housing, gold contacts

The only right-angled metal bodied 3.5 mm jack plug with chuck type strain relief for secure cable retention. It accepts cables from 2.0 to 4.5 mm.

Features & Benefits

- All metal housing - robust and reliable
- Chuck type cable clamp and rubber gland - excellent cable protection
- Slim design - space saving



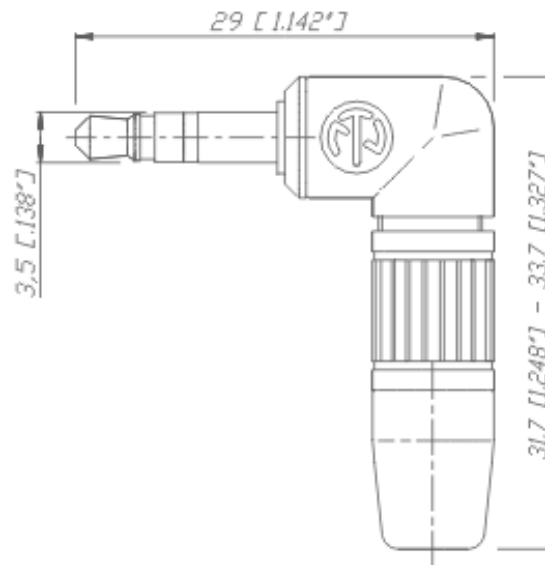
Allgemeintoleranzen ISO 2768-m	Werkstoff -	Massstab: 3:1 (A4)	Datum	Name
			Gezeichnet	30.01.03
Zeichnung urheberrechtlich geschuetzt (DIN 34) (C)	-	-	Freigegeben	-
	-	-	Geaendert	-
Benennung NTP3RC NTP3RC	Aend.-Nr.		Aend.-Index	
	-		-	
Ersatz fuer:			Blatt 1 von 1 Bl.	
Zeichn. Nr.			ST-NTP3RC	
NEUTRIK AG FL-9494 SCHAAN				



3.5 mm Tiny Plug



NTP3RC-B



There are no technical infos for this product.

Product	
Connector Type	Plug
Gender	male
Electrical	
Contact resistance	depends on mating connector mΩ
Dielectric strength	1 kVdc
Insulation resistance	> 2 GΩ (initial)
Insulation resistance	≥ 1 GΩ (after damp heat test)
Rated current per contact	≤ 15 A
Mechanical	
Cable O.D.	2 - 4.5 mm
Wire size	0,22 mm ²
Wire size	24 AWG
Wiring	Solder contacts
Material	
Bushing	CuZn39Pb3 + PU, black Cr
Contact plating	0.2 μm Au

Contacts	Brass (CuZn39Pb3)
Insert	Polyamide (PA 6.6 15 % GR)
Shell	Zinc diecast (ZnAl4Cu1)
Shell plating	Black chromium
Strain relief	Polyacetal (POM)

Environmental

Solderability	Complies with IEC 68-2-20
Temperature range	-20 °C to +65 °C

Optical

Mobile Cables