

[Deutsche  
Version](#)[Home](#)  
[About Us](#)  
[Products](#)  
[Support](#)  
[News](#)  
[Sitemap](#)[Search](#)[Products only](#)[© Neutrik® AG](#)  
[All rights reserved](#)  
[Legal Notices](#)

## NanoCon®

Industry

[back](#)[Print](#)

### NSC3M

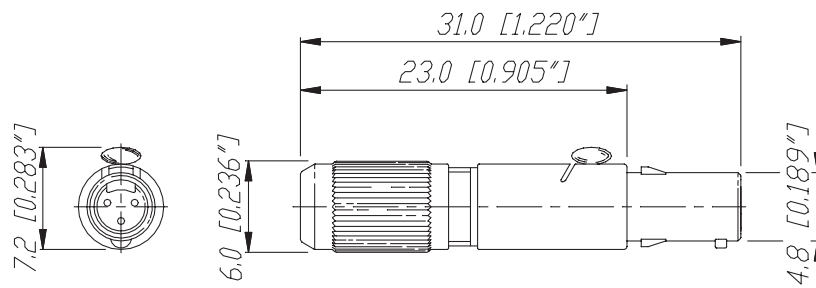


The NanoCon® is the smallest lockable 3-pole connector in the world. It offers a robust metal housing, a metal locking device, gold plated contacts and excellent cable retention.

Male cable connector, chuck type strain relief and solder contacts.

#### Features & Benefits

- World's smallest circular lockable multipole connector.
- Robust metal housing with gold plated contacts.
- Reliable and versatile in applications like medical equipment, control systems, sensors or audio applications such as miniature and wireless microphones and portable mixers.
- Pre-mating contact 1.



					Werkstoff:	Massstab:		Datum	Name
				*Lieferant darf ohne Ruecksprache nicht geaendert werden		2:1	Gezeichnet	18.11.02	Battlogg
				Zeichnung urheberrechtlich geschuetzt (DIN 34) (C)		1:1	Geprueft		
				Benennung:	Nanocon			Ersetzt durch:	Blatt
					NSC3M			Ersatz fuer:	von Blatt
					<b>NEUTRIK AG</b> FL-9494 SCHAAN			Zeichn. Nr.	
Ind.	Aenderung	Datum	Name						

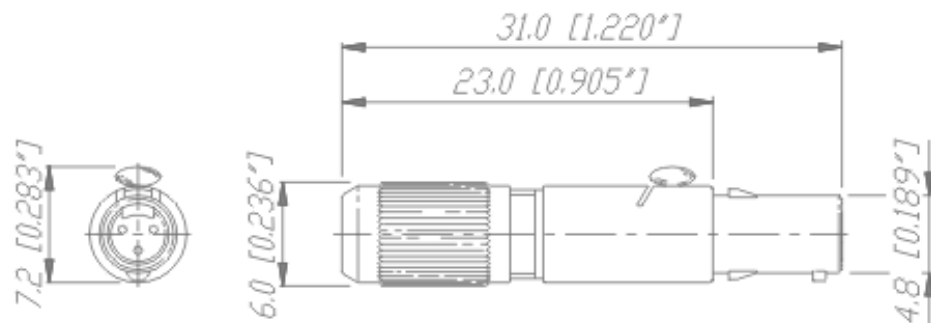


# NanoCon®



Industry

## NSC3M



There are no technical infos for this product.

### Product

Connector Type	NanoCon
Gender	male

### Electrical

Contact resistance	$\leq 12 \text{ m}\Omega$
Dielectric strength	1 kVdc
Insulation resistance	$> 1 \text{ G}\Omega$ (after damp heat test IEC 68-2-30)
Rated current per contact	2 A
Rated voltage	50 V

### Mechanical

Cable O.D.	max. 3.4 mm
Cable retention force	$> 20 \text{ N}$
Insertion force	$< 15 \text{ N}$
Lifetime	500 mating cycles
Wire size	$0.2 \text{ mm}^2 / 0.14 \text{ mm}^2$ (solid / stranded wire)
Wire size	24 AWG / 26 AWG
Wiring	solder contacts
Locking device	Latch lock

### Material

Contact plating	$0.5 \mu\text{m Au}$
Contacts	Brass (CuZn35Pb2)
Insert	PETP
Shell	CuSn4Pb4Zn4
Strain relief	Polyacetal (POM)

## Environmental

Flammability	UL 94 V-0
Protection class	IP 40
Solderability	Complies with IEC 68-2-20
Temperature range	-30 °C to +80 °C

## Optical

## Mobile Cables