

[Deutsche
Version](#)[Home](#)
[About Us](#)
[Products](#)
[Support](#)
[News](#)
[Sitemap](#)[Search](#)[Products only](#)[© Neutrik® AG](#)
[All rights reserved](#)
[Legal Notices](#)

Industry

NanoCon®[back](#)[Print](#)

NR3M-S

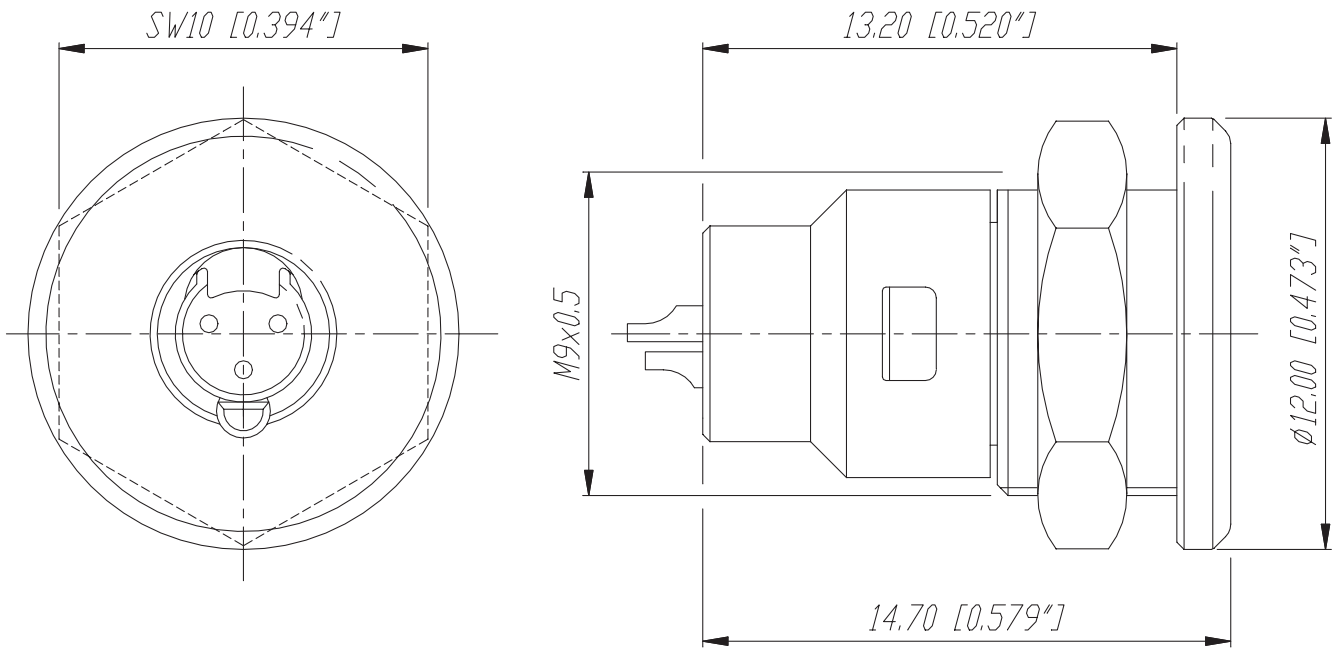


The NanoCon® is the smallest lockable 3-pole connector in the world. It offers a robust metal housing, a metal locking device and gold plated contacts.

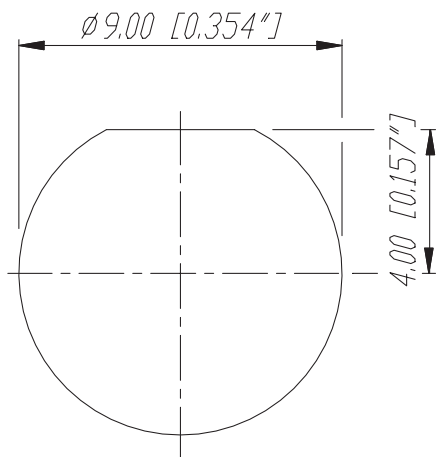
Male receptacle panel mount, solder contacts.

Features & Benefits

- World's smallest circular lockable multipole connector.
- Robust metal housing with gold plated contacts.
- Reliable and versatile in applications like medical equipment, control systems, sensors or audio applications such as miniature and wireless microphones and portable mixers.
- Pre-mating contact 1.



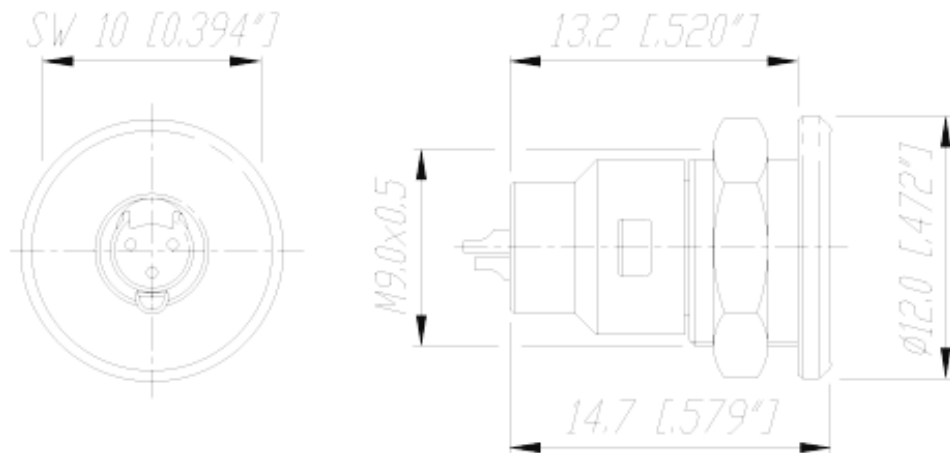
Frontplattenausschnitt (Rückseite)
Panel cut out (rear side)



					Werkstoff:	Maßstab:	Datum	Name
				*Lieferant darf ohne Ruecksprache nicht geändert werden		5:1	08.07.98	Alinjak
				Zeichnung urheberrechtlich geschuetzt (DIN 34) (C)				
				Benennung:	Nanocon NR3M-S		Ersetzt durch:	Blatt
							Ersatz fuer:	von Blatt
Ind.	Aenderung	Datum	Name	NEUTRIK AG FL-9494 SCHAAN			Zeichn. Nr.	3102 St 23 10



NR3M-S



There are no technical infos for this product.

Product

Connector Type	NanoCon
Gender	male

Electrical

Contact resistance	$\leq 12 \text{ m}\Omega$
Dielectric strength	1 kVdc
Insulation resistance	$> 1 \text{ G}\Omega$ (after damp heat test IEC 68-2-30)
Rated current per contact	2 A
Rated voltage	50 V

Mechanical

Cable retention force	$> 20 \text{ N}$
Insertion force	$< 15 \text{ N}$
Lifetime	500 mating cycles
Wire size	$0.2 \text{ mm}^2 / 0.14 \text{ mm}^2$ (solid / stranded wire)
Wire size	24 AWG / 26 AWG
Wiring	solder contacts
Locking device	Latch lock
Mounting direction	front

Chassis shape 9 mm

Material

Contact plating 0.5 µm Au

Contacts Brass (CuZn35Pb2)

Insert PETP

Shell Brass (CuZn39Pb2)

Environmental

Flammability UL 94 V-0

Protection class IP 40

Solderability Complies with IEC 68-2-20

Temperature range -30 °C to +80 °C

Optical

Mobile Cables