

[Deutsche
Version](#)[Home](#)
[About Us](#)
[Products](#)
[Support](#)
[News](#)
[Sitemap](#)[Search](#)[Products only](#)[© Neutrik® AG](#)
[All rights reserved](#)
[Legal Notices](#)

Industry

NanoCon®[back](#)[Print](#)

NR3F-S

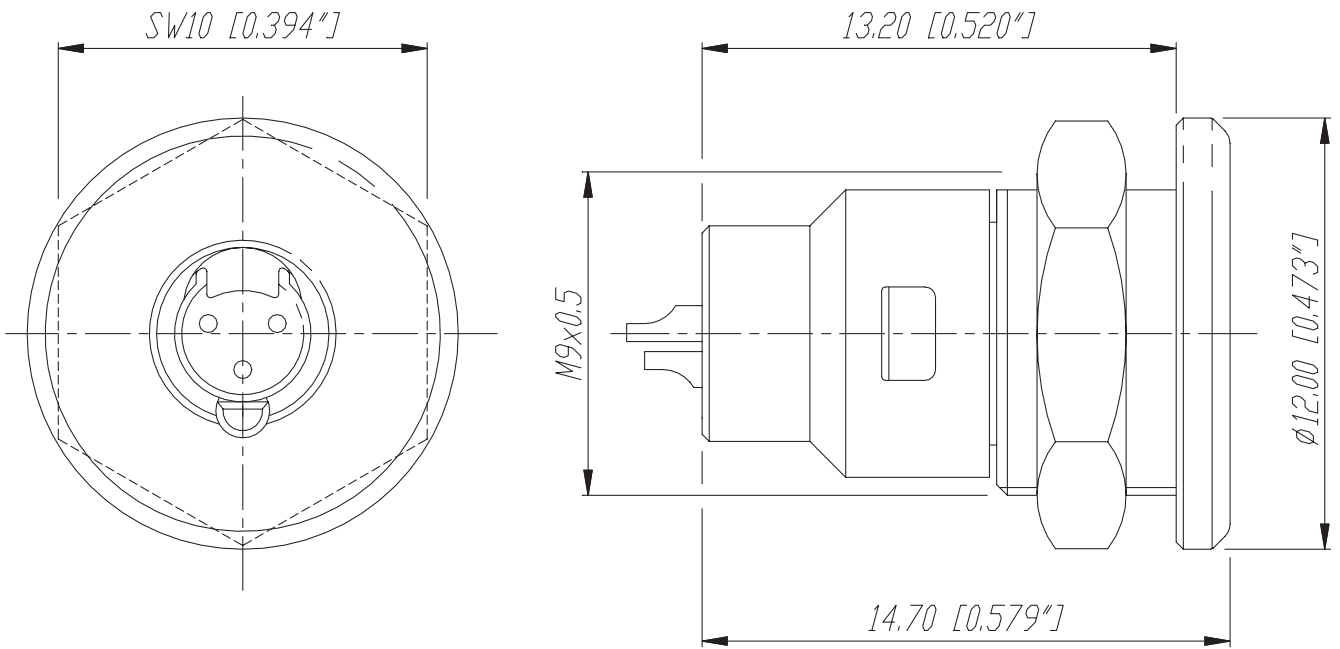


The NanoCon® is the smallest lockable 3-pole connector in the world. It offers a robust metal housing, a metal locking device and gold plated contacts.

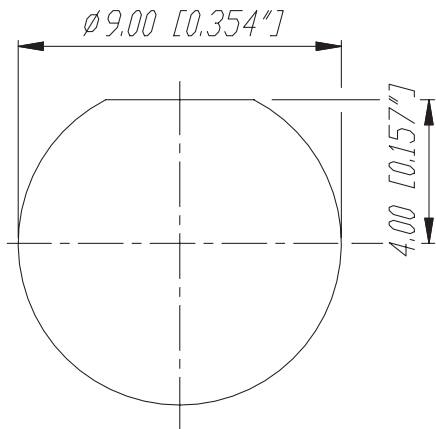
Female receptacle panel mount, solder contacts.

Features & Benefits

- World's smallest circular lockable multipole connector.
- Robust metal housing with gold plated contacts.
- Reliable and versatile in applications like medical equipment, control systems, sensors or audio applications such as miniature and wireless microphones and portable mixers.
- Pre-mating contact 1.



Frontplattenausschnitt (Rückseite)
Panel cut out (rear side)



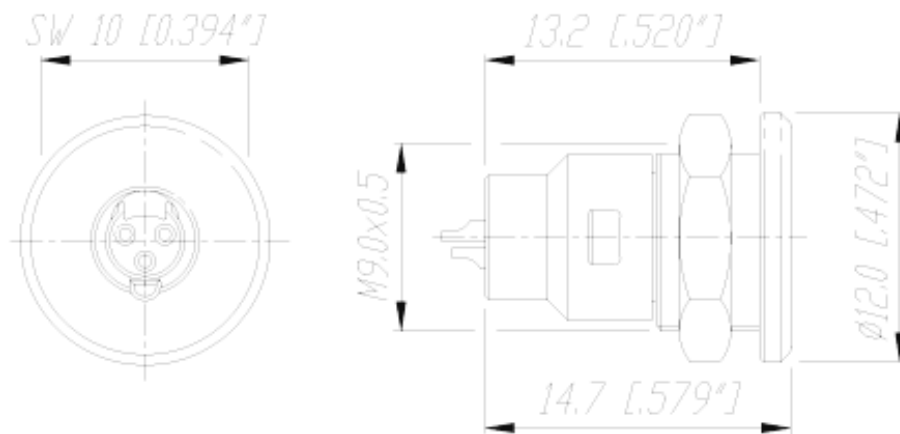
					Werkstoff:	Maßstab:		Datum	Name
				*Lieferant darf ohne Ruecksprache nicht geaendert werden		5:1	Gezeichnet	07.07.98	Alinjak
				Zeichnung urheberrechtlich geschuetzt (DIN 34) (C)			Geprueft		
				Benennung:	Nanocon			Ersetzt durch:	Blatt
					NR3F-S			Ersatz fuer:	von Blatt
					NEUTRIK AG FL-9494 SCHAAN			Zeichn. Nr.	3102 St 23 09
Ind.	Aenderung	Datum	Name						



NanoCon®

Industry

NR3F-S



There are no technical infos for this product.

Product

Connector Type	NanoCon
Gender	female

Electrical

Contact resistance	≤ 12 mΩ
Dielectric strength	1 kVdc
Insulation resistance	> 1 GΩ (after damp heat test IEC 68-2-30)
Rated current per contact	2 A
Rated voltage	50 V

Mechanical

Cable retention force	> 20 N
Insertion force	< 15 N
Lifetime	500 mating cycles
Wire size	0.2 mm ² / 0.14 mm ² (solid / stranded wire)
Wire size	24 AWG / 26 AWG
Wiring	solder contacts
Locking device	Latch lock
Mounting direction	front
Chassis shape	9 mm

Material

Contact plating	0.5 µm Au
Contacts	Brass (CuZn35Pb2)
Insert	PETP
Shell	Brass (CuZn39Pb2)

Environmental

Flammability	UL 94 V-0
Protection class	IP 40
Solderability	Complies with IEC 68-2-20
Temperature range	-30 °C to +80 °C

Optical**Mobile Cables**