



1/4" Prof. Phone Plugs, X-Series

Audio

[back](#)[Print](#)

NP2X



The heavy duty professional phone plug series improves on the design of the existing C series by offering the thinnest available A-gauge 1/4" plug with unique Neutrik chuck type strain relief on the market. The slimline shell with a width of 14.5 mm meets the most recent requirements for highest density jackfields (15.88mm jack pitch). The precise machined one-piece tip contact without rivets makes it unique and avoids hook up in a socket or break off the tip. The Plug X Series serves all applications such as guitar applications, audio cables, snakes, speakers, amplifiers and mixing desks.

1/4" professional phone plug, 2 pole, nickel contacts, nickel shell

Features & Benefits

- Extra slim 1/4" plug for highest packing density
- Robust diecast shell in stylish design
- Improved chuck type strain relief for reliable cable retention
- Sleek design for best handling convenience
- Precision machined one-piece contacts - avoid hook up of tip contact

ACCESSORIES

BPX-*

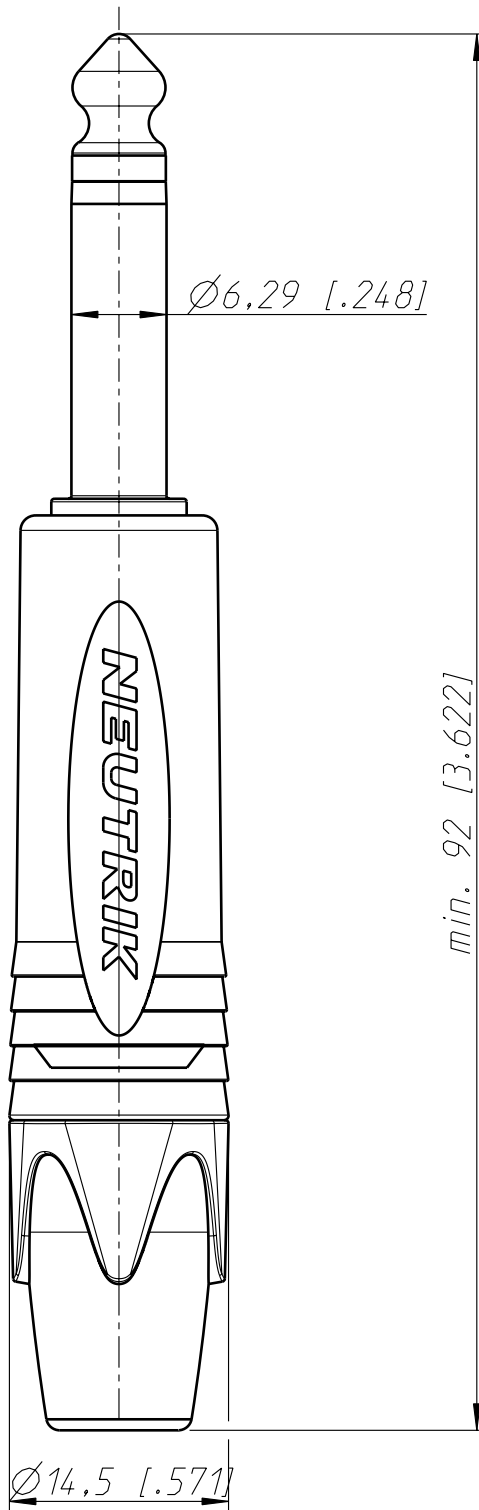


HTXP



PXR-*





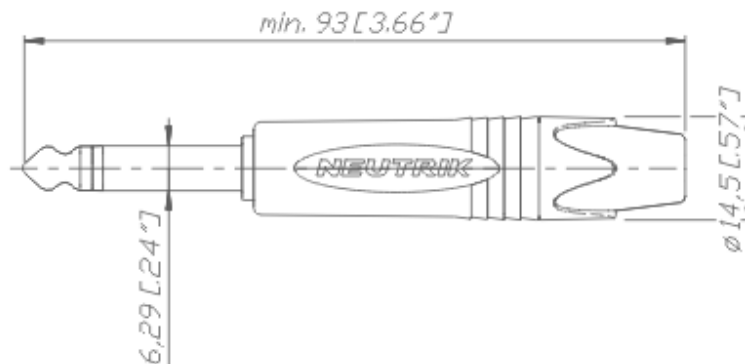
Allgemeintoleranzen ISO 2768-m	Werkstoff	Massstab:		Datum	Name
Zeichnung urheberrechtlich geschuetzt (DIN 34) (C)	-	2:1 (A4)	Gezeichnet	04.11.03	Mijatovic
Benennung	NP2X NP2X		Freigegeben	-	-
			Geaendert	-	-
			Aend.-Nr.		Aend.-Index
			-		-
			Ersatz fuer:		Blatt 1 von 1 Bl.
			Zeichn. Nr.		
NEUTRIK AG FL-9494 SCHAAN			ST-NP2X		



1/4" Prof. Phone Plugs, X-Series

Audio

NP2X



There are no technical infos for this product.

Product

Connector Type	Plug
Gender	male

Electrical

Contact resistance	depends on mating connector mΩ
Dielectric strength	1 kVdc
Insulation resistance	> 2 GΩ (initial)
Insulation resistance	≥ 1 GΩ (after damp heat test)
Rated current per contact	≤ 15 A

Mechanical

Cable O.D.	4 - 7 mm
Wire size	1 mm ²
Wire size	18 AWG
Wiring	Solder contacts

Material

Bushing	Polyacetal (POM) + PU
Contact plating	2 μm Ni (Su)
Contacts	Brass (CuZn39Pb3)
Insert	Polyamide (PA 6.6 30 % GR)
Shell	Zinc diecast (ZnAl4Cu1)
Shell plating	Nickel
Strain relief	Polyacetal (POM)

Environmental

Standard compliance	IEC 60603-11 / EIA RS-453
---------------------	---------------------------

Solderability Complies with IEC 68-2-20

Temperature range -20 °C to +65 °C

Optical

Mobile Cables