



1/4" Prof. Phone Plugs, X-Series

Audio

[back](#)[Print](#)

NP2RX-B



The heavy duty professional phone plug series improves on the design of the existing C series by offering the thinnest available A-gauge 1/4" plug with unique Neutrik chuck type strain relief on the market. The slimline shell with a width of 14.5 mm meets the most recent requirements for highest density jackfields (15.88mm jack pitch). The precise machined one-piece tip contact without rivets makes it unique and avoids hook up in a socket or break off the tip. The Plug X Series serves all applications such as guitar applications, audio cables, snakes, speakers, amplifiers and mixing desks.

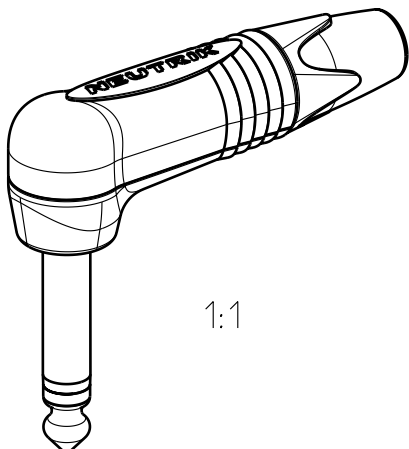
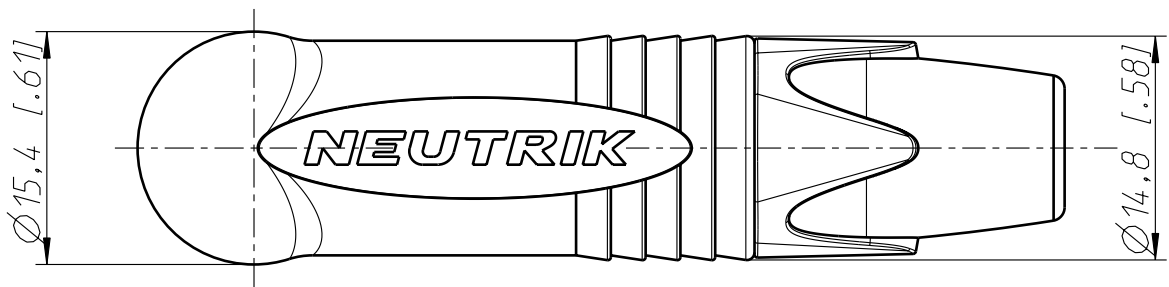
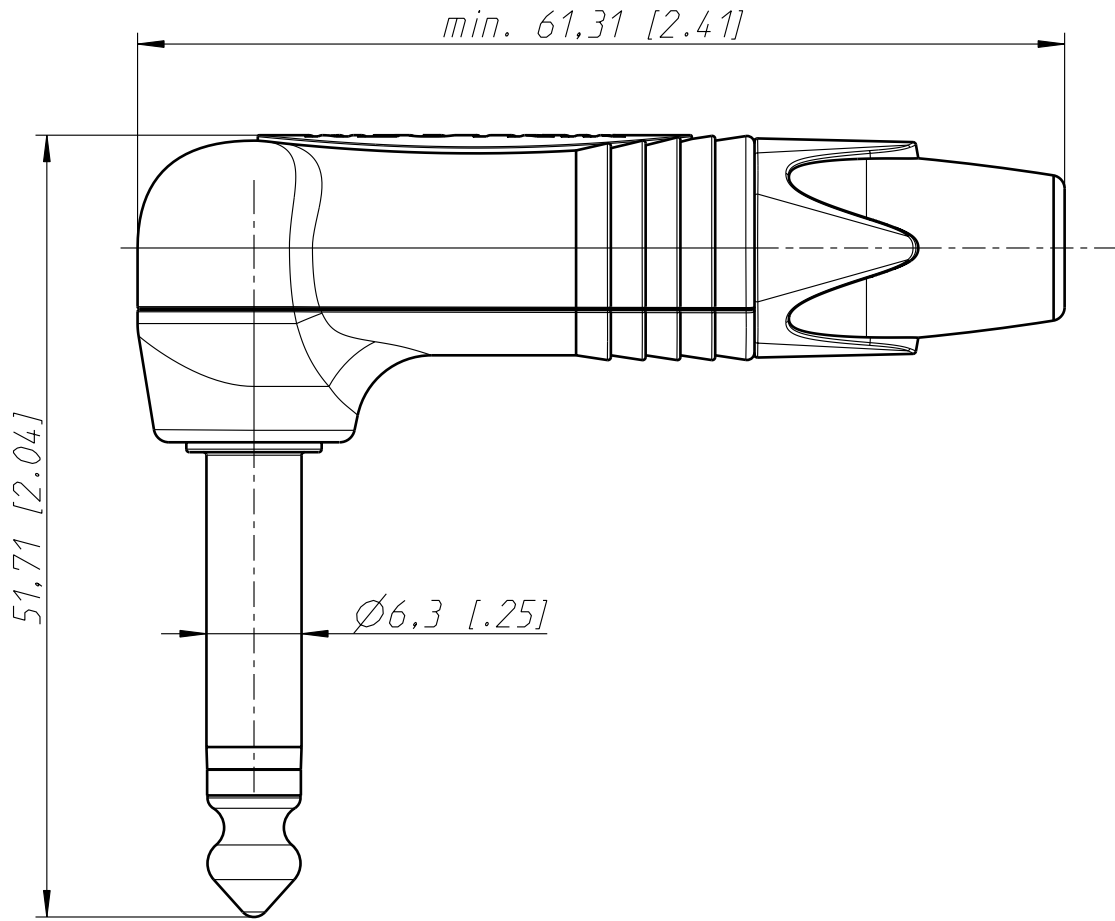
2 pole 1/4" professional right-angle phone plug, gold contacts, black shell

Features & Benefits

- All metal housing eliminates the plastic cover of the predecessor NP*RCS and improves further durability and EMI protection
- Extra slim 1/4" plug for highest packing density
- Robust diecast shell in stylish design
- Improved chuck type strain relief for reliable cable retention
- Sleek design for best handling convenience
- Precision machined one-piece contacts - avoid hook up of tip contact

ACCESSORIES





1:1

Allgemeintoleranzen ISO 2768-m	Werkstoff KEIN_MAT	Massstab: 2:1 (A4)	Datum	Name
			Gezeichnet	29.03.06
Zeichnung urheberrechtlich geschuetzt (DIN 34) (C)	-		Freigegeben	-
			Geaendert	-
Benennung Plugs NP2RX			Aend.-Nr.	Aend.-Index
			-	-
NEUTRIK AG FL-9494 SCHAAN			Ersatz fuer:	Blatt 1 von 1 Bl.
			Zeichn. Nr.	ST-NP2RX



1/4" Prof. Phone Plugs, X-Series

Audio

NP2RX-B

There are no technical infos for this product.

Product	
Connector Type	Plug
Gender	male
Electrical	
Contact resistance	depends on mating connector mΩ
Dielectric strength	1 kVdc
Insulation resistance	> 2 GΩ (initial)
Insulation resistance	≥ 1 GΩ (after damp heat test)
Rated current per contact	≤ 15 A
Mechanical	
Cable O.D.	4 - 7 mm
Wire size	1 mm ²
Wire size	18 AWG
Wiring	Solder contacts
Material	
Bushing	Polyacetal (POM) + PU
Contact plating	0.2 μm Au
Contacts	Brass (CuZn39Pb3)
Insert	Polyamide (PA 6.6 30 % GR)
Shell	Zinc diecast (ZnAl4Cu1)
Shell plating	Black chromium
Strain relief	Polyacetal (POM)
Environmental	
Standard compliance	IEC 60603-11 / EIA RS-453
Solderability	Complies with IEC 68-2-20
Temperature range	-20 °C to +65 °C
Optical	
Mobile Cables	