



Deutsche Version

- Home
- About Us
- Products
- Support
- News
- Sitemap

Search

Products only

© Neutrik® AG  
 All rights reserved  
 Legal Notices



[back](#)

[Print](#)

## NP2RX-AU-SILENT



2 pole right angle 1/4" professional phone plug, gold plated contacts, red coating, silent switch

Special version of 2 pole plug with integrated switch which automatically mutes (shorts) a guitar cable to avoid annoying pops and squeals when hot swapping guitars. The integrated silent switch is based on the REED technology and guarantees a lifetime beyond 10'000 mating cycles.

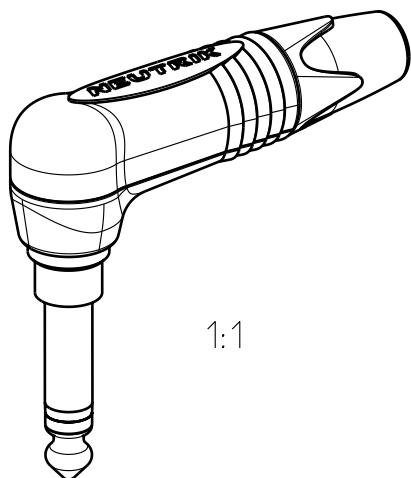
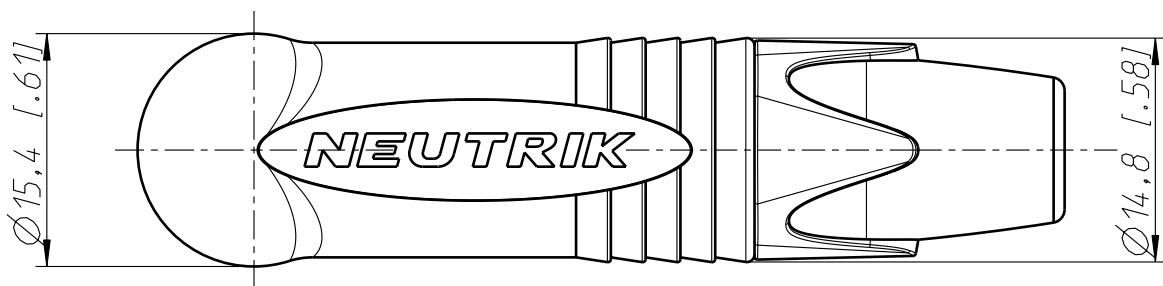
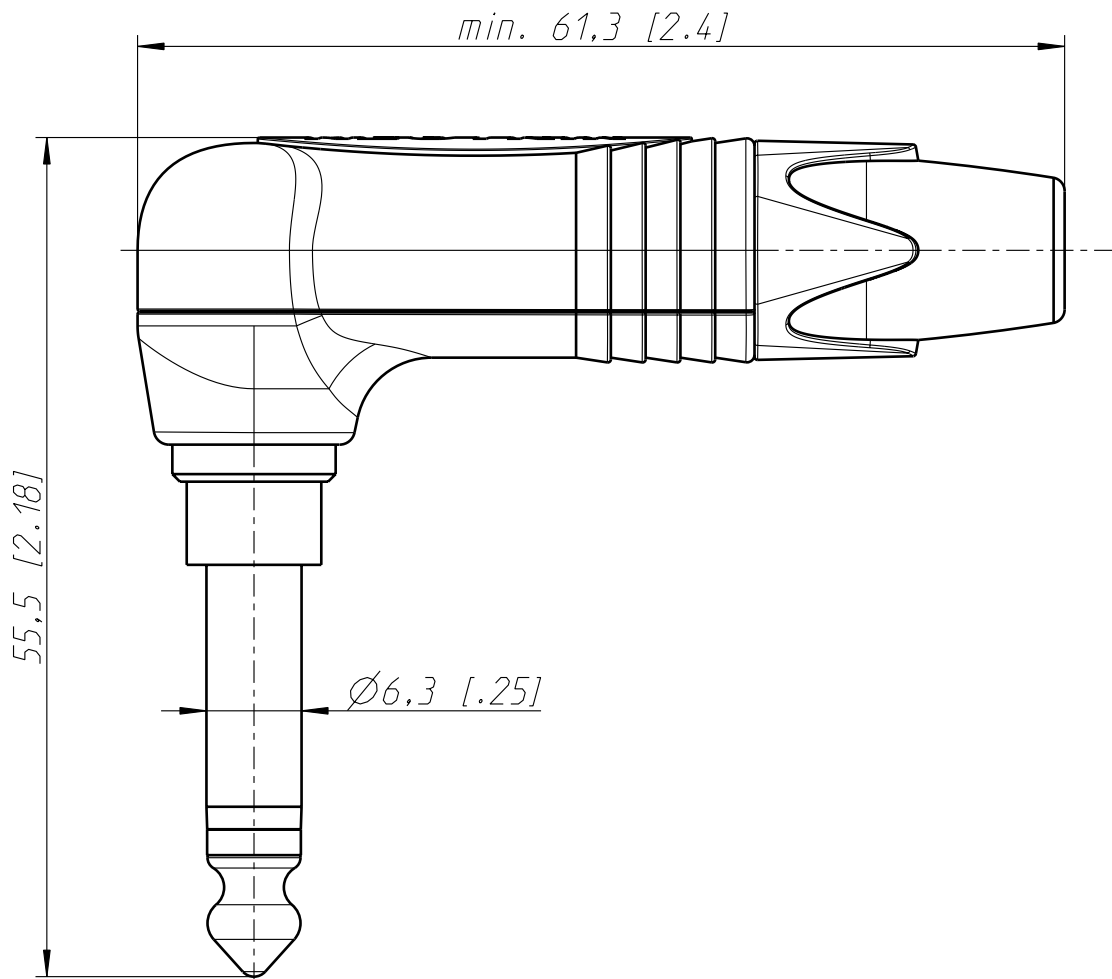
### Features & Benefits

- Hermetically sealed and magnetically operated switch
- No wear, constant contact resistance
- No corrosion or pollution of switch, durable and long-lasting
- Lifetime beyond 10'000 mating cycles

Please note that the signal isn't muted with active electric bass guitars which have a tip-ring-sleeve tap to activate the power supply.

### ACCESSORIES





1:1

Allgemeintoleranzen ISO 2768-m	Werkstoff KEIN_MAT	Massstab: 2:1 (A4)	Gezeichnet	29.03.06	jutz b
			Freigegeben	-	-
Zeichnung urheberrechtlich geschuetzt (DIN 34) (C)	-		Geaendert	-	-
			Aend.-Nr.	-	Aend.-Index -
Benennung Plugs NP2RX-AU-SILENT			Ersatz fuer:	Blatt 1 von 1 Bl.	
NEUTRIK AG FL-9494 SCHAAN			Zeichn. Nr.	ST-NP2RX-AU-SILENT	



Audio

## Silent Plug

### NP2RX-AU-SILENT

There are no technical infos for this product.

#### Product

Connector Type	Plug
Gender	male

#### Electrical

Contact resistance	depends on mating connector mΩ
Dielectric strength	1 kVdc
Insulation resistance	> 2 GΩ (initial)
Insulation resistance	≥ 1 GΩ (after damp heat test)
Rated current per contact	≤ 15 A

#### Mechanical

Cable O.D.	4 - 7 mm
Wire size	1 mm <sup>2</sup>
Wire size	18 AWG
Wiring	Solder contacts

#### Material

Bushing	Polyacetal (POM) + PU
Contact plating	0.2 μm Au
Contacts	Brass (CuZn39Pb3)
Insert	Polyamide (PA 6.6 30 % GR)
Shell	Zinc diecast (ZnAl4Cu1)
Shell plating	Partly red coated, black chromium plated
Strain relief	Polyacetal (POM)

#### Environmental

Standard compliance	IEC 60603-11 / EIA RS-453
Solderability	Complies with IEC 68-2-20
Temperature range	-20 °C to +65 °C

#### Optical

#### Mobile Cables