



 Deutsche
Version

[Home](#)
[About Us](#)
[Products](#)
[Support](#)
[News](#)
[Sitemap](#)

[Search](#)

[Products only](#)

© Neutrik® AG
All rights reserved
[Legal Notices](#)



Audio

M-Line

[back](#)

[Print](#)

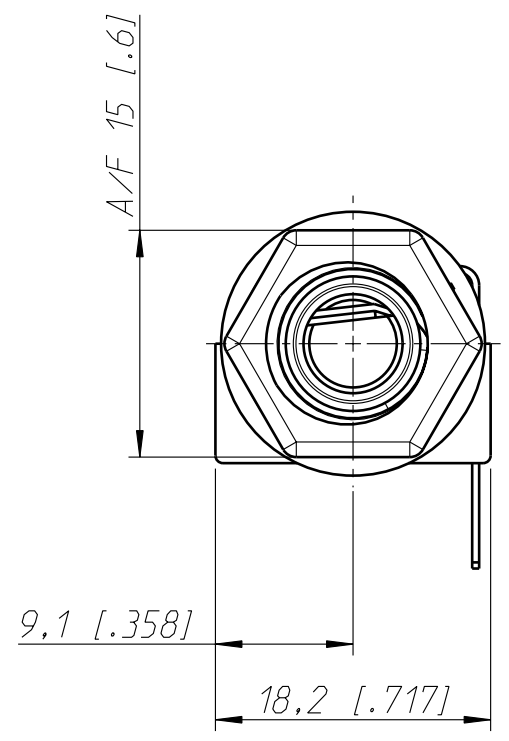
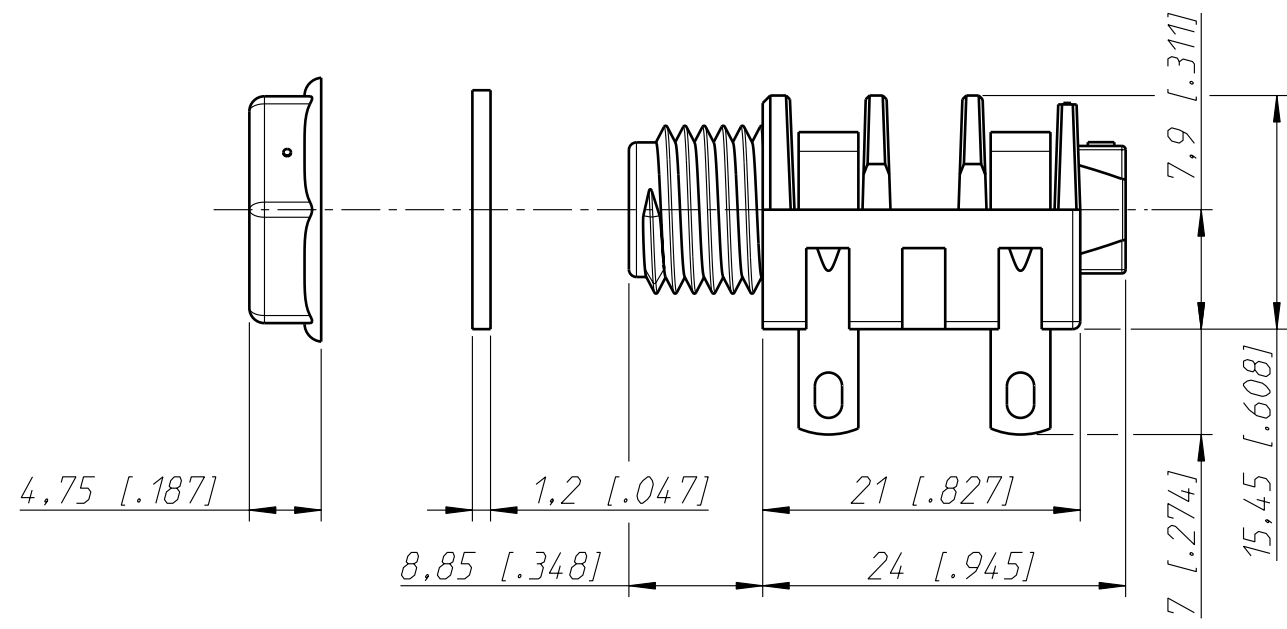
NMJ2HF-S

1/4" mono jack, unswitched, with a full threaded nose and standard solder lugs

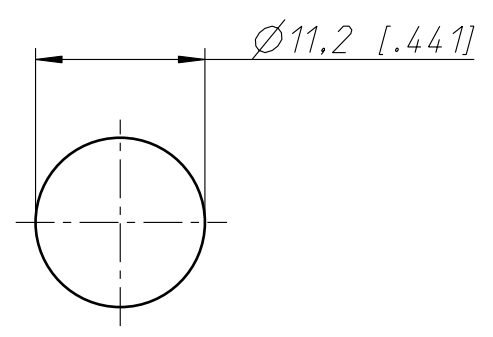
Mounting nut included

Features & Benefits

- Wide body and extremely durable contacts
- Mates with all mono A-gauge plugs acc. EIA RS-453 standard



Frontplattenausschnitt (Rückseite)
Panel cut out (rear side)



Allgemeintoleranzen ISO 2768-m	Werkstoff KEIN_MAT	Massstab: 2:1 (A3)	Gezeichnet	04.02.03	Ender
			Freigegeben	-	-
Zeichnung urheberrechtlich geschützt (DIN 34) (C)	-		Geaendert	-	-
			Aend.-Nr.	-	Aend.-Index -
Benennung M Jack NMJ2HF-S			Ersatz fuer:	Blatt 1 von 1 Bl.	
NEUTRIK AG FL-9494 SCHAAN			Zeichn. Nr. ST-NMJ2HF-S		



Audio

M-Line

NMJ2HF-S

There are no technical infos for this product.

Product

Connector Type	Jack
Gender	female

Electrical

Contact resistance	< 15 mΩ
Dielectric strength	1 kVdc
Insulation resistance	≥ 1 GΩ @ 500 V dc
Rated current per contact	3 A

Mechanical

Insertion force	< 20 N
Withdrawal force	< 10 N
Lifetime	> 10000 mating cycles
Panel thickness	< 3 mm
Wiring	Horizontal PCB mount
Locking device	retention spring
Mounting direction	rear
Chassis shape	11.2 mm

Material

Cap / Nut / Washer	PA 6.6 15% GR
Contacts	Nickel-Silver
Shell	Polyamide (PA 6.6 15 % GR)

Environmental

Standard compliance	EIA RS 453, IEC 60603-11
Solderability	Complies with IEC 68-2-20
Temperature range	-25 °C to +70 °C

Optical

Mobile Cables