



 Deutsche  
Version

[Home](#)  
[About Us](#)  
[Products](#)  
[Support](#)  
[News](#)  
[Sitemap](#)

[Search](#)

[Products only](#)

© Neutrik® AG  
All rights reserved  
[Legal Notices](#)



## STX Series

Audio

[back](#)

[Print](#)

### NLT4MP



4 pole male chassis connector, metal housing, solder or 1/4" flat tabs

The new STX Series is the next generation of 4 pole Speakon connectors especially designed for amplifier-loudspeaker applications in harsh and demanding environments such as professional touring. The extremely rugged and durable STX Series feature an all metal housing and a built-in gasket providing weatherproof protection to IP54. The 4 pole version is now available as 4 gender system including male cable and female chassis connector.

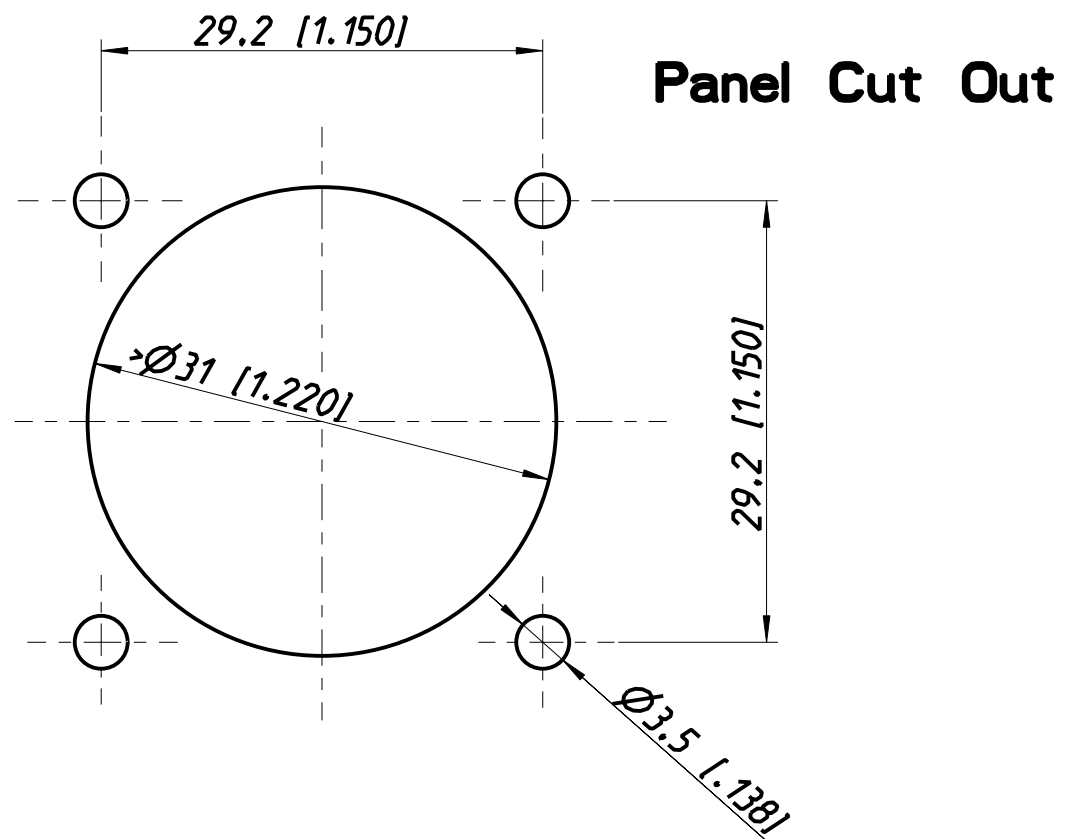
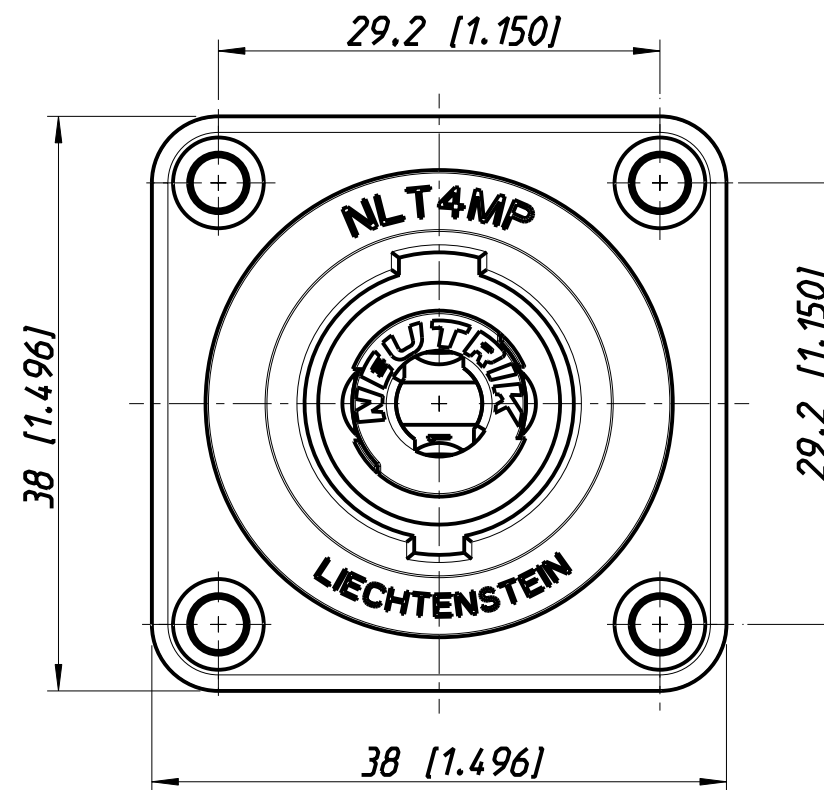
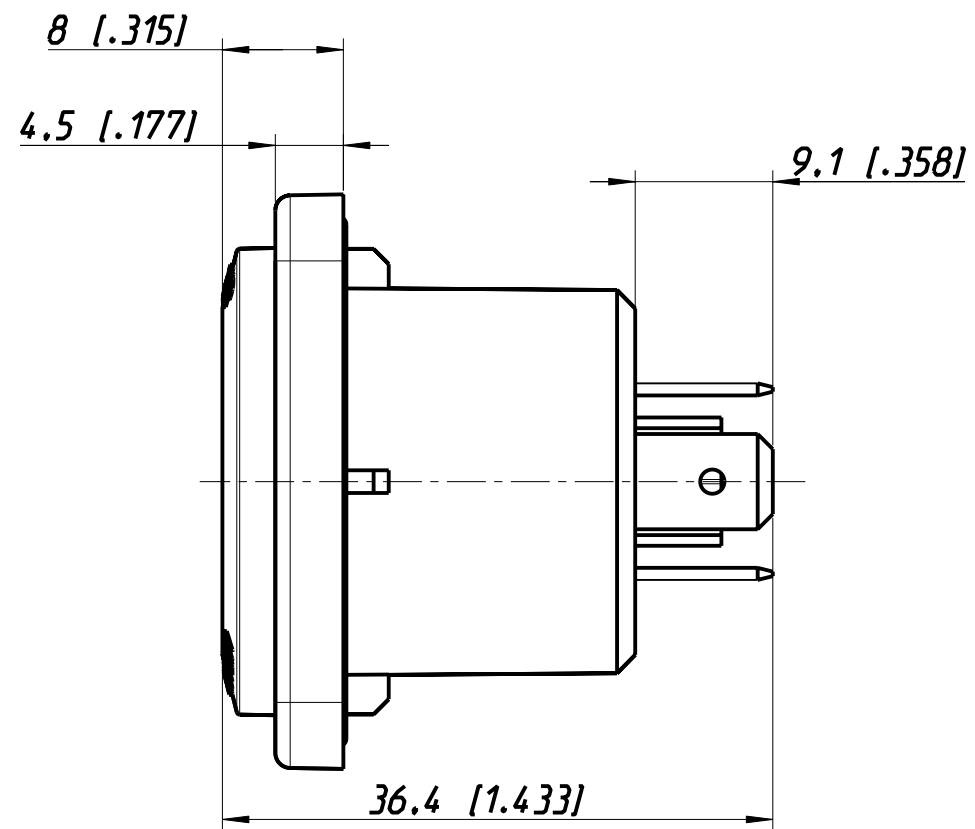
#### Features & Benefits

- Current rating 40 Amp continuous, 50 Amp audio with 50% duty cycle
- Robust and durable all metal housing
- Sealing ring provides weatherproof IP54 rating
- Reinforced metal quick lock system for ease and precise locking
- Mate with all available Speakon products

#### ACCESSORIES

SCL

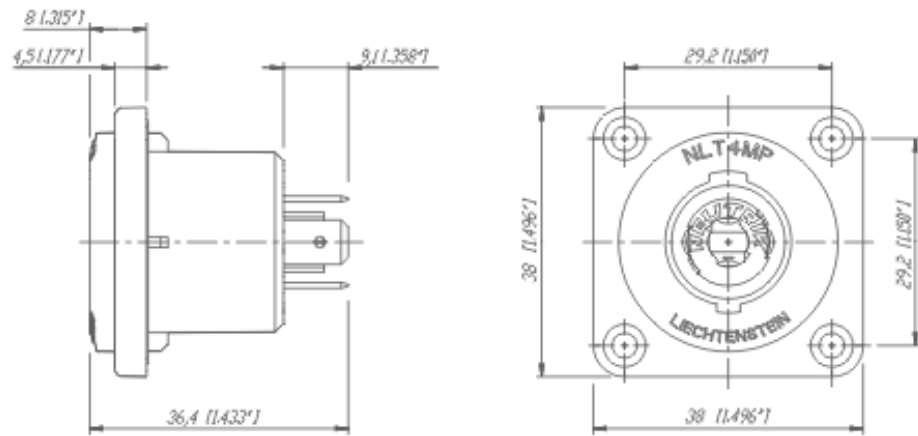




Allgemeintoleranzen ISO 2768-m	Werkstoff	Maßstab:	Datum	Name
Zeichnung urheberrechtlich geschützt (DIN 34) (C)	-	2:1 (A3)	Gezeichnet	06.09.01 Dobler
			Freigegeben	-
Benennung			Geändert	Hofmann Th.
- NL T4MP			Aend.-Nr. 137-2003	Aend.-Index C
			Ersatz fuer:	Blatt 1 von 1 Bl.
NEUTRIK AG FL-9494 SCHAAN			Zeichn. Nr.	ST-NL T4MP



## NLT4MP



There are no technical infos for this product.

### Product

Connector Type	Speakon
Gender	male

### Electrical

Contact resistance	< 2 mΩ (after lifetime)
Dielectric strength	4 kVdc (peak)
Insulation resistance	> 10 GΩ (after dampheat)
Rated current per contact	40 A rms continuous
Rated current per contact	50 A audiosignal, duty cycle 50 %
Rated voltage	250 V (Insulation)

### Mechanical

Lifetime	> 5000 mating cycles
Wiring	flat tabs for 1/4" FASTON® (6.3 x 0.8 mm)
Locking device	Quick Lock
Mounting direction	front & rear
Chassis shape	square G-size flange
Layout	four thru holes

### Material

Contact plating	4 μm Ag
Contacts	Spring Copper (CuSn0.2)

Insert	Polyamide (PA 6 30 % GR)
Shell	Zinc diecast (ZnAl4Cu1)
<b>Environmental</b>	
Approvals	UL,CSA
Flammability	UL 94 HB
Protection class	IP 54 (mated condition)
Solderability	Complies with IEC 68-2-20
Temperature range	-30 °C to +80 °C
<b>Optical</b>	
<b>Mobile Cables</b>	