



## STX Series

Audio

[back](#)[Print](#)

### NLT4FP

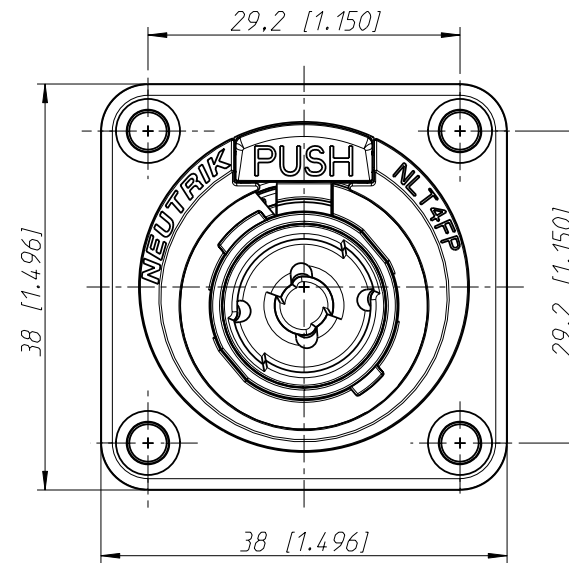
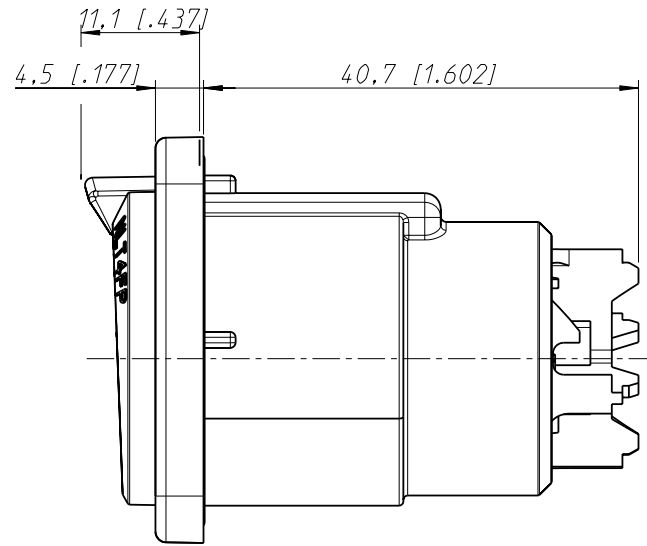


4 pole female chassis connector, metal housing, solder contacts

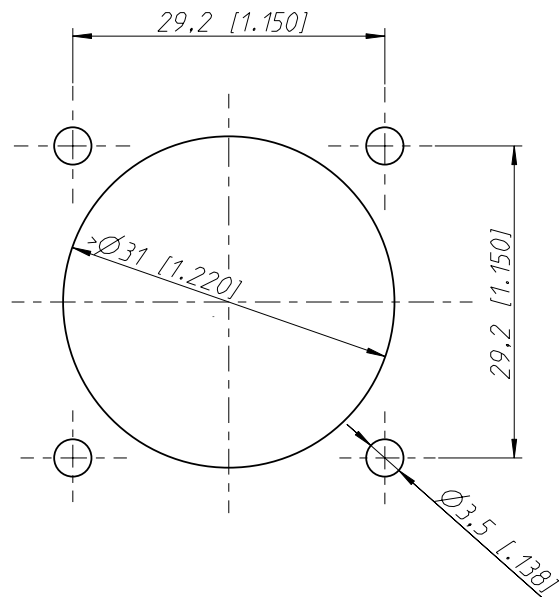
The new STX Series is the next generation of 4 pole Speakon connectors especially designed for amplifier-loudspeaker applications in harsh and demanding environments such as professional touring. The extremely rugged and durable STX Series feature an all metal housing and a built-in gasket providing weatherproof protection to IP54. The 4 pole version is now available as 4 gender system including male cable and female chassis connector.

#### Features & Benefits

- Current rating 40 Amp continuous, 50 Amp audio with 50% duty cycle
- Robust and durable all metal housing
- Sealing ring provides weatherproof IP54 rating
- Reinforced metal quick lock system for ease and precise locking
- Extra large solder contacts for up to 6mm<sup>2</sup> (AWG10) wires
- Mate with all available Speakon products



**Panel Cut Out**



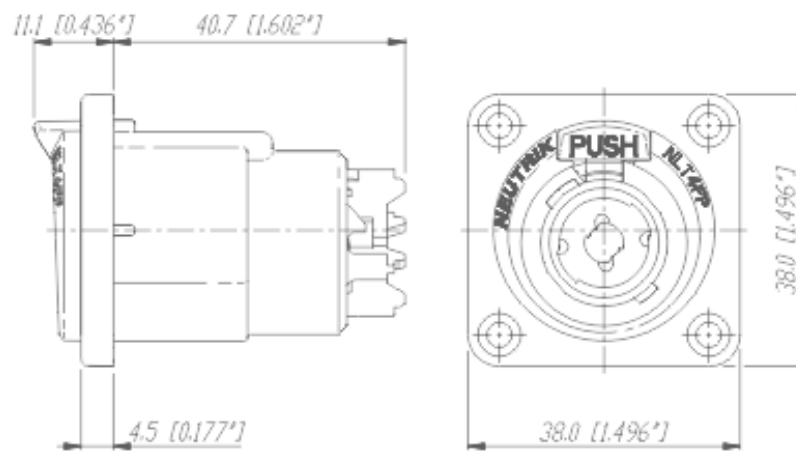
Allgemeintoleranzen ISO 2768-m	Werkstoff -	Massstab: 2:1 (A3)	Gezeichnet	19.12.01	Dobler
			Freigegeben	-	-
Zeichnung urheberrechtlich geschützt (DIN 34) (C)			Geaendert	15.03.03	Dobler
Benennung - NLT4FP			Aend.-Nr. 41-2003		Aend.-Index
			Ersatz fuer:		Blatt 1 von 1 Bl.
NEUTRIK AG FL-9494 SCHAAN			Zeichn. Nr. ST-NLT4FP		



## STX Series

Audio

### NLT4FP



There are no technical infos for this product.

#### Product

Connector Type	Speakon
Gender	female

#### Electrical

Contact resistance	< 2 m $\Omega$ (after lifetime)
Dielectric strength	4 kVdc (peak)
Insulation resistance	> 10 G $\Omega$ (after dampheat)
Rated current per contact	40 A rms continuous
Rated current per contact	50 A audiosignal, duty cycle 50 %
Rated voltage	250 V (Insulation)

#### Mechanical

Lifetime	> 5000 mating cycles
Wire size	6 mm <sup>2</sup>
Wire size	10 AWG
Wiring	Solder Contacts
Locking device	Quick Lock
Mounting direction	front & rear
Chassis shape	square G-size flange
Layout	four thru holes

#### Material

Contact plating	4 µm Ag
Contacts	Spring Copper (CuSn0.2)
Insert	Polyamide (PA 6 30 % GR)
Locking element	Zinc diecast (ZnAl4Cu1)
Shell	Zinc diecast (ZnAl4Cu1)

### Environmental

Approvals	UL,CSA
Flammability	UL 94 HB
Protection class	IP 54 (mated condition)
Solderability	Complies with IEC 68-2-20
Temperature range	-30 °C to +80 °C

### Optical

### Mobile Cables