



## Chassis Connectors



Audio

[back](#)

[Print](#)

### NL4MP



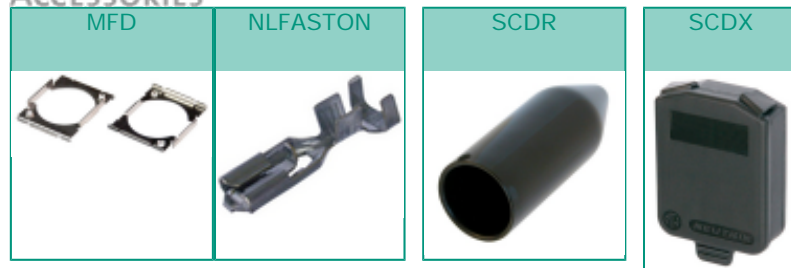
4 pole chassis connector, black D-size flange, countersunk thru holes, 3/16" flat tabs

The state-of-the-art chassis connector for loudspeaker / amplifier applications. They feature a unique locking system, robust plastic housing and high current silver plated contacts.

#### Features & Benefits

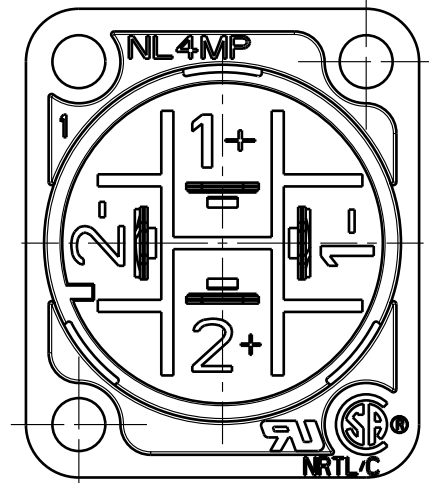
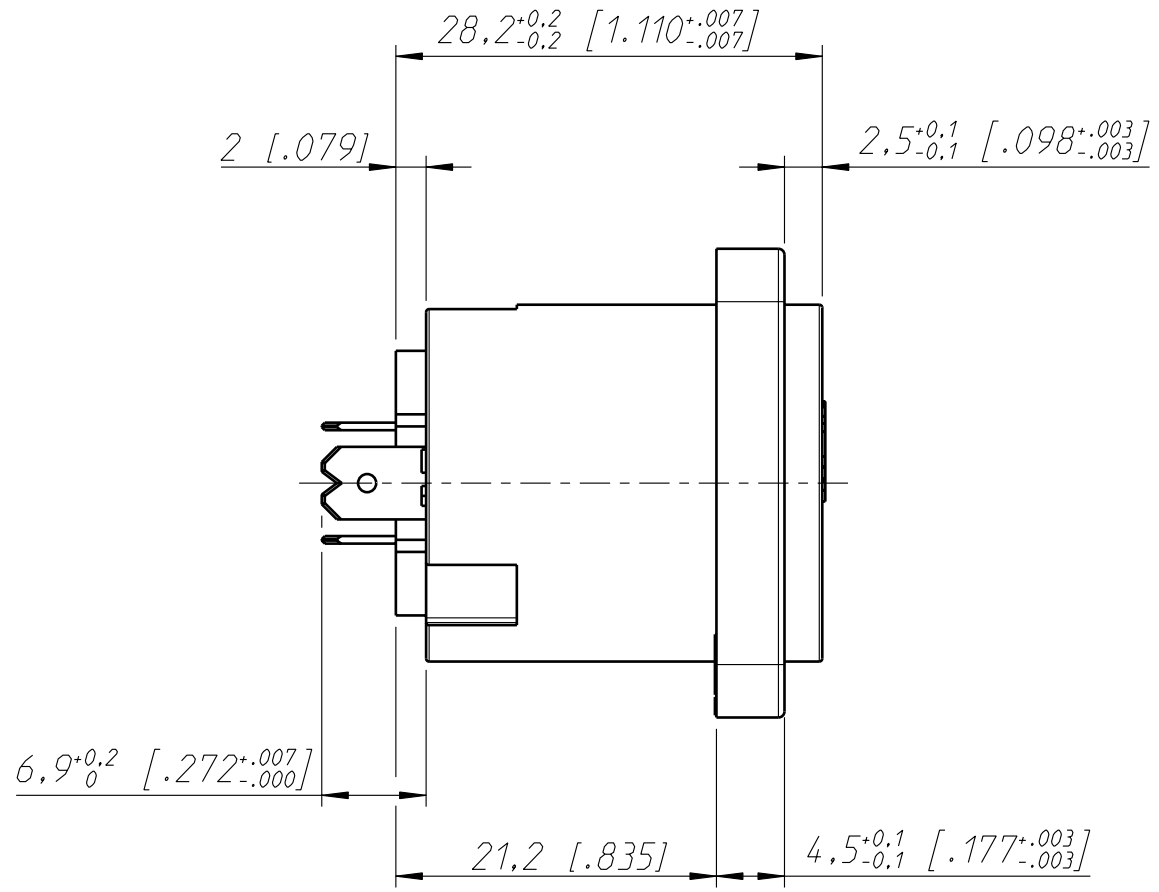
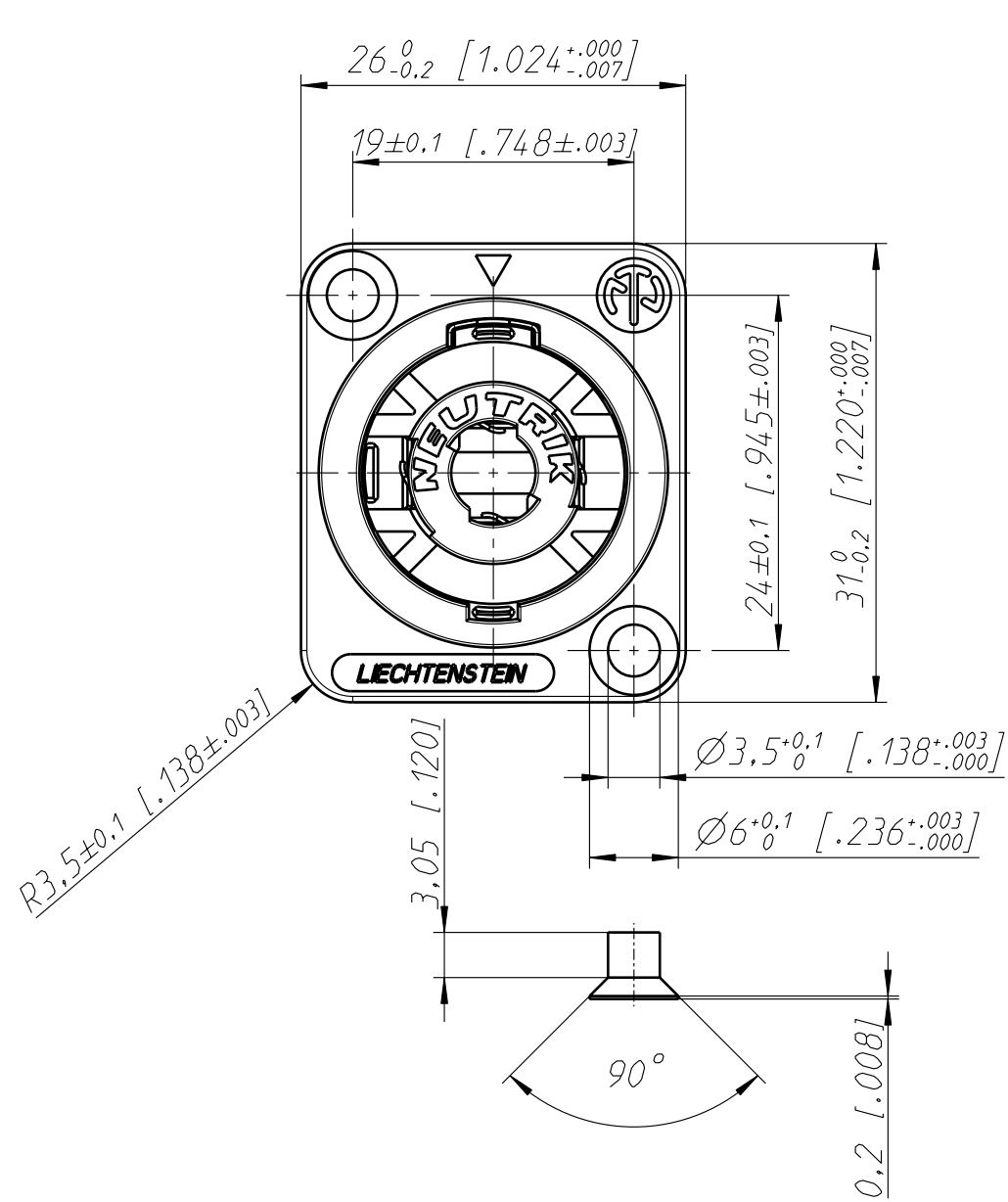
- Standard current rating 30 Amp
- High current version up to 50 Amp audio current
- Glass reinforced materials make it extremely robust and dependable
- Precise keyway for secure mating
- Accurate twist lock latching system
- Metal insert in locking area
- Airtight design - optimized for speaker applications

#### ACCESSORIES

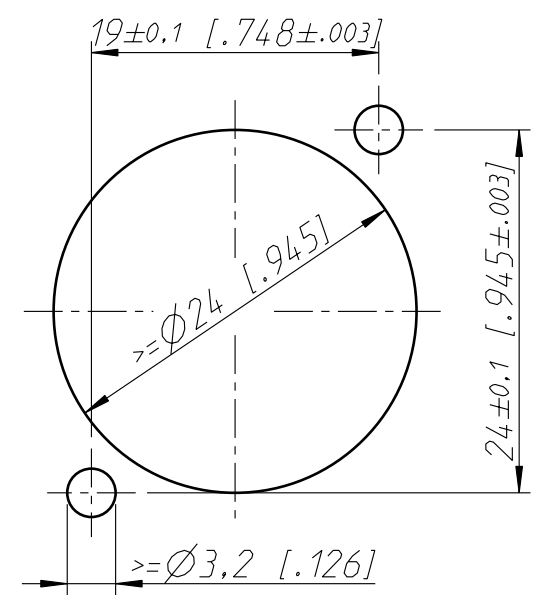


SCL





Frontplattenausschnitt (Rückseite)  
Panel Cutout (rear side)



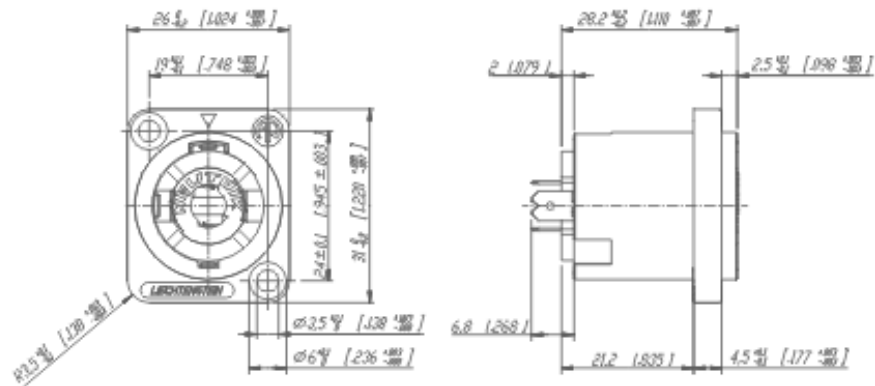
Allgemeintoleranzen ISO 2768-m	Werkstoff	Massstab:	Datum	Name	
Zeichnung urheberrechtlich geschuetzt (DIN 34) (C)	-	2:1 (A3)	Gezeichnet	23.06.99	Martinek
			Freigegeben	-	-
			Geaendert	15.09.03	Mijatovic
Benennung			Aend.-Nr.	Aend.-Index	
NL4MP NL4MP			-	F	
NEUTRIK AG FL-9494 SCHAAN			Ersatz fuer: 3102ST0505	Blatt 1 von 1 Bl.	
			Zeichn. Nr.	ST-NL4MP	



Audio

## Chassis Connectors

### NL4MP



There are no technical infos for this product.

#### Product

Connector Type	Speakon
Gender	male

#### Electrical

Contact resistance	≤ 3 mΩ (after lifetime)
Dielectric strength	4 kVdc (peak)
Insulation resistance	> 1 GΩ (after dampheat)
Rated current per contact	30 A rms continuous
Rated current per contact	40 A audiosignal, duty cycle 50 %
Rated voltage	250 V (Insulation)

#### Mechanical

Lifetime	> 5000 mating cycles
Wiring	3/16" flat tabs
Locking device	Quick Lock
Mounting direction	front & rear
Chassis shape	D
Layout	standard hole position, thru holes

#### Material

Contact plating	4 μm Ag
Contacts	Bronze (CuSn6)
Shell	Polyamide (PA 6 30 % GR) black

**Environmental**

Approvals	UL,CSA
Flammability	UL 94 HB
Solderability	Complies with IEC 68-2-20
Temperature range	-30 °C to +80 °C

**Optical**

**Mobile Cables**