



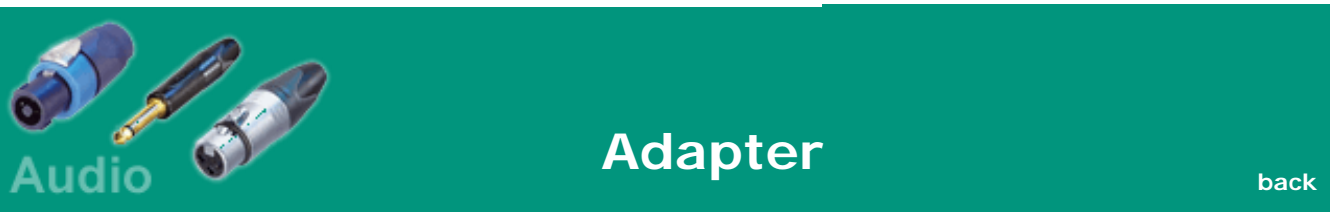
 Deutsche Version

- Home
- About Us
- Products
- Support
- News
- Sitemap

Search

Products only

© Neutrik® AG
All rights reserved
Legal Notices



[back](#)

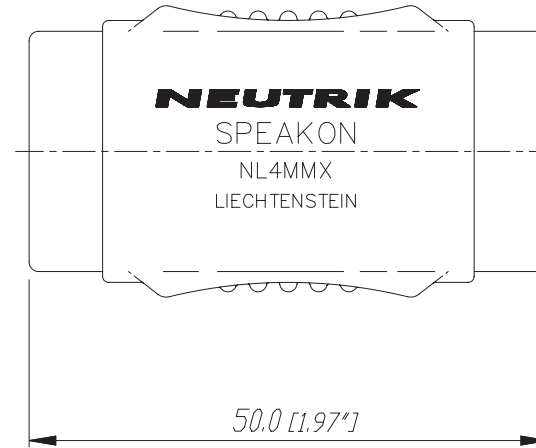
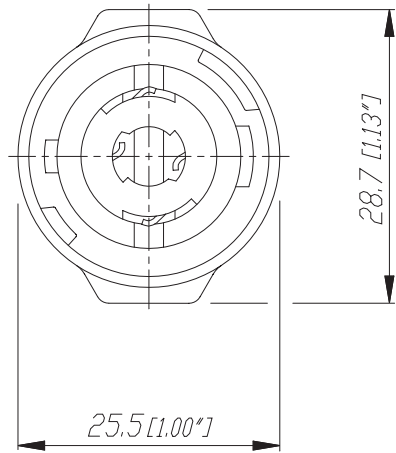
[Print](#)

NL4MMX



4 pole lockable coupler, links two NL2/4FCs together for cable extension. Can be permanently attached to NL2/4FC.





Ind.	Aenderung	Datum	Name	Werkstoff:	Massstab:	Gezeichnet	Datum	Name
				*)Lieferant darf ohne Ruecksprache nicht gesendert werden	2:1	Gezeichnet	27.02.2002	Battlogg
						Zeichnung urheberrechtlich geschuetzt (DIN 34) (C)	Geprueft	
				Benennung: Speakon NL 4MMX		Gesehen		
						Ersetzt durch:		Blatt
						Ersatz fuer:		von Blatt
				NEUTRIK AG FL-9494 SCHAAN		Zeichn. Nr.		

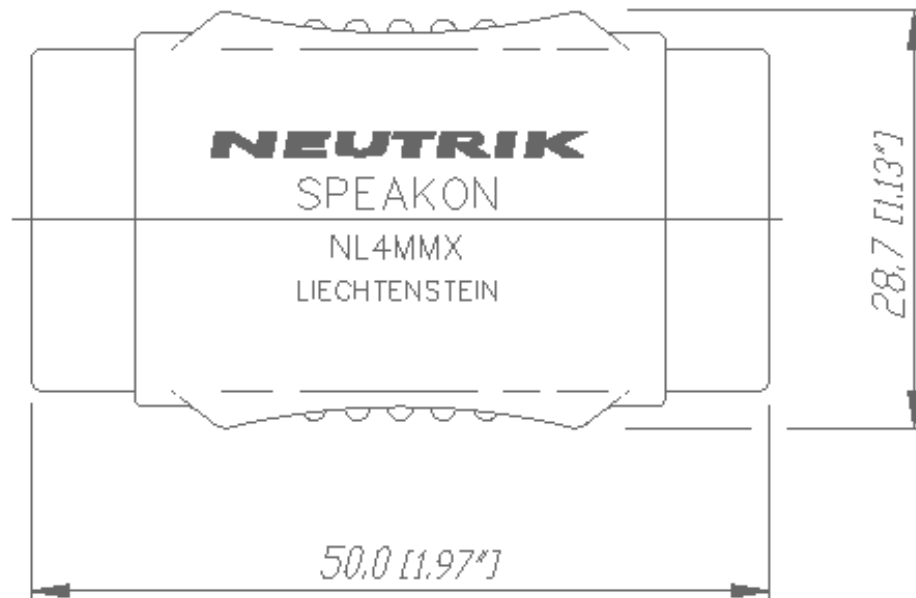


Adapter



Audio

NL4MMX



There are no technical infos for this product.

Product

Connector Type	Speakon
Gender	male

Electrical

Contact resistance	$\leq 3 \text{ m}\Omega$ (after lifetime)
Dielectric strength	4 kVdc (peak)
Insulation resistance	$> 1 \text{ G}\Omega$ (after dampheat)
Rated current per contact	20 A
Rated voltage	250 V (Insulation)

Mechanical

Lifetime	> 5000 mating cycles
Locking device	Quick Lock

Material

Contact plating	4 μm Ag
-----------------	--------------------

Contacts	Bronze (CuSn6)
Insert	Polyamide (PA 6 30 % GR)
Shell	Polyamide (PA 6 30 % GR)

Environmental

Flammability	UL 94 HB
Solderability	Complies with IEC 68-2-20
Temperature range	-30 °C to +80 °C

Optical

Mobile Cables