



Audio

## Cable Connectors

[back](#)[Print](#)

### NL4FX



4 pole cable connector, chuck type strain relief, dark grey bushing

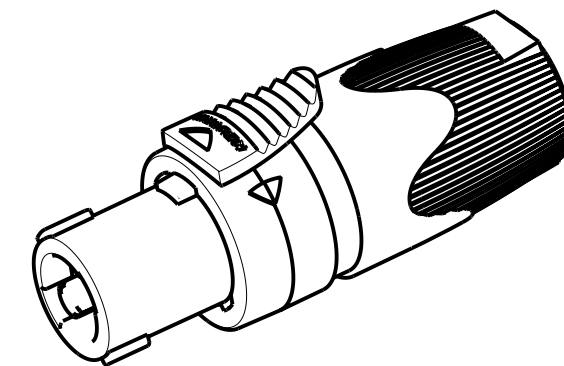
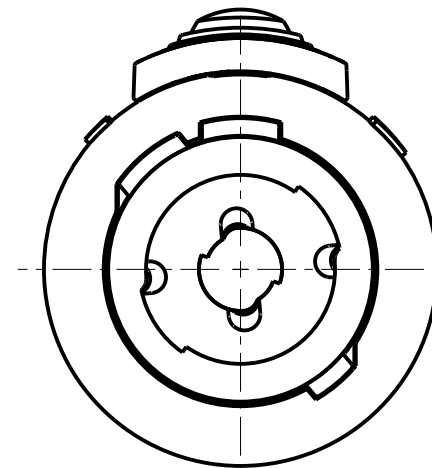
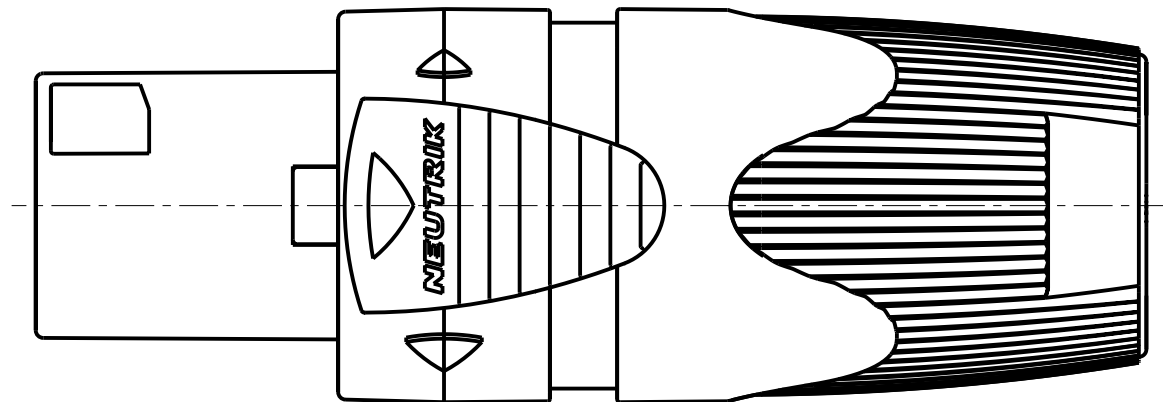
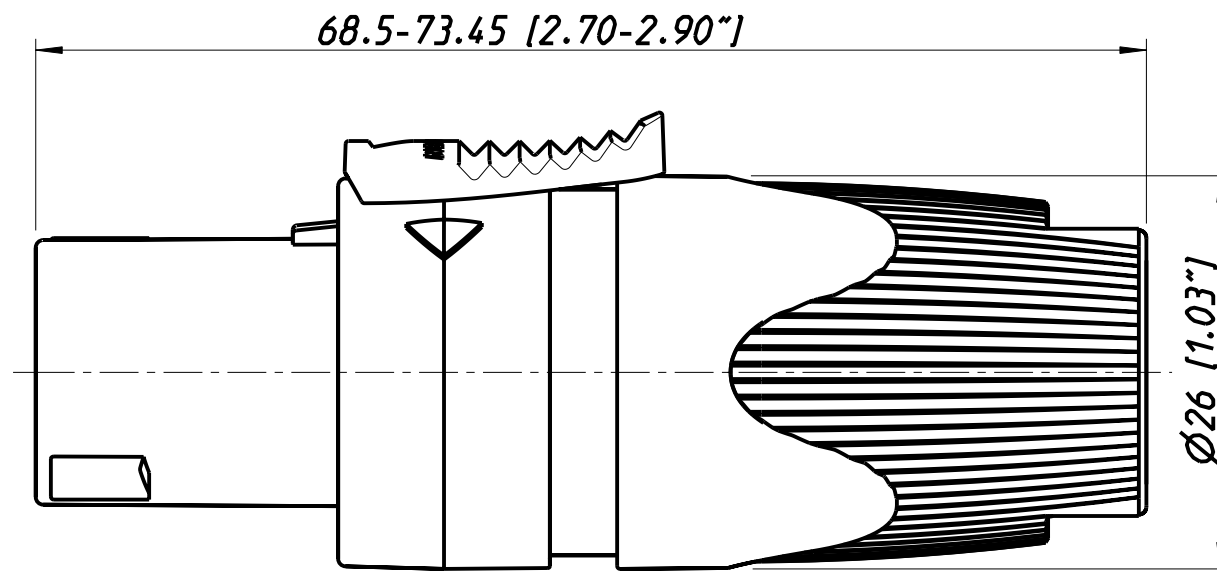
The industry-standard for loudspeaker connections offer extremely reliable and robust cable connectors with a reliable locking system. They feature solid contacts with screw-type terminals including a stranded wire protection which offer also solder termination.

#### Features & Benefits

- Current rating 40 A rms continuous
- Up to 50 A audio signal, duty cycle 50%
- Only 3 parts, easy to assemble
- High impact materials - long-lasting and reliable
- Easy and extremely precise locking system "Quick Lock"
- Improved grip on latch
- 1 piece strain relief, chuck for 7 to 14.5 mm cable O.D.
- Color coding possible
- Improved screw-type termination for highest pull-out force
- Integrated design guarantees "Made by Neutrik®"

#### ACCESSORIES



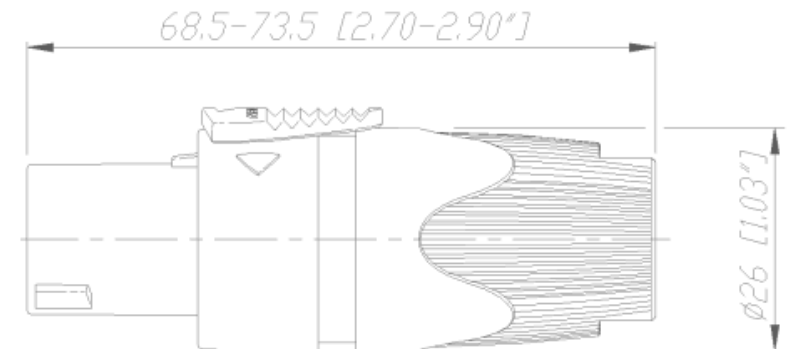
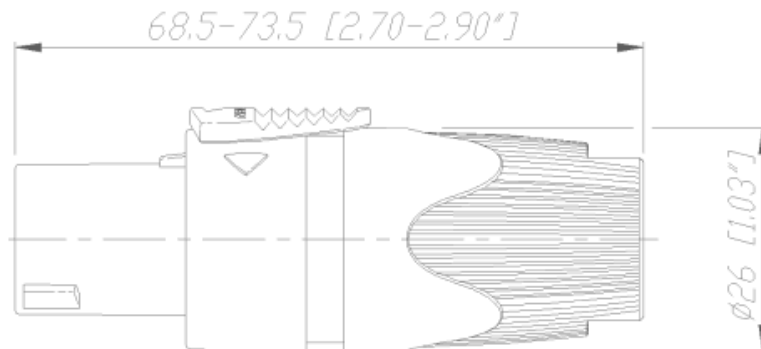


1:1

Allgemeintoleranzen ISO 2768-m	Werkstoff KEIN_MAT	Massstab: 2:1 (A3)	Gezeichnet	Datum	Name
			Freigegeben	08.06.01	Dobler
Zeichnung urheberrechtlich geschützt (DIN 34) (C)	-		Geändert	-	-
			Aend.-Nr.	08.06.04	Payr
Benennung Speakon NL4FX			Aend.-Nr. 168-2004		Aend.-Index B
			Ersatz fuer:		Blatt 1 von 1 Bl.
NEUTRIK AG FL-9494 SCHAAN			Zeichn. Nr. ST-NL4FX		



## NL4FX



There are no technical infos for this product.

Product	
Connector Type	Speakon
Gender	female
Electrical	
Contact resistance	< 2 mΩ (after lifetime)
Dielectric strength	4 kVdc (peak)
Insulation resistance	> 1 GΩ (after dampheat)
Rated current per contact	40 A rms continuous
Rated current per contact	50 A audiosignal, duty cycle 50 %
Rated voltage	250 V (Insulation)
Mechanical	
Cable O.D.	7 - 14.5 mm
Cable retention force	≥ 220 N (subject to cable O.D. and material)
Lifetime	> 5000 mating cycles
Wire size	4 mm <sup>2</sup> / 6 mm <sup>2</sup> (screw type terminals/soldering)
Wire size	12 AWG / 10 AWG
Wiring	screw type terminals or soldering
Locking device	Quick Lock (latch)
Material	

Bushing	Polyamide (PA 6 15% GR) black
Contact plating	4 µm Ag
Contacts	Brass (CuZn39Pb3)
Insert	PBTP 20 % GR
Locking element	Zinc diecast (ZnAl4Cu1)
Shell	PBTP 20 % GR
Strain relief	Polyacetal (POM)

#### Environmental

Approvals	UL, CSA
Flammability	UL 94 HB
Solderability	Complies with IEC 68-2-20
Temperature range	-30 °C to +80 °C

#### Optical

#### Mobile Cables