



Audio

Cable Connectors

[back](#)[Print](#)

NL4FC



4 pole cable connector, chuck type strain relief

The industry-standard for loudspeaker connections offer extremely reliable and robust cable connectors with a reliable locking system. They feature solid contacts with screw-type terminals including a stranded wire protection which offer also solder termination.

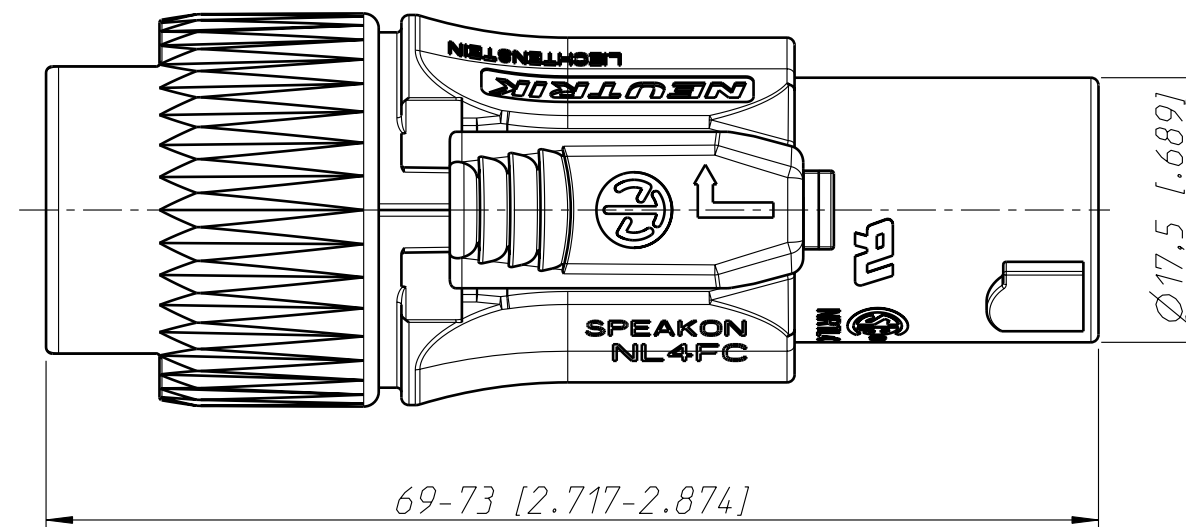
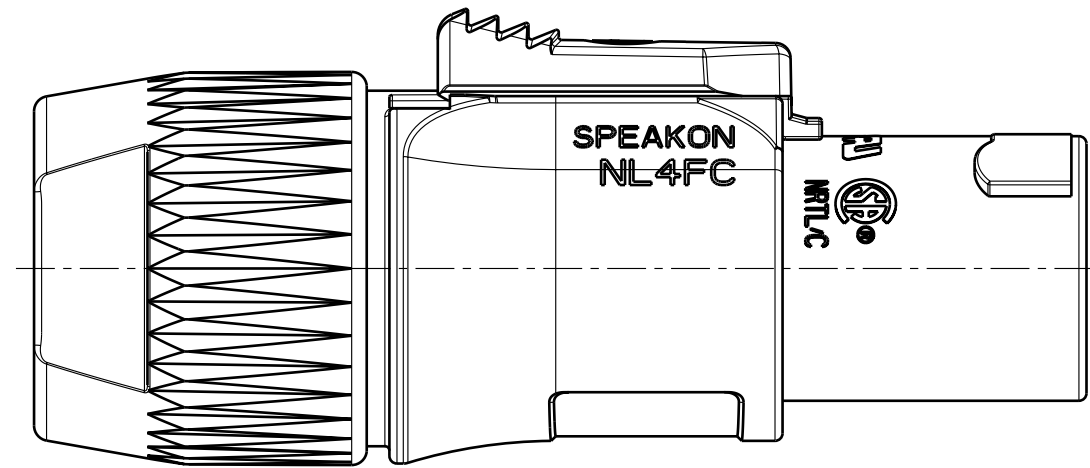
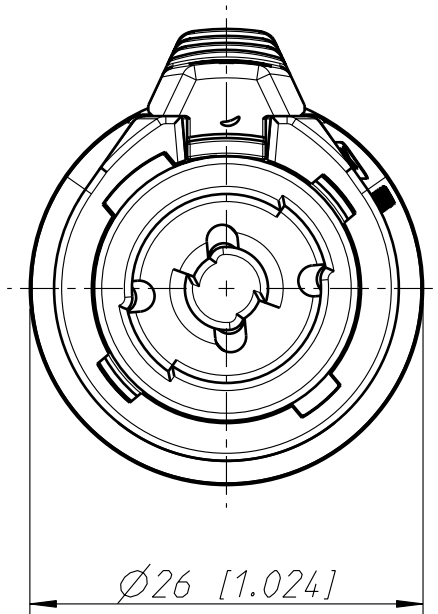
Features & Benefits

- Up to 30 A rms current rating
- Reliable and robust, easy and fast to assemble
- Cable strain relief for 5 - 15 mm cable O.D.
- Accurate and dependable twist lock latching system "Quick Lock"
- Glass reinforced material for insert and housing, long-lasting and dependable
- User friendly latch design for easy handling
- Unique Neutrik chuck type strain relief
- Branded with unique hologram - guarantees genuine and authentic Neutrik product

ACCESSORIES

BSL-WR





Allgemeintoleranzen ISO 2768-m	Werkstoff	Massstab:	Datum	Name	
Zeichnung urheberrechtlich geschuetzt (DIN 34) (C)	-	2:1 (A3)	Gezeichnet	23.06.89	Martinek
			Freigegeben	-	-
Benennung	NL4FC NL4FC	NEUTRIK AG FL-9494 SCHAAN	Geaendert	13.06.07	Ender
			Aend.-Nr.	-	Aend.-Index B
			Ersatz fuer:	Blatt 1 von 1 Bl.	
			Zeichn. Nr.	ST-NL4FC	



Cable Connectors

NL4FC

There are no technical infos for this product.

Product

Connector Type	Speakon
Gender	female

Electrical

Contact resistance	$\leq 3 \text{ m}\Omega$ (after lifetime)
Dielectric strength	4 kVdc (peak)
Insulation resistance	$> 1 \text{ G}\Omega$ (after dampheat)
Rated current per contact	30 A rms continuous
Rated current per contact	40 A audiosignal, duty cycle 50 %
Rated voltage	250 V (Insulation)

Mechanical

Cable O.D.	5 - 15 mm
Cable retention force	$\geq 220 \text{ N}$ (subject to cable O.D. and material)
Lifetime	> 5000 mating cycles
Wire size	4 mm ²
Wire size	12 AWG
Wiring	screw type terminals or soldering
Locking device	Quick Lock (latch)

Material

Bushing	Polyamide (PA 6 15% GR)
Contact plating	4 μm Ag
Contacts	Brass (CuZn39Pb3)
Insert	PBTP 20 % GR
Locking element	Zinc diecast (ZnAl4Cu1)
Shell	Polyamide (PA 6 30 % GR)
Strain relief	Polyacetal (POM)

Environmental

Approvals	UL, CSA
Flammability	UL 94 V-0
Solderability	Complies with IEC 68-2-20
Temperature range	-30 °C to +80 °C

Optical

Mobile Cables