



Chassis Connectors

[back](#)

[Print](#)

NL2MP



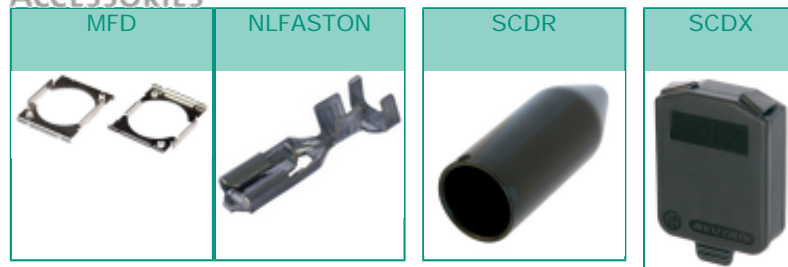
2 pole chassis connector, black D-size flange, countersunk thru holes, 3/16" flat tabs. Does not intermate with the 4-pole cable connector

The state-of-the-art chassis connector for loudspeaker / amplifier applications. They feature a unique locking system, robust plastic housing and high current silver plated contacts.

Features & Benefits

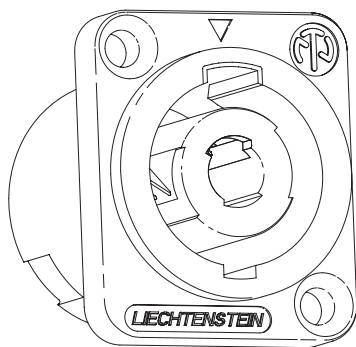
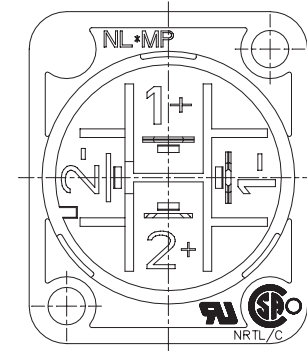
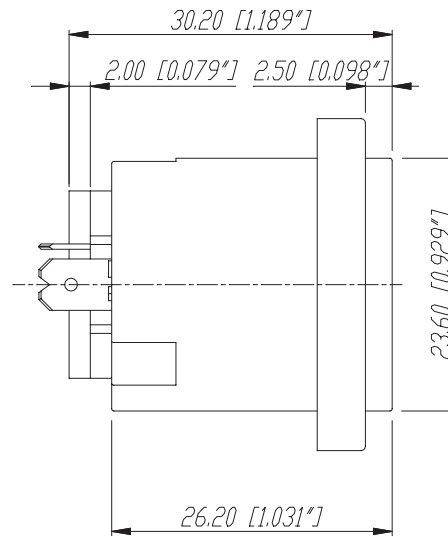
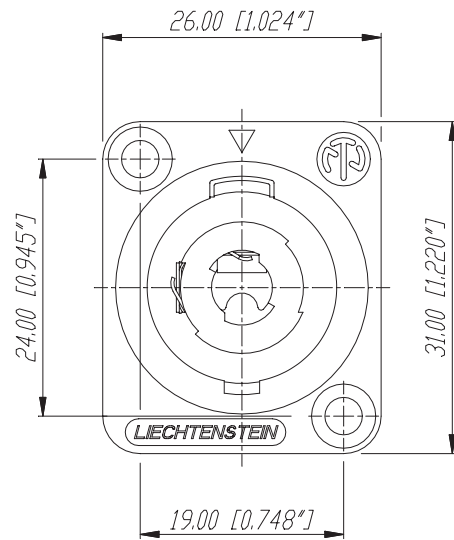
- Standard current rating 30 Amp
- High current version up to 50 Amp audio current
- Glass reinforced materials make it extremely robust and dependable
- Precise keyway for secure mating
- Accurate twist lock latching system
- Metal insert in locking area
- Airtight design - optimized for speaker applications

ACCESSORIES

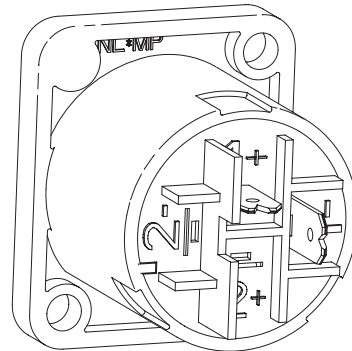


SCL





MASSTAB 2:1



MASSTAB 2:1

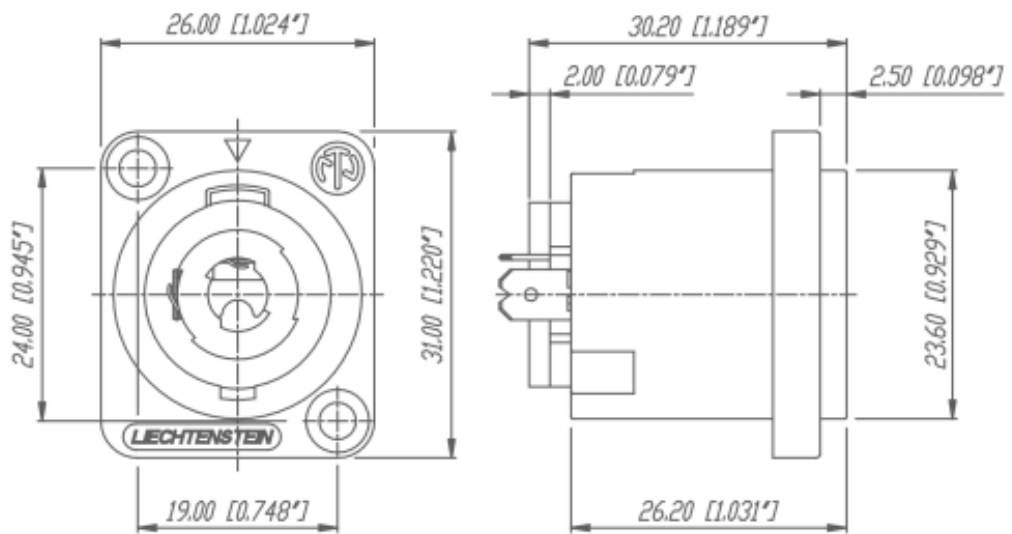
				*Lieferant darf ohne Ruecksprache nicht geaendert werden	Werkstoff:	Masstab: 2:1	Gezeichnet 03.12.97	Datum 03.12.97	Name Loretz
				Zeichnung urheberrechtlich geschuetzt (DIN 34) (C)			Geprueft		
				Benennung:	NL -Serie NL2MP		Gesehen	Ersetzt durch:	Blatt
B	Verriegelung	2002	Batlg				Ersatz fuer:		von Blatt
A	Rippe neu	26.05.99	Alinjak						
Ind.	Aenderung	Datum	Name	NEUTRIK AG FL-9494 SCHAAN			Zeichn. Nr.	3102 St 05 35	



Audio

Chassis Connectors

NL2MP



There are no technical infos for this product.

Product

Connector Type	Speakon
Gender	male

Electrical

Contact resistance	≤ 3 mΩ (after lifetime)
Dielectric strength	4 kVdc (peak)
Insulation resistance	> 1 GΩ (after dampheat)
Rated current per contact	30 A rms continuous
Rated current per contact	40 A audiosignal, duty cycle 50 %
Rated voltage	250 V (Insulation)

Mechanical

Lifetime	> 5000 mating cycles
Wiring	3/16" flat tabs
Locking device	Quick Lock
Mounting direction	front & rear
Chassis shape	D
Layout	standard hole position, thru holes

Material

Contact plating	4 µm Ag
Contacts	Bronze (CuSn6)
Shell	Polyamide (PA 6 30 % GR) black

Environmental

Approvals	UL,CSA
Flammability	UL 94 HB
Solderability	Complies with IEC 68-2-20
Temperature range	-30 °C to +80 °C

Optical

Mobile Cables

Please note Does not intermate with 4-pole cable connector