



Audio

1/4" Vertical Jacks

[back](#)[Print](#)

NJ2FD-V



Non-switching mono jack (T/S)

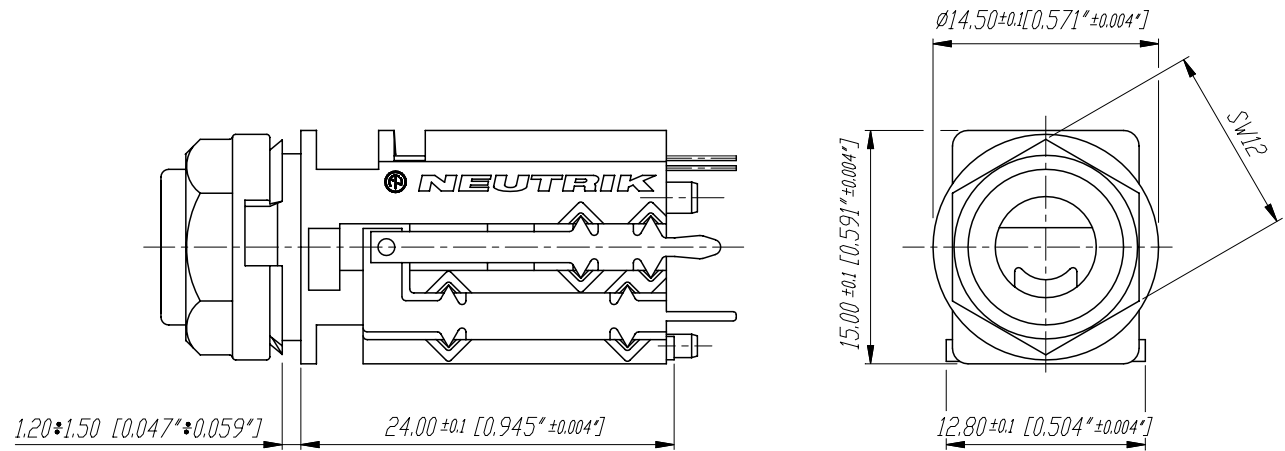
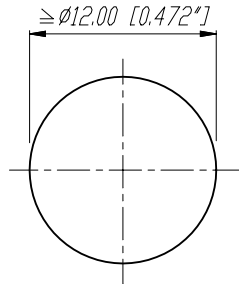
Vertical PCB mount panel jack in A-gauge version with gold plated contacts and unique quick fixing cap for rapid panel mounting. Separation of mechanical latch and electrical contacts offers high retention force combined with low insertion force.

Features & Benefits

- Compact robust plastic housing provides mechanical and electrical reliability
- Quick Cap Fixing System drastically reduces assembly time through snapping mounting cap
- The retention force is provided by a special spring element, independent from contacts
- Mates with plugs acc. to EIA RS-453

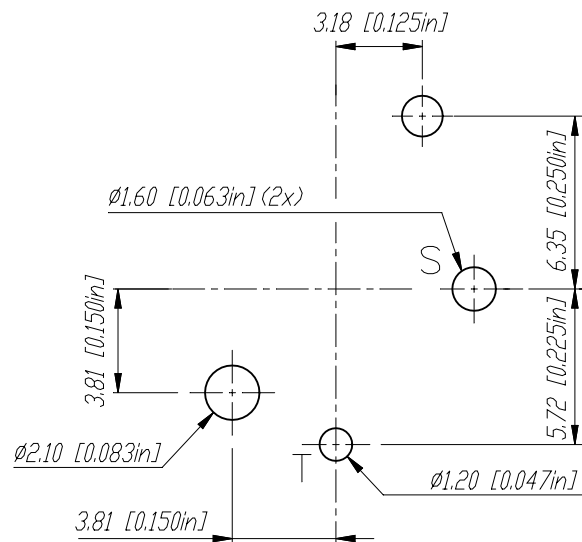
Frontplattenausschnitt (Rückseite)

Panel cut out (rear side)

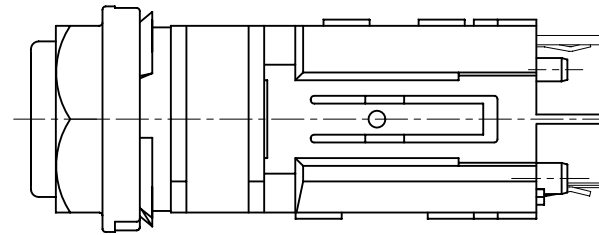


Print-Bohrplan (Bestückungsseite) M 5:1

PCB-Layout (component side) Scale 5:1



Layout tolerance: ±0.05mm [0.002\"/>



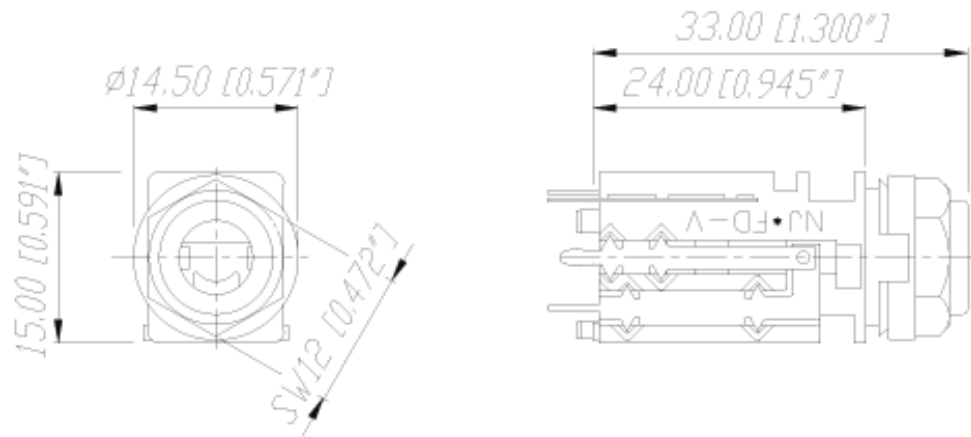
Ind.	Aenderung	Datum	Name	Werkstoff:	Massstab:	Gezeichnet	Datum	Name
				*)Lieferant darf ohne Ruecksprache nicht gesendert werden	3:1		29.11.00	Stupp
					5:1			
				Benennung:		Ersetzt durch:		Blatt
				NEUTRIK AG FL-9494 SCHAAN		Ersatz fuer:		von Blatt
						Zeichn. Nr.		3102 St 07 18



1/4" Vertical Jacks

Audio

NJ2FD-V



There are no technical infos for this product.

Product

Connector Type	Jack
Gender	female

Electrical

Contact resistance	< 10 mΩ (initial)
Dielectric strength	1 kVdc
Insulation resistance	≥ 1 GΩ @ 500 V dc
Rated current per contact	3 A

Mechanical

Insertion force	< 10 N
Withdrawal force	< 8 N
Lifetime	> 10000 mating cycles
Panel thickness	1.2 - 1.5 mm (0.047" - 0.06")
Wiring	Vertical PCB mount
Locking device	retention spring
Mounting direction	rear
Chassis shape	12 mm
Cap opening torque	25 N cm / 9.84 N in

Material

Cap / Nut / Washer	Polyacetal (POM)
Contact plating	0.2 µm Au
Contacts	Bronze (CuSn6)
Shell	Polyamide (PA 6.6 30 % GR)

Environmental

Standard compliance	EIA RS 453, IEC 60603-11
Solderability	Complies with IEC 68-2-20
Temperature range	-25 °C to +70 °C

Optical

Mobile Cables