



Audio

## EtherCon® D Series

[back](#)[Print](#)

### NE8FF



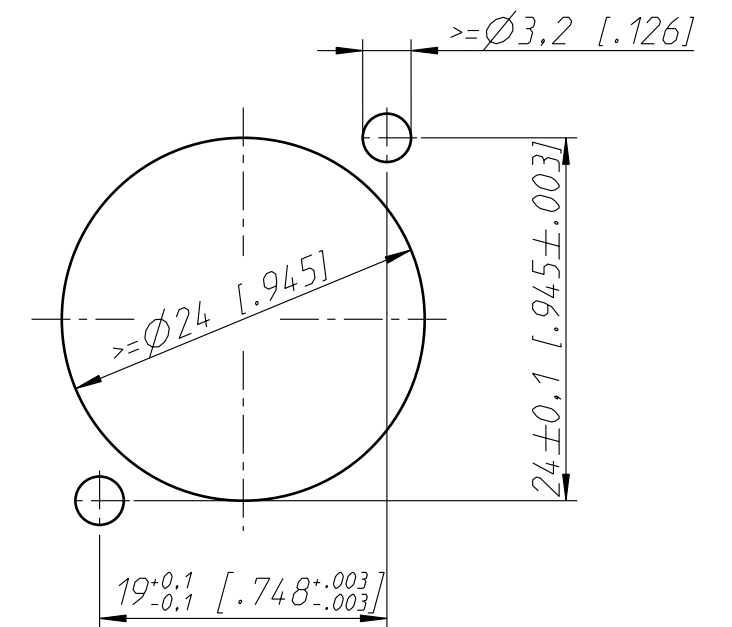
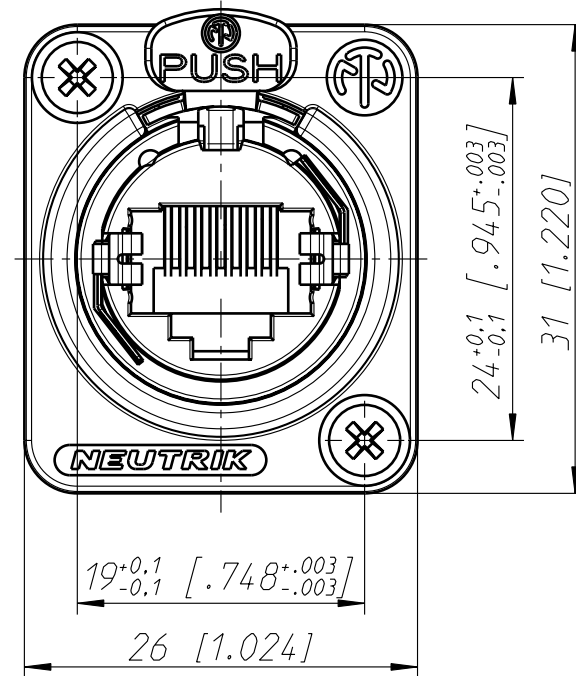
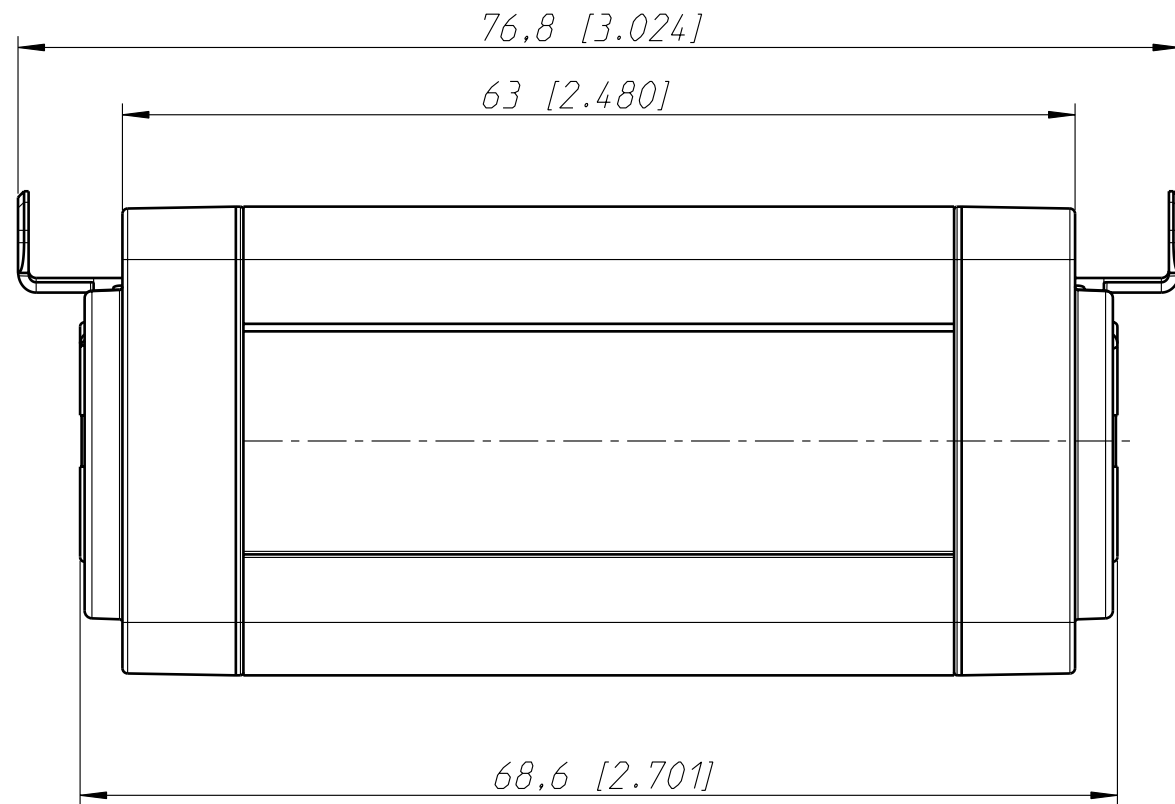
The EtherCon® Series is a ruggedized and lockable RJ45 connector system, optimized for proaudio, video and lightning network applications. The chassis connectors are shaped to fit into standardized panels out of the entertainment industry.

The D-Series offers the most rugged design of the EtherCon® series and is perfectly suitable for panel mount and the installer market.

Feedthrough coupler for cable extensions.

#### Features & Benefits

- Accommodates NE8MC\* or any standard RJ45 plug
- Approved latch lock system



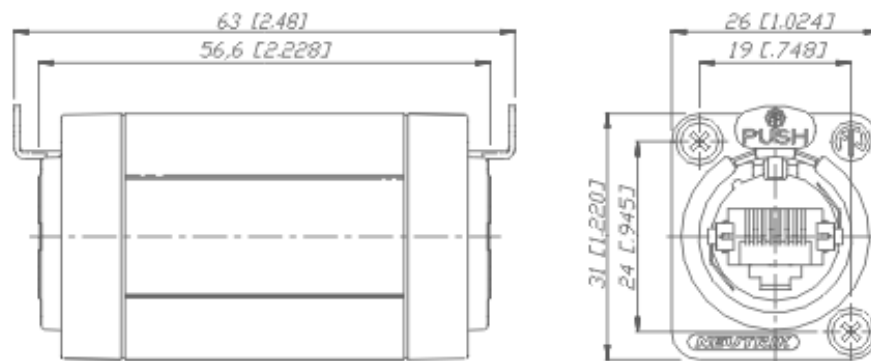
Allgemeintoleranzen ISO 2768-m	Werkstoff	Massstab:	Datum	Name	
Zeichnung urheberrechtlich geschuetzt (DIN 34) (C)	-	2:1 (A3)	Gezeichnet	29.07.02	Payr
			Freigegeben	-	-
			Geaendert	04.02.05	Payr
Benennung			Aend.-Nr.	Aend.-Index	
NE8FF			18-2005	C	
Ethercon Feedthrough			Ersatz fuer:	Blatt 1 von 1 Bl.	
NEUTRIK AG FL-9494 SCHAAN			Zeichn. Nr.	ST-NE8FF	



## EtherCon® D Series



### NE8FF



There are no technical infos for this product.

#### Product

Connector Type	RJ45
Gender	female

#### Electrical

Contact resistance	< 10 mΩ
Dielectric strength	1 kVdc
Frequencyrange	1 - 100 MHz
Insulation resistance	> 0.5 GΩ
Rated current per contact	1,5 A
Rated voltage	50 V

#### Mechanical

Insertion force	≤ 20 N
Withdrawal force	≤ 20 N
Lifetime	> 1000 mating cycles
Locking device	latch lock

#### Material

Contact plating	0.2 μm Au over Ni plating
Contacts	Bronze (CuSn8)
Insert	PBTP 15 % GR
Shell	AlMgSi 0.5, black plated
Shell plating	Black painted
Strain relief	CuZn35Pb2, Tin plated

## Environmental

Standard compliance TIA/EIA 586B, IEC11801

Temperature range -30 °C to +80 °C

## Optical

### Mobile Cables