



EtherCon® B Series



AUDIO

[back](#)

[Print](#)

NE8FBH-S

The EtherCon® Series is a ruggedized and lockable RJ45 connector system, optimized for lightning network applications. The chassis connectors are shaped to fit into standardized entertainment industry. Various wiring applications and color coding are available. The B-Series offers a space saving design and a rugged metal front plate.



to and
the

PRODUCTS

Family shielded PCB mount RJ45 receptacle, B-series cutout with latch lock, max. panel "Shielded EtherCon" offers a closed metal housing to avoid EMI or cross talking.

ADDITIONAL INFO

[Technical Info](#)

[Drawing \(PDF\)](#)

[Drawing \(DXF\)](#)

[EtherCon® Product Guide](#)

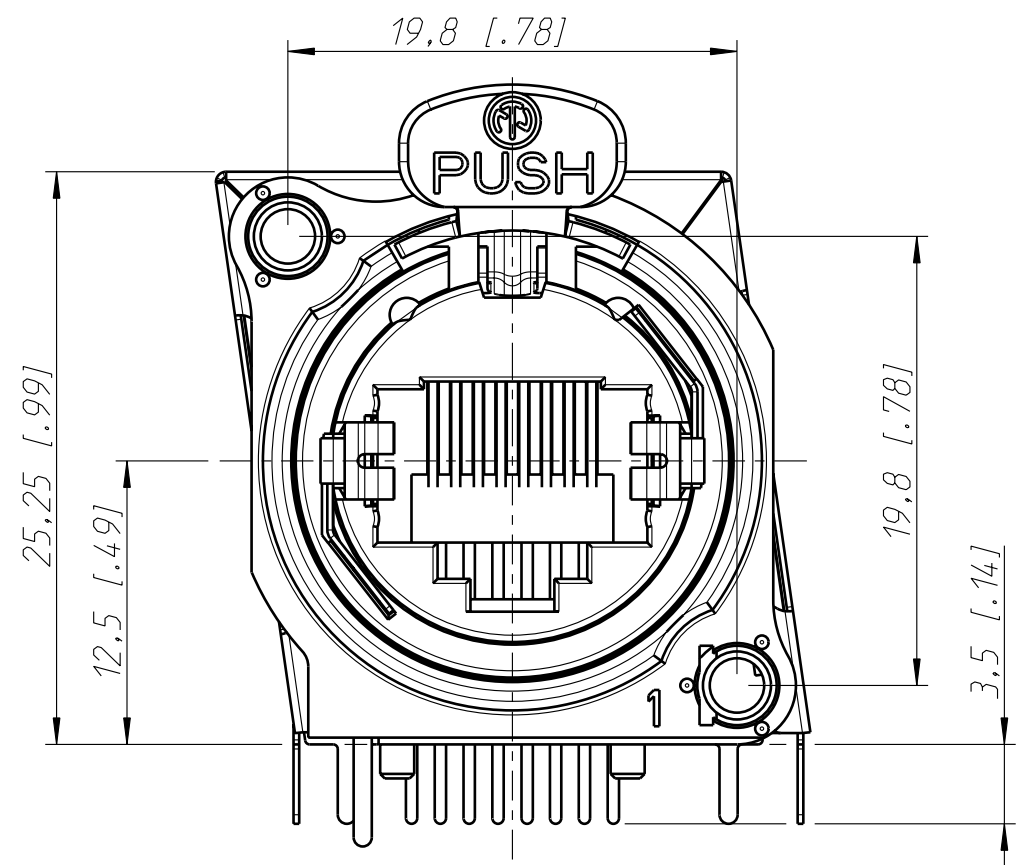
Features & Benefits

- Accommodates rugged EtherCon® NE8MC* or any standard RJ45 plug
- Approved latch lock system
- Comprehensive shielding granted by completely closed metal housing
- Improves EMC performance of appliance even in unmated condition
- Connector is fixed onto PCB due to soldered connector housing
- Complies with Class D according to TIA / EIA 568B and ISO / IEC 11801 standard
- Ground panel connection

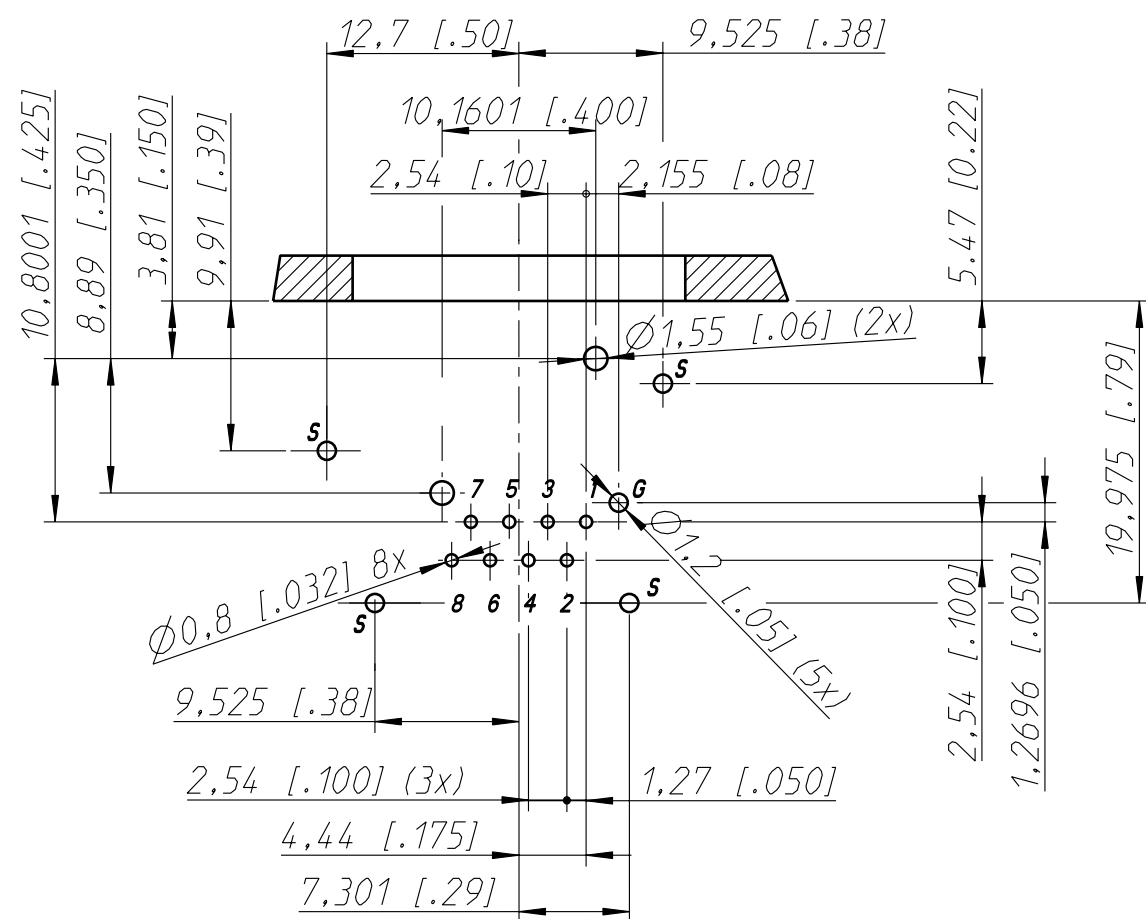
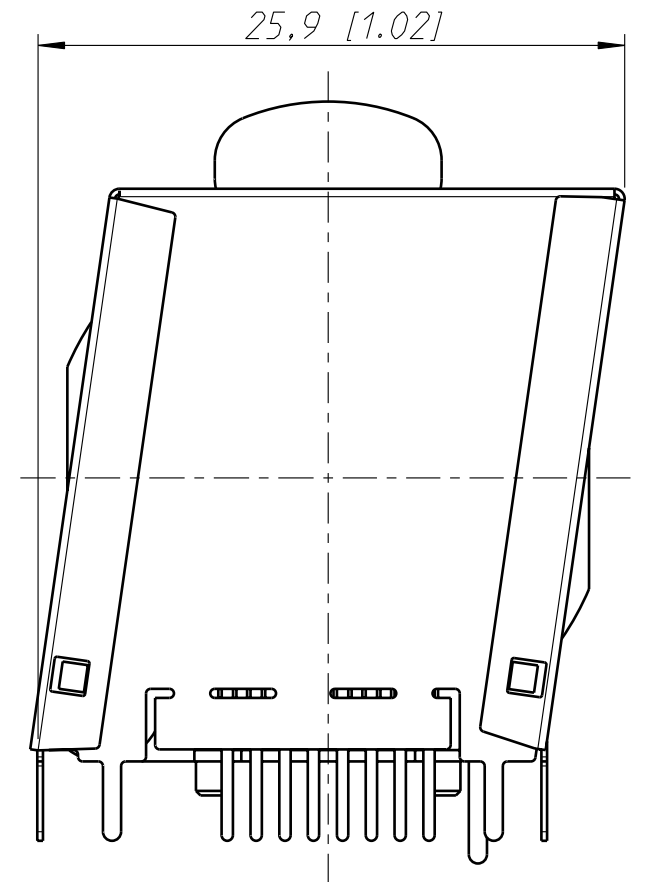
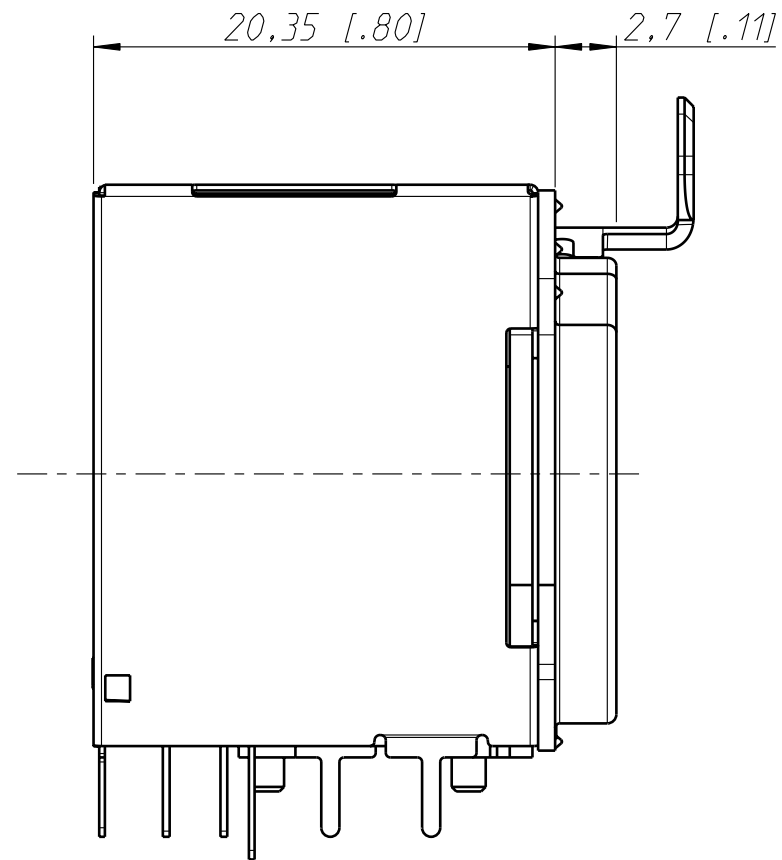
ACCESSORIES

A-SCREW-1-8



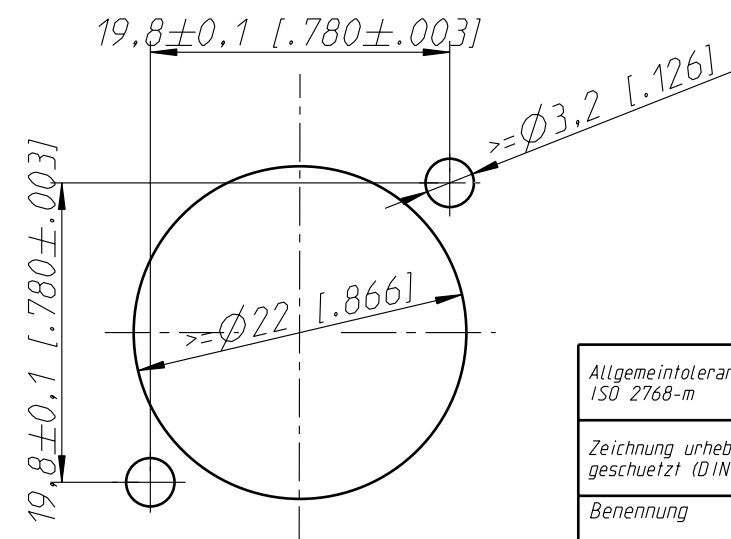


Print Bohrplan Bestückungsseite
PCB-Layout (component side)

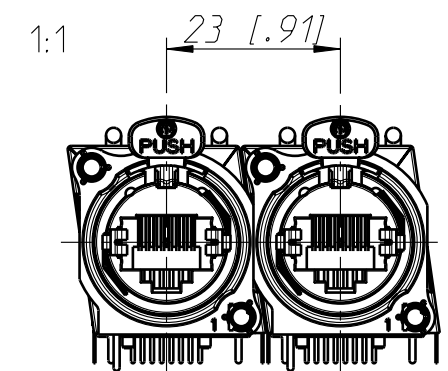


Frontplattenausschnitt (Rückseite)
Panel cut out (rear side)

2:1



min. Einbauabstand
min. assembling distance



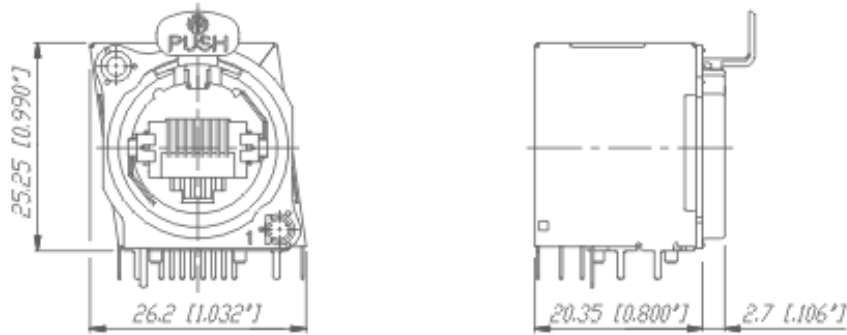
Allgemeintoleranzen ISO 2768-m	Werkstoff	Massstab:	Datum	Name	
Zeichnung urheberrechtlich geschuetzt (DIN 34) (C)	KEIN_MAT	3:1 (A3)	Gezeichnet	04.08.05	Payr
			Freigegeben	-	-
			Geaendert	-	-
Benennung	-		Aend.-Nr.	Aend.-Index	
NE8FBH-S			Ersatz fuer:	Blatt 1 von 2 Bl.	
			NEUTRIK AG FL-9494 SCHAAN		Zeichn. Nr. ST-NE8FBH-S



EtherCon® B Series



NE8FBH-S



There are no technical infos for this product.

Product	
Connector Type	RJ45
Gender	female
Electrical	
Contact resistance	< 10 mΩ
Dielectric strength	1 kVdc
Frequencyrange	1 - 100 MHz
Insulation resistance	> 0.5 GΩ
Rated current per contact	1,5 A
Rated voltage	50 V
Transmission performance	Class D
Standard compliance	TIA / EIA 568B and ISO / IEC 11801
Mechanical	
Insertion force	≤ 20 N
Withdrawal force	≤ 20 N
Lifetime	> 1000 mating cycles
Panel thickness	max. 3 mm 0.12"
Wiring	Horizontal PCB mount
Locking device	latch lock
Mounting direction	rear
Chassis shape	B

Material

Contact plating	0.2 µm Au over Ni plating
Contacts	Bronze (CuSn8)
Insert	PBTP 15 % GR
Shell	Zinc diecast (ZnAl4Cu1)
Shell plating	Nickel

Environmental

Standard compliance	TIA/EIA 586B, IEC11801
Solderability	Complies with IEC 68-2-20
Temperature range	-30 °C to +80 °C

Optical**Mobile Cables**