



Audio

## Combo Series

[back](#)[Print](#)

### NCJ9FI-S

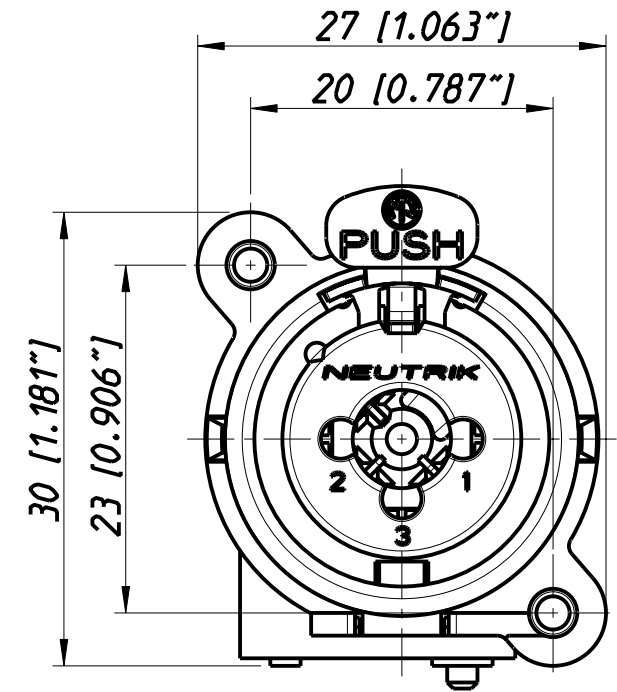
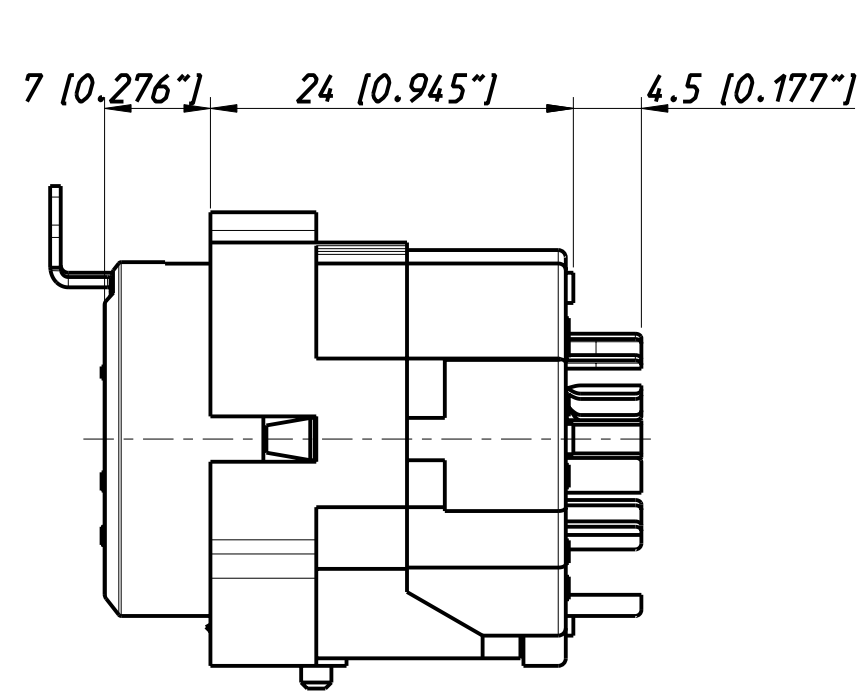
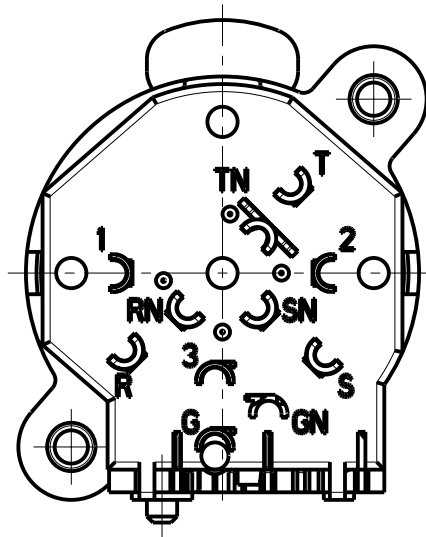
3 pole XLR female receptacle with 1/4" switching stereo jack, solder cups for wire termination

XLR / jack hybrid chassis connector combining 3 pole XLR receptacle and 1/4" jack.

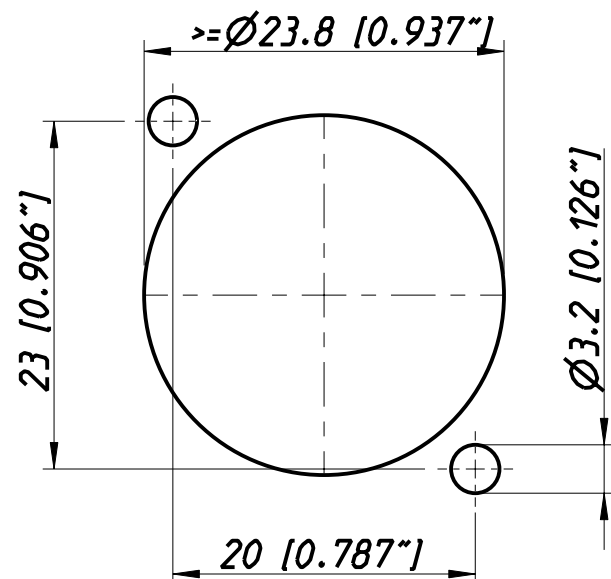
#### Features & Benefits

- Combined XLR receptacle and 1/4" phone jack
- Balanced or line inputs in one XLR shell
- Saves rack space by combining 2 connectors in one housing
- Very low conductor capacitance, therefore suitable for digital audio



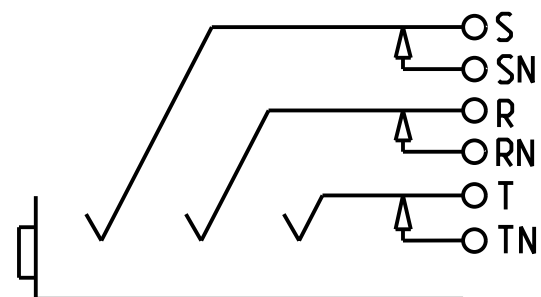


Frontplattenausschnitt (Frontseite)  
Panel cut out (front side)

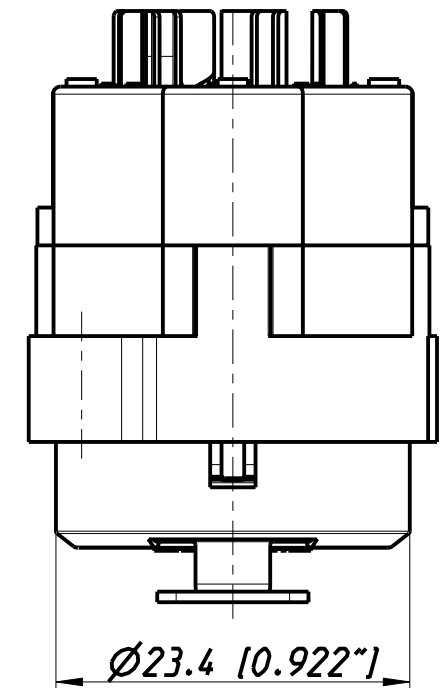
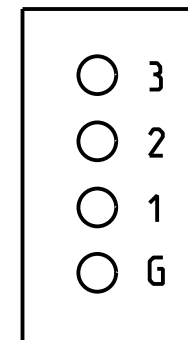


NORMALLING-SCHEMES

JACK- NORMALLING



XLR



Allgemeintoleranzen ISO 2768-m	Werkstoff KEIN_MAT	Massstab: 2:1 (A3)	Gezeichnet	Datum	Name
			Freigegeben	25.05.98	Dobler
Zeichnung urheberrechtlich geschuetzt (DIN 34) (C)	-	-	Gezeichnet	-	-
			Freigegeben	07.11.03	Payr
Benennung			Aend.-Nr.	Aend.-Index	
- NC J9F1-S			245-2003	A	
			Ersatz fuer:	Blatt 1 von 1 Bl.	
NEUTRIK AG FL-9494 SCHAAN			Zeichn. Nr.	3102ST1726	

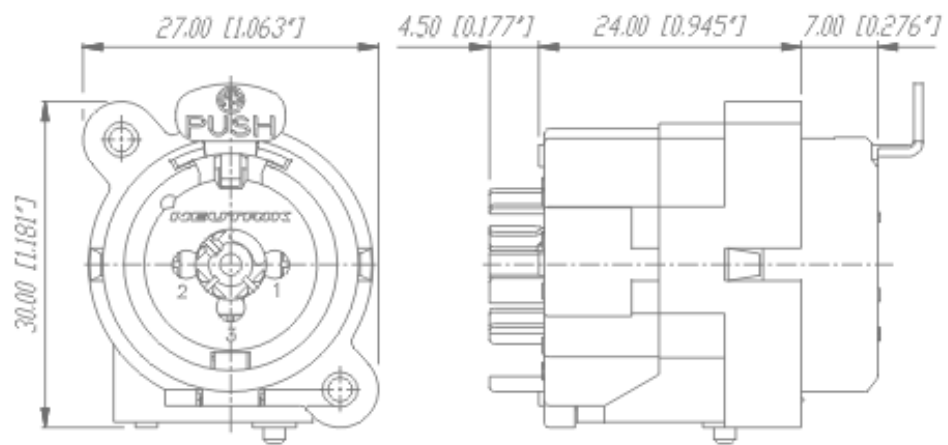


## Combo Series



Audio

### NCJ9FI-S



There are no technical infos for this product.

#### Product

Connector Type	Combo
Gender	female

#### Electrical

Contact resistance	< 10 mΩ (XLR)
Dielectric strength	1,5 kVdc
Insulation resistance	> 2 GΩ (initial)
Insulation resistance	> 0.5 GΩ (after damp heat test)
Rated current per contact	7,5 A (XLR)
Rated current per contact	7,5 A (Jack)
Rated voltage	50 V
Switching contacts	3
Grounding options	Separate ground contact to mating connector shell and front panel

#### Mechanical

Insertion force	≤ 25 N
Withdrawal force	≤ 25 N
Lifetime	> 1000 mating cycles
Panel thickness	max. 7 mm "0.27"
Wire size	0.: 7 mm <sup>2</sup>

#### Material

Contacts	(XLR and switch contacts) Bronze (CuSn6)
<b>Environmental</b>	
Area of application	-30: : +80
<b>Optical</b>	
<b>Mobile Cables</b>	