



Combo Series

Audio

[back](#)[Print](#)

NCJ6FI-S

3 pole XLR female receptacle with 1/4" stereo jack without switching contact, solder cups

XLR / jack hybrid chassis connector combining 3 pole XLR receptacle and 1/4" jack.



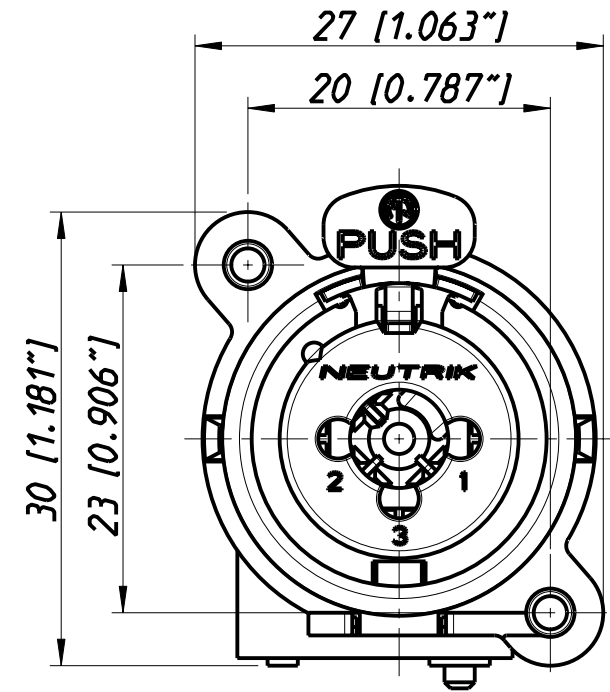
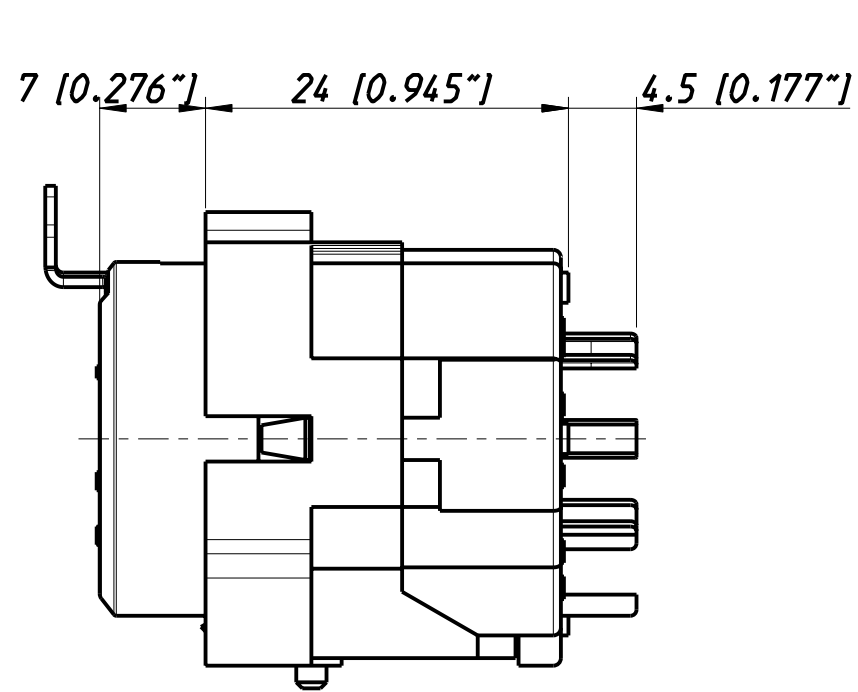
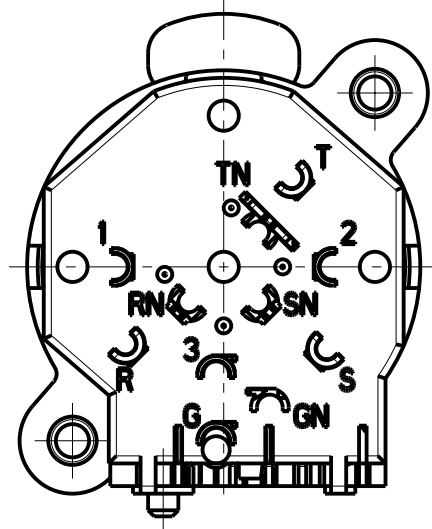
Features & Benefits

- Combined XLR receptacle and 1/4" phone jack
- Balanced or line inputs in one XLR shell
- Saves rack space by combining 2 connectors in one housing
- Very low conductor capacitance, therefore suitable for digital audio

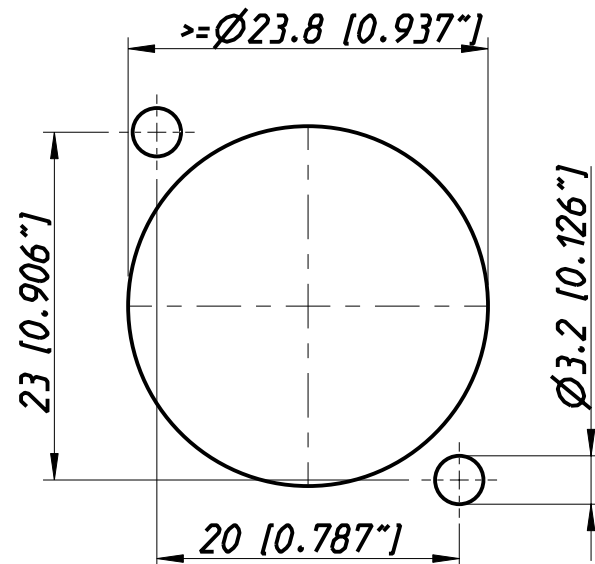


1/4"

XLR

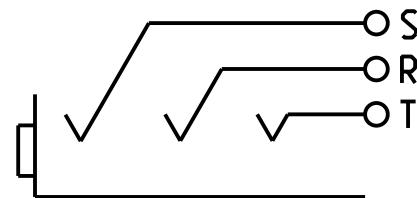


Frontplattenausschnitt (Frontseite)
Panel cut out (front side)

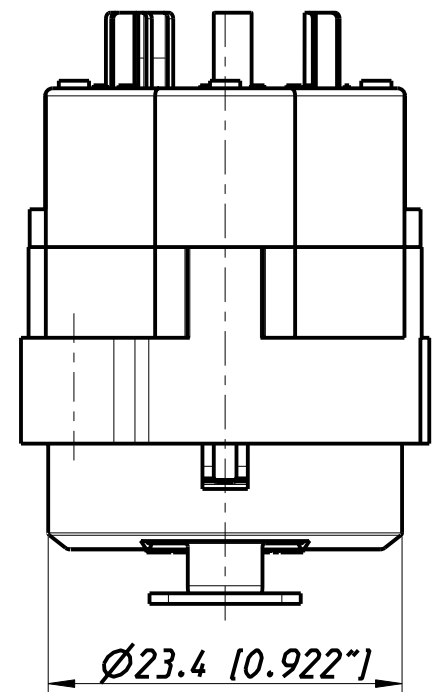
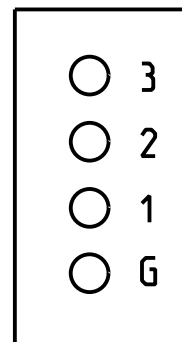


CONTACTS

JACK



XLR



Allgemeintoleranzen ISO 2768-m	Werkstoff	Massstab:	Datum	Name
	KEIN_MAT	2:1 (A3)	25.05.98	Dobler
Zeichnung urheberrechtlich geschützt (DIN 34) (C)	-		Freigegeben	-
			Geaenderl	07.11.03
Benennung			Aend.-Nr.	Aend.-Index
- NC J6F1-S			245-2003	A
			Ersatz fuer:	Blatt 1 von 1 Bl.
NEUTRIK AG FL-9494 SCHAAN			Zeichn. Nr.	
			3102ST1728	

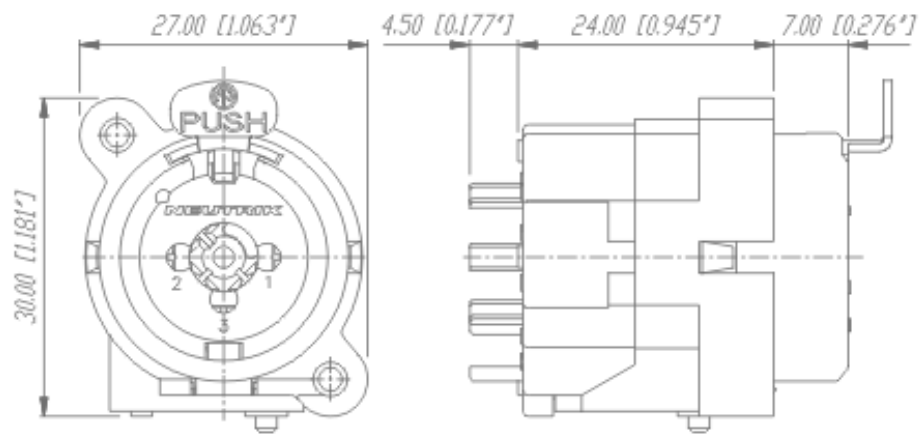


Combo Series



Audio

NCJ6FI-S



There are no technical infos for this product.

Product

Connector Type	Combo
Gender	female

Electrical

Contact resistance	< 10 mΩ (XLR)
Dielectric strength	1,5 kVdc
Insulation resistance	> 2 GΩ (initial)
Insulation resistance	> 0.5 GΩ (after damp heat test)
Rated current per contact	7,5 A (XLR)
Rated current per contact	7,5 A (Jack)
Rated voltage	50 V
Grounding options	Separate ground contact to mating connector shell and front panel

Mechanical

Insertion force	≤ 25 N
Withdrawal force	≤ 25 N
Lifetime	> 1000 mating cycles
Panel thickness	max. 7 mm "0.27"
Wire size	0::7 mm ²

Material

Contacts	(XLR and switch contacts) Bronze (CuSn6)
----------	--

Environmental	
Area of application	-30: : +80
Optical	
Mobile Cables	