



Audio

DL Series

[back](#)[Print](#)

NC7MD-L-1



Universal D-size metal body XLR panel mount series. UL recognized component.

7 pole male receptacle, solder cups, Nickel housing, silver contacts

Features & Benefits

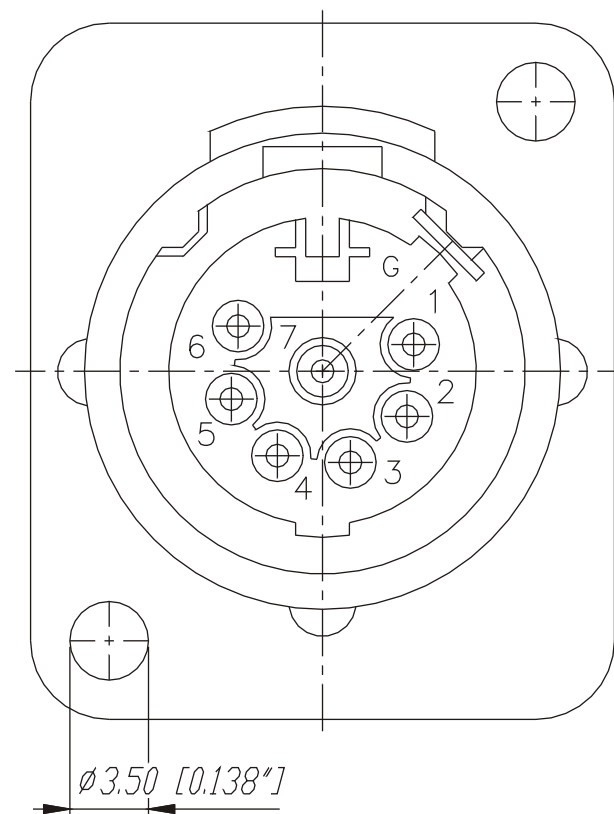
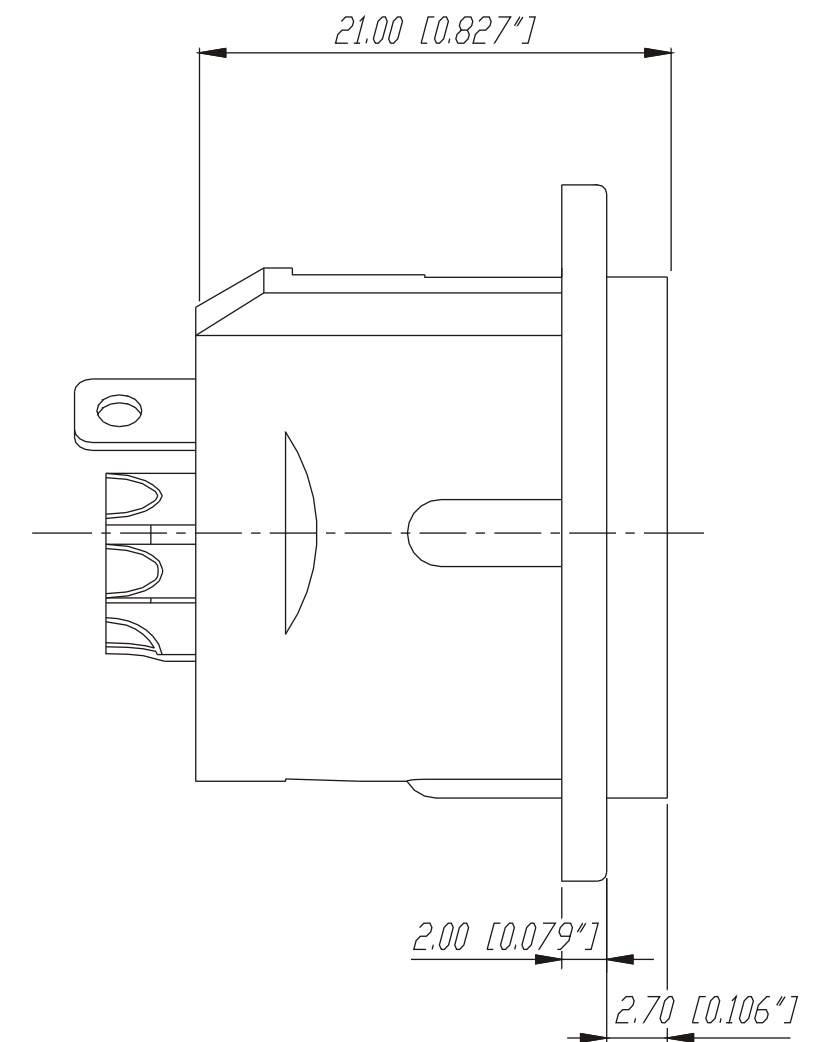
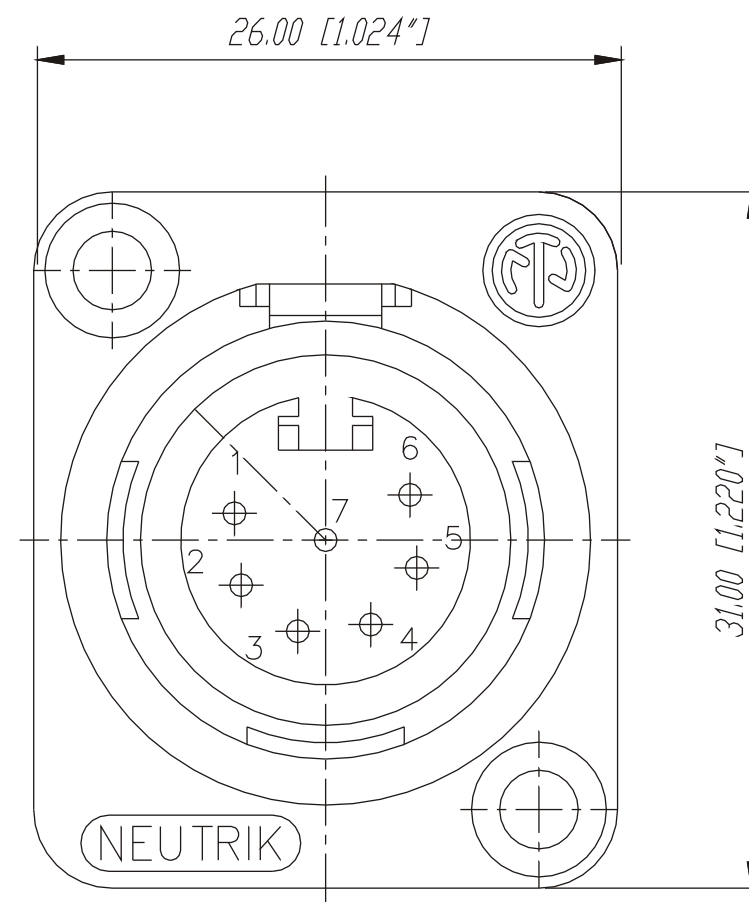
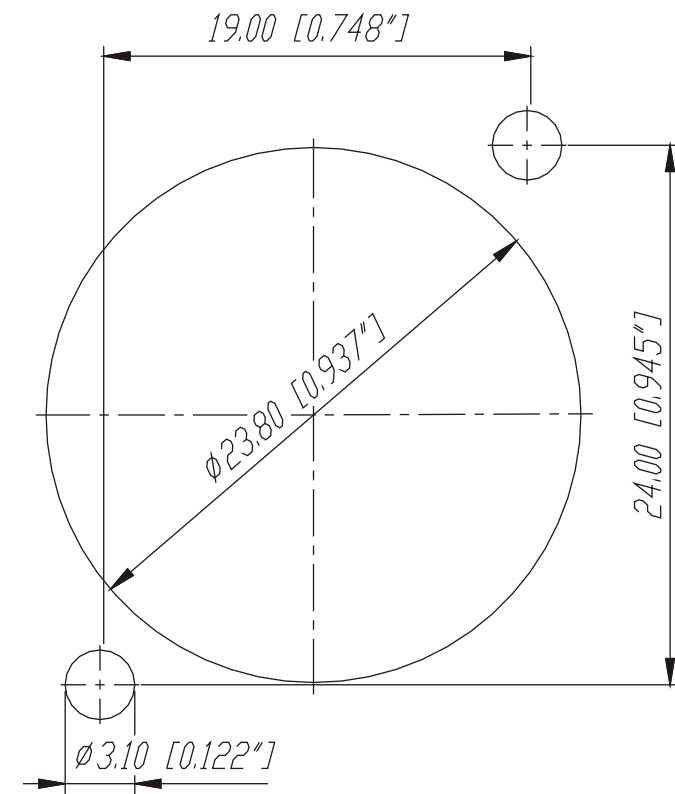
- Robust "D" metal shell
- Standardized D sized 24 mm panel cutout
- Solder cups on 3 - 7 pole version

ACCESSORIES



Frontplattenausschnitt (Rückseite)

Panel cut out (rear side)



					*Lieferant darf ohne Rucksprache nicht geandert werden	Werkstoff:	Massstab: 3:1	Gezeichnet	Datum 09.11.90	Name Illenberger
					Zeichnung urheberrechtlich geschuetzt (DIN 34) (C)			Geprueft		
					Benennung:			Gesehen		
								Ersetzt durch:		Blatt
								Ersatz fuer:		von Blatt
								Zeichn. Nr. 3102 St 10 21		
A	Aktuelle Zeichnung	05.03.98	Alinjak					NEUTRIK AG FL-9494 SCHAAN		
Ind.	Aenderung	Datum	Name							

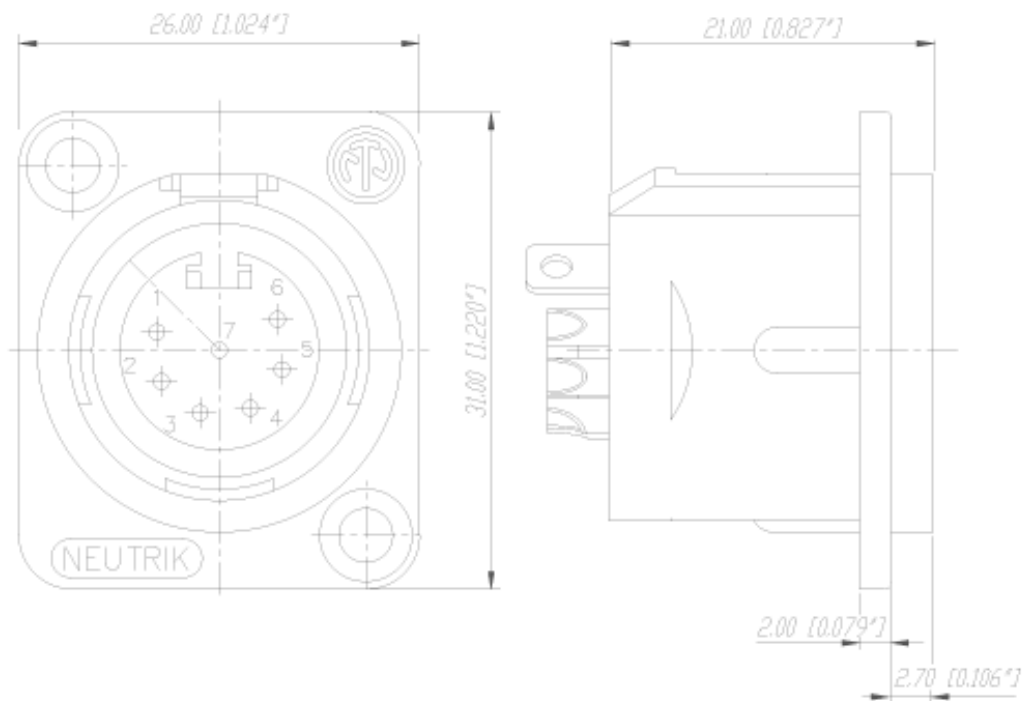


DL Series



Audio

NC7MD-L-1



There are no technical infos for this product.

Product

Connector Type	XLR
Gender	male

Electrical

Capacitance between contacts	≤ 9 pF
Contact resistance	≤ 5 m Ω
Dielectric strength	1,5 kVdc
Insulation resistance	> 2 G Ω (initial)
Insulation resistance	> 1 G Ω (after damp heat test)
Rated current per contact	5 A
Rated voltage	50 V

Mechanical

Insertion force	≤ 20 N
-----------------	-------------

Withdrawal force	≤ 20 N
Lifetime	> 1000 mating cycles
Wire size	max. 1.0 mm ²
Wire size	max. 18 AWG
Wiring	Solder contacts
Locking device	latch lock
Mounting direction	front & rear
Chassis shape	D

Material

Contact plating	2 μm Ag over 2 μm Ni
Contacts	Brass (CuZn39Pb3)
Insert	Polyamide (PA 6.6 30 % GR)
Locking element	Steel Ck67
Shell	Zinc diecast (ZnAl4Cu1)
Shell plating	Nickel

Environmental

Approvals	UL
Flammability	UL 94 HB
Standard compliance	IEC 61076-2-103
Solderability	Complies with IEC 68-2-20
Temperature range	-30 °C to +80 °C

Optical

Mobile Cables