[Print](#)

NC7FX-B



The "industry standard" XLR cable connector, easy to assemble with only 4 parts and no screws. Compact design with sturdy diecast shell, fibreglass reinforced hard plastic insert and chuck type strain relief for secure clamping of all cables.

7 pole female cable connector with black metal housing and gold contacts.

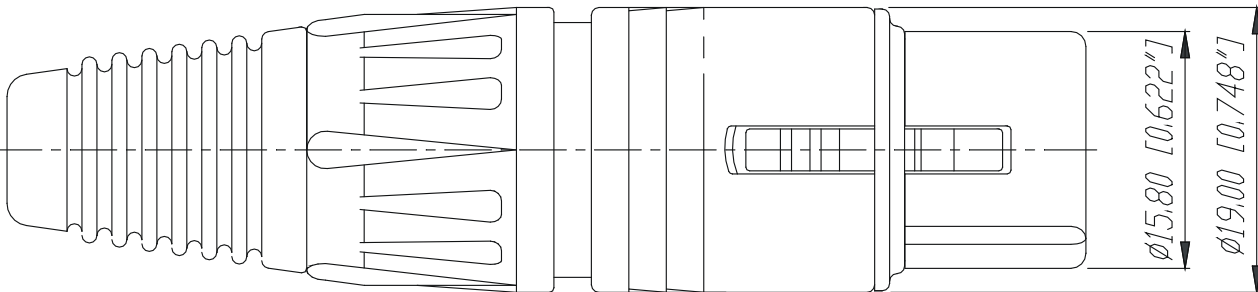
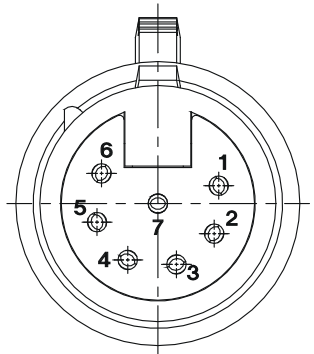
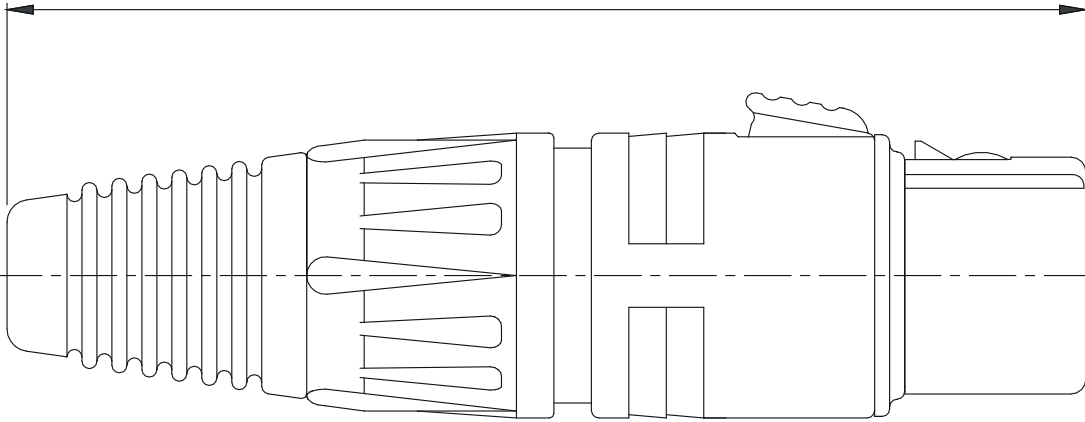
Features & Benefits

- Rugged zinc diecast shell, long lasting and durable
- Chuck type strain relief system for secure clamping of cables
- Boot with rubber gland gives high protection against bending stresses
- Coloured rings and boots available for coding and marking
- UL recognized components

ACCESSORIES



70,00-72,00 [2,756"-2,835"]



					Werkstoff:	Maßstab:		Datum	Name
				*)Lieferant darf ohne Ruecksprache nicht geaendert werden		2:1	Gezeichnet	14.11.90	Illenberger
							Zeichnung urheberrechtlich geschuetzt (DIN 34) (C)	Geprueft	
				Benennung:	X-Serie NC7FX			Ersetzt durch:	Blatt
								Erersatz fuer:	von Blatt
Ind.	Aenderung	Datum	Name	NEUTRIK AG FL-9494 SCHAAN			Zeichn. Nr.	3102 St 08 15	

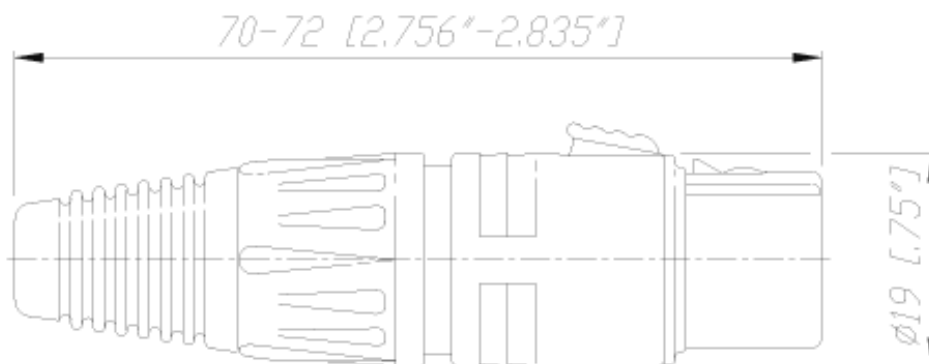


X Series



Audio

NC7FX-B



There are no technical infos for this product.

Product

Connector Type	XLR
Gender	female

Electrical

Capacitance between contacts	≤ 9 pF
Contact resistance	≤ 3 mΩ
Dielectric strength	1,5 kVdc
Insulation resistance	> 2 GΩ (initial)
Insulation resistance	> 1 GΩ (after damp heat test)
Rated current per contact	5 A
Rated voltage	50 V

Mechanical

Cable O.D.	3.5 - 8.0 mm
Insertion force	≤ 20 N
Withdrawal force	≤ 20 N
Lifetime	> 1000 mating cycles
Wire size	max. 1.0 mm ²
Wire size	max. 18 AWG
Wiring	Solder contacts

Locking device	latch lock
Material	
Boot	Polyuretan
Bushing	Polyamide (PA 6 15% GR)
Contact plating	0.2 µm Au hard alloy over 2 µm Ni
Contacts	Brass (CuZn39Pb3)
Insert	Polyamide (PA 6.6 30 % GR)
Locking element	St3K32 (latch) / Ck 67 (spring)
Shell	Zinc diecast (ZnAl4Cu1)
Shell plating	Black chromium
Strain relief	Polyacetal (POM)
Environmental	
Approvals	UL
Flammability	UL 94 HB
Standard compliance	IEC 61076-2-103
Protection class	IP 40
Solderability	Complies with IEC 68-2-20
Temperature range	-30 °C to +80 °C
Optical	
Mobile Cables	