



## P Series

Audio

[back](#)[Print](#)

### NC7FP-1



Smallest available traditional style metal panel mount connector with large solder cups for ease hard wiring.

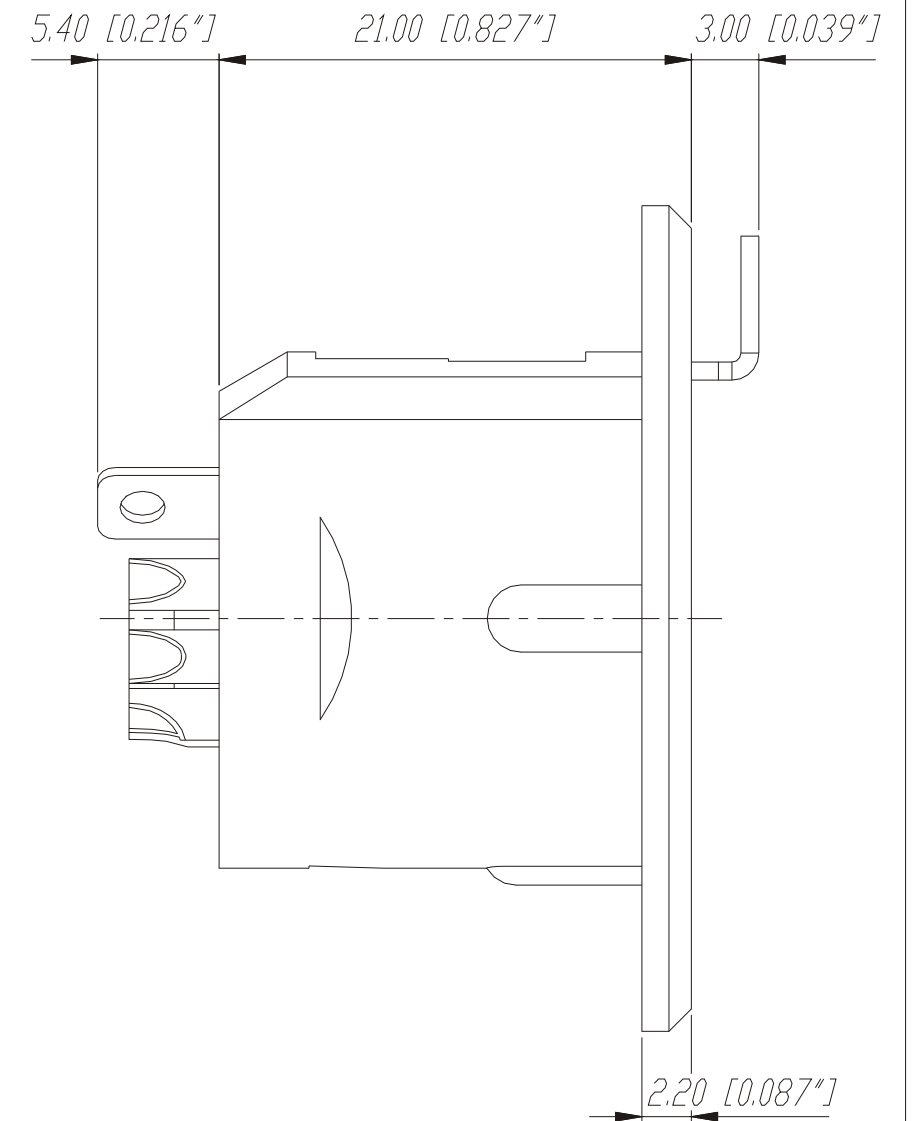
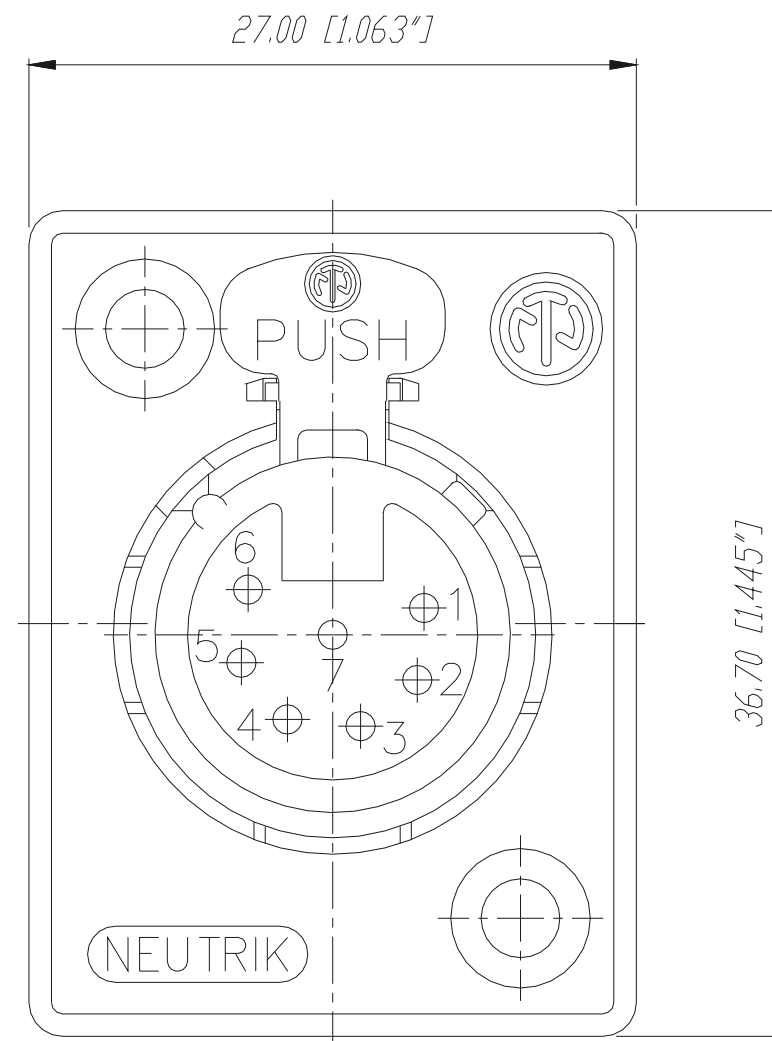
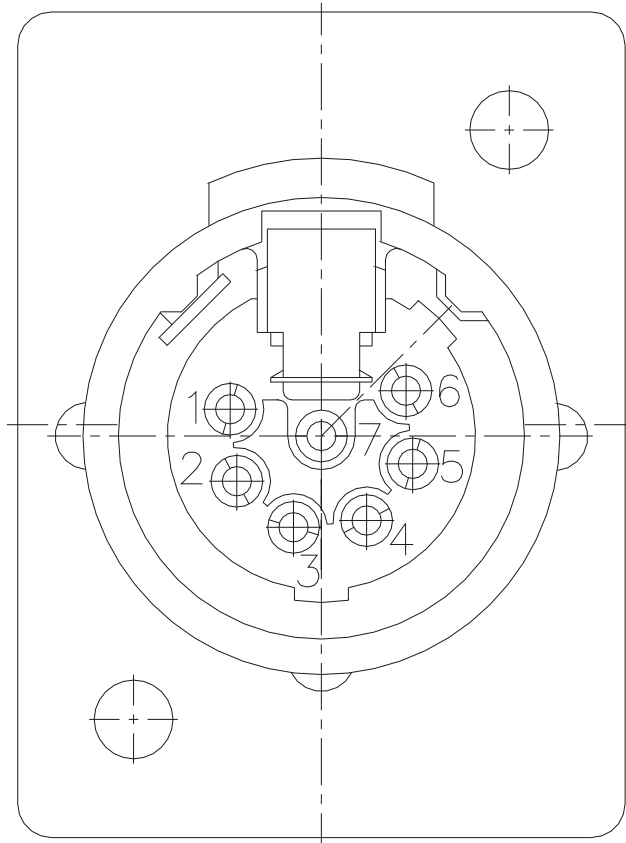
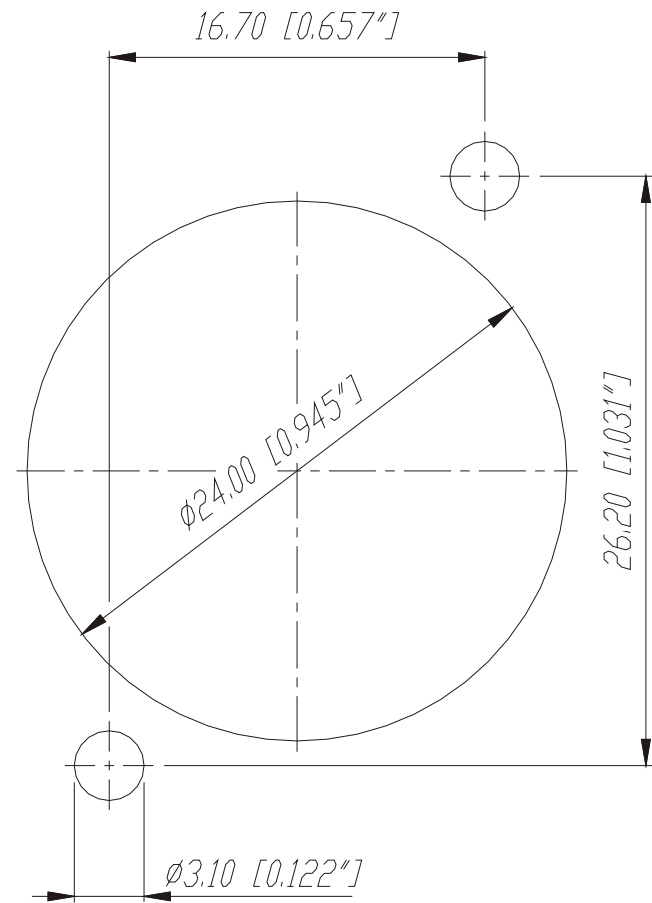
7 pole female receptacle, solder contacts, Nickel housing, silver contacts

#### Features & Benefits

- Smallest available hard wiring receptacles with large solder cups
- Short female receptacle
- Compatible with switchcraft D\*M, D\*F; Cannon XLB2\*31, XLB2\*32

Frontplattenausschnitt (Rückseite)

Panel cut out (rear side)



Ind.	Aenderung	Datum	Name	Benennung:	Werkstoff:	Massstab:	Gezeichnet	Datum	Name
				(FP-1)		2:1		09.11.90	Illenberger
				NC7FP-1			Geprueft		
							Gesehen		
							Ersetzt durch:		Blatt
							Ersatz fuer:		von Blatt
A	Aktuelle Zeichnung	25.03.98	Alinjak						
				<b>NEUTRIK AG</b> FL-9494 SCHAAN			Zeichn. Nr.		3102 St 11 16

\*Lieferant darf ohne  
Ruecksprache nicht  
geaendert werden

Zeichnung urheberrechtlich  
geschuetzt (DIN 34) (C)

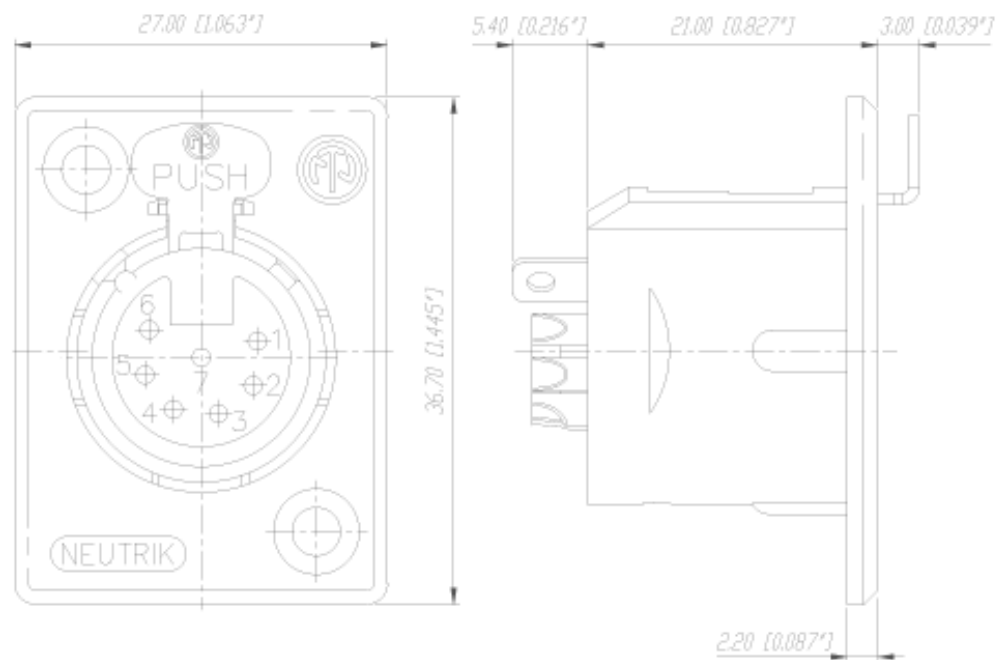


## P Series



Audio

### NC7FP-1



There are no technical infos for this product.

Product	
Connector Type	XLR
Gender	female
Electrical	
Capacitance between contacts	≤ 9 pF
Contact resistance	≤ 5 mΩ
Dielectric strength	1,5 kVdc
Insulation resistance	> 2 GΩ (initial)
Insulation resistance	> 1 GΩ (after damp heat test)
Rated current per contact	5 A
Rated voltage	50 V
Mechanical	
Insertion force	≤ 20 N
Withdrawal force	≤ 20 N

Lifetime	> 1000 mating cycles
Wire size	max. 1.0 mm <sup>2</sup>
Wire size	max. 18 AWG
Wiring	Solder contacts
Locking device	latch lock
Mounting direction	front
Chassis shape	P

### Material

Contact plating	2 µm Ag over 2 µm Ni
Contacts	Brass (CuZn39Pb3)
Insert	Polyamide (PA 6.6 30 % GR)
Locking element	Steel Ck67
Shell	Zinc diecast (ZnAl4Cu1)
Shell plating	Nickel

### Environmental

Flammability	UL 94 HB
Standard compliance	IEC 61076-2-103
Solderability	Complies with IEC 68-2-20
Temperature range	-30 °C to +80 °C

### Optical

### Mobile Cables