



Audio

P Series

[back](#)[Print](#)

NC6MP-BAG



Smallest available traditional style metal panel mount connector with large solder cups for ease hard wiring.

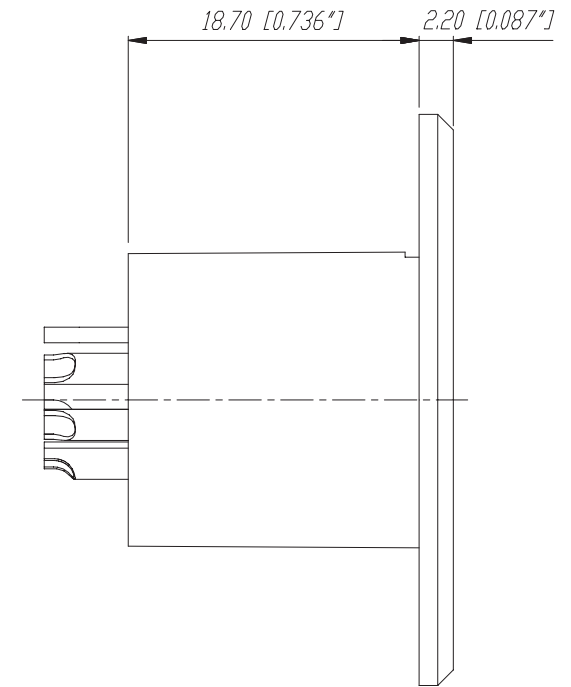
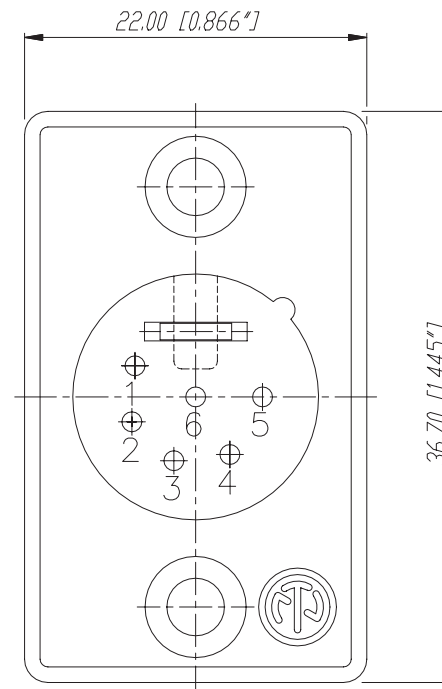
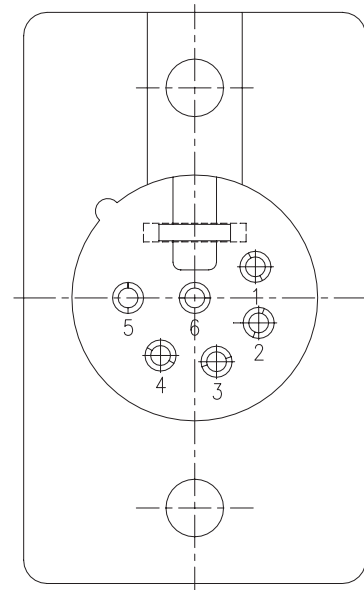
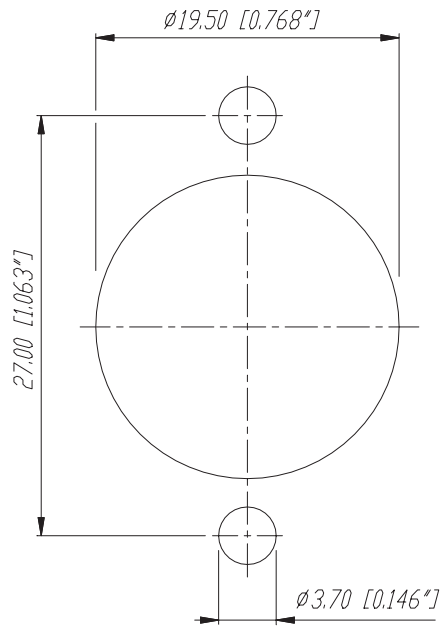
6 pole male receptacle, solder contacts, black metal housing, silver contacts

Features & Benefits

- Smallest available hard wiring receptacles with large solder cups
- Compatible with switchcraft D*M, D*F; Cannon XLB2*31, XLB2*32
- 6 pole version available with Switchcraft contact arrangement (NC6FSP-1, NC6MSP)

Frontplattenausschnitt (Rückseite)

Panel cut out (rear side)



Ind.	Aenderung	Datum	Name	Werkstoff:	Massstab:	Gezeichnet	Datum	Name	
				*Lieferant darf ohne Ruecksprache nicht geaendert werden Zeichnung urheberrechtlich geschuetzt (DIN 34) (C) Benennung: NC6MP-B NEUTRIK AG FL-9494 SCHAAN	3:1	03.04.98	03.04.98	Alinjak	
			Geprueft						
			Gesehen						
			Ersetzt durch:						Blatt
						Ersetzt fuer:		von Blatt	
						Zeichn. Nr.	3102 St 11 31		



P Series



Audio

NC6MP-BAG

There are no technical infos for this product.

Product

Connector Type	XLR
Gender	male

Electrical

Capacitance between contacts	≤ 7 pF
Contact resistance	≤ 5 m Ω
Dielectric strength	1,5 kVdc
Insulation resistance	> 2 G Ω (initial)
Insulation resistance	> 1 G Ω (after damp heat test)
Rated current per contact	7,5 A
Rated voltage	50 V

Mechanical

Insertion force	≤ 20 N
Withdrawal force	≤ 20 N
Lifetime	> 1000 mating cycles
Wire size	max. 1.0 mm ²
Wire size	max. 18 AWG
Wiring	Solder contacts
Locking device	latch lock
Mounting direction	front
Chassis shape	P

Material

Contact plating	2 μ m Ag over 2 μ m Ni
Contacts	Brass (CuZn39Pb3)
Insert	Polyamide (PA 6.6 30 % GR)
Locking element	Steel Ck67
Shell	Zinc diecast (ZnAl4Cu1)
Shell plating	Black chromium

Environmental

Flammability	UL 94 HB
Standard compliance	IEC 61076-2-103
Solderability	Complies with IEC 68-2-20

Temperature range -30 °C to +80 °C

Optical

Mobile Cables