



## NC5MX-B

The "industry standard" XLR cable connector, easy to assemble with only 4 parts and no screws. Compact design with sturdy diecast shell, fibreglass reinforced hard plastic insert and chuck type strain relief for secure clamping of all cables.

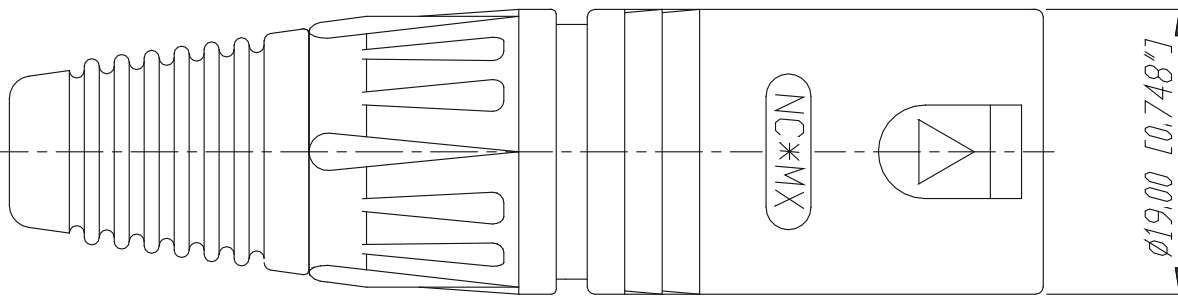
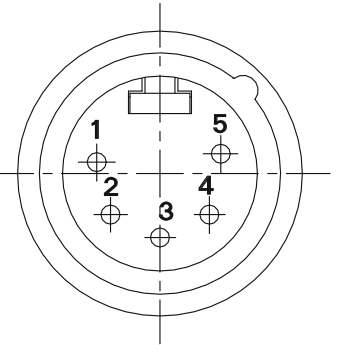
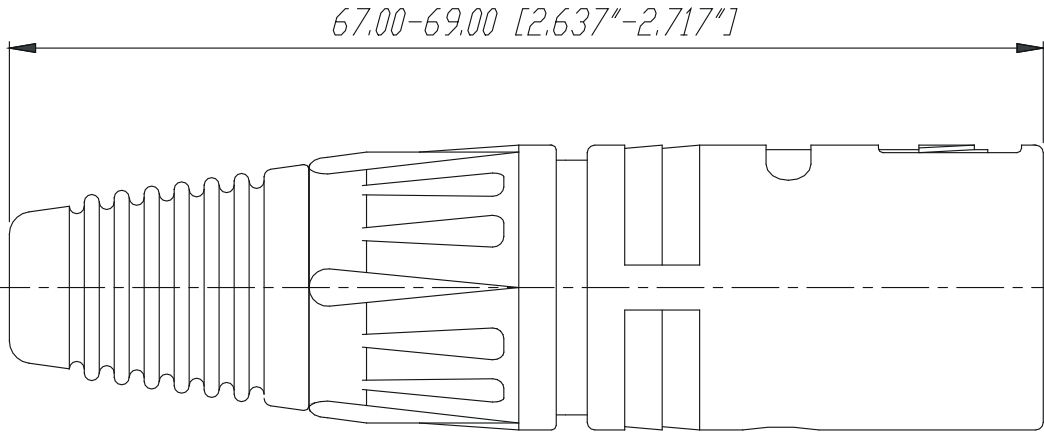
5 pole male cable connector with black metal housing and gold contacts.

### Features & Benefits

- Rugged zinc diecast shell, long lasting and durable
- Chuck type strain relief system for secure clamping of cables
- Boot with rubber gland gives high protection against bending stresses
- Coloured rings and boots available for coding and marking
- UL recognized components

### ACCESSORIES



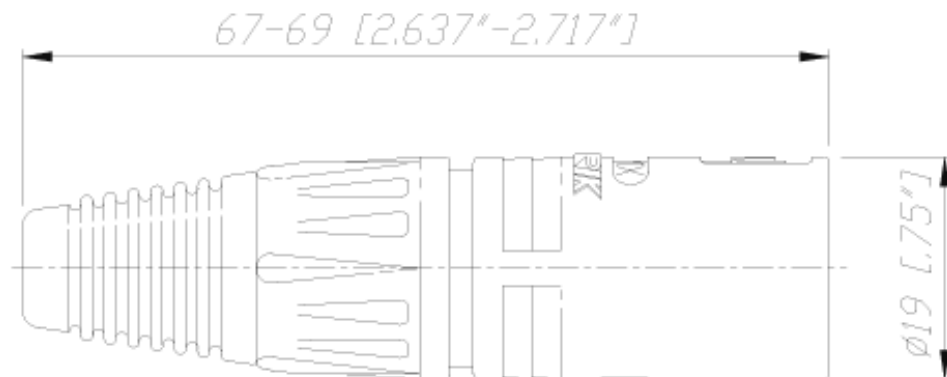


					Werkstoff:	Massstab:		Datum	Name
				*Lieferant darf ohne Ruecksprache nicht geaendert werden		2:1	Gezeichnet	26.05.98	Alinjak
				Zeichnung urheberrechtlich geschuetzt (DIN 34) (C)			Geprueft		
				Benennung:	X-Serie		Gesehen		
					NC5MX		Ersetzt durch:		Blatt
							Ersatz fuer:		von Blatt
							Zechn. Nr.		
Ind.	Aenderung	Datum	Name	<b>NEUTRIK AG FL-9494 SCHAAN</b>			3102 St 08 35		



## X Series

### NC5MX-B



There are no technical infos for this product.

Product	
Connector Type	XLR
Gender	male
Electrical	
Capacitance between contacts	≤ 7 pF
Contact resistance	≤ 3 mΩ
Dielectric strength	1,5 kVdc
Insulation resistance	> 2 GΩ (initial)
Insulation resistance	> 1 GΩ (after damp heat test)
Rated current per contact	7,5 A
Rated voltage	50 V
Mechanical	
Cable O.D.	3.5 - 8.0 mm
Insertion force	≤ 20 N
Withdrawal force	≤ 20 N
Lifetime	> 1000 mating cycles
Wire size	max. 1.0 mm <sup>2</sup>
Wire size	max. 18 AWG
Wiring	Solder contacts
Locking device	latch lock

## Material

Boot	Polyuretan
Bushing	Polyamide (PA 6 15% GR)
Contact plating	0.2 µm Au hard alloy over 2 µm Ni
Contacts	Brass (CuZn39Pb3)
Insert	Polyamide (PA 6.6 30 % GR)
Locking element	St3K32 (latch) / Ck 67 (spring)
Shell	Zinc diecast (ZnAl4Cu1)
Shell plating	Black chromium
Strain relief	Polyacetal (POM)

## Environmental

Approvals	UL
Flammability	UL 94 HB
Standard compliance	IEC 61076-2-103
Protection class	IP 40
Solderability	Complies with IEC 68-2-20
Temperature range	-30 °C to +80 °C

## Optical

## Mobile Cables