



DL Series

Audio



NC5MDM3-H

Universal D-size metal body XLR panel mount series. UL recognized component.

5 pole male receptacle, horizontal PCB mount, Nickel housing, silver contacts, M3 mounting holes

Features & Benefits

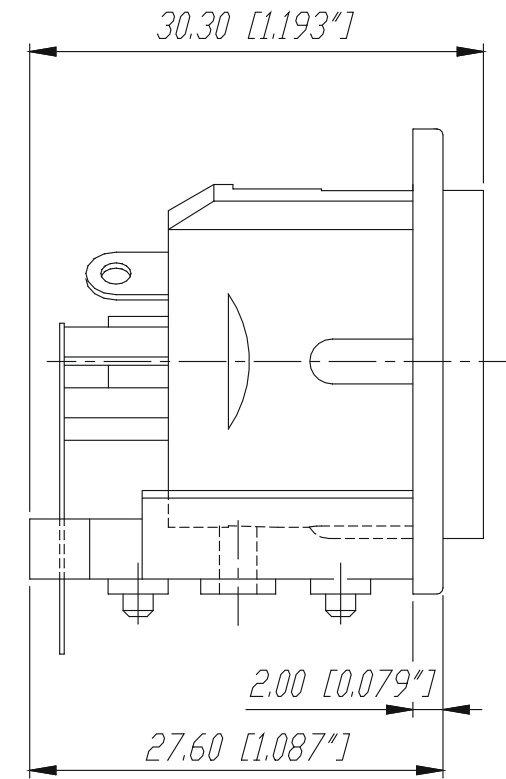
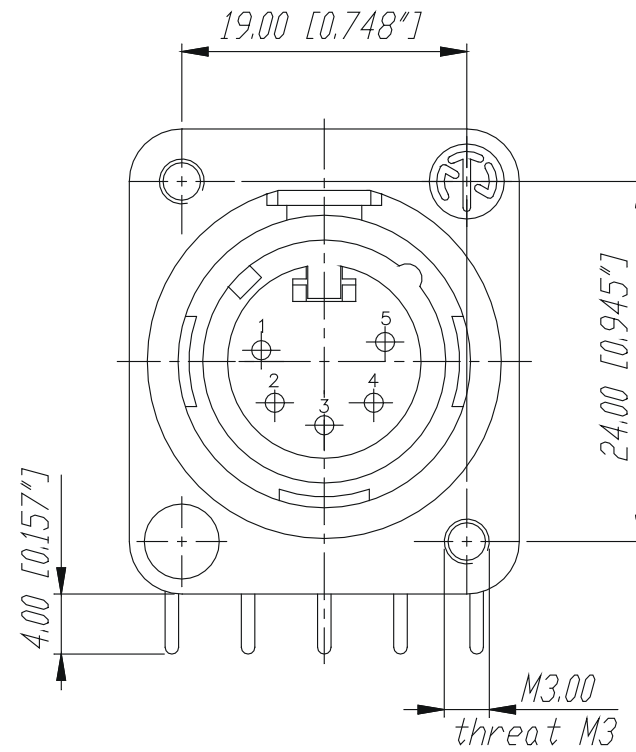
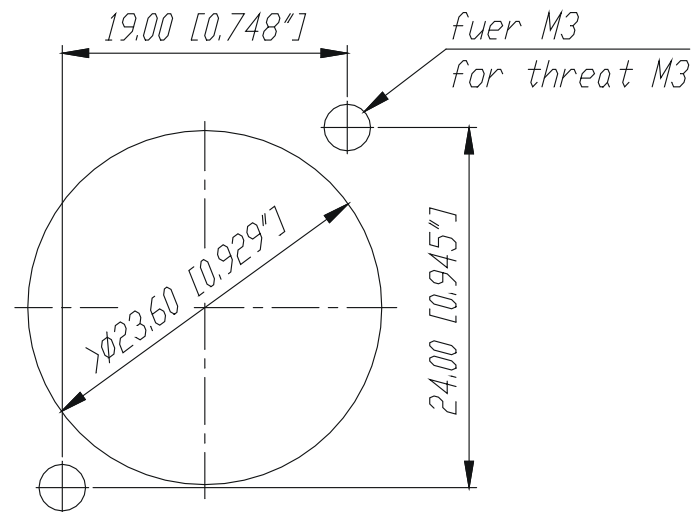
- Robust "D" metal shell
- Standardized D sized 24 mm panel cutout
- PCB mount termination

ACCESSORIES



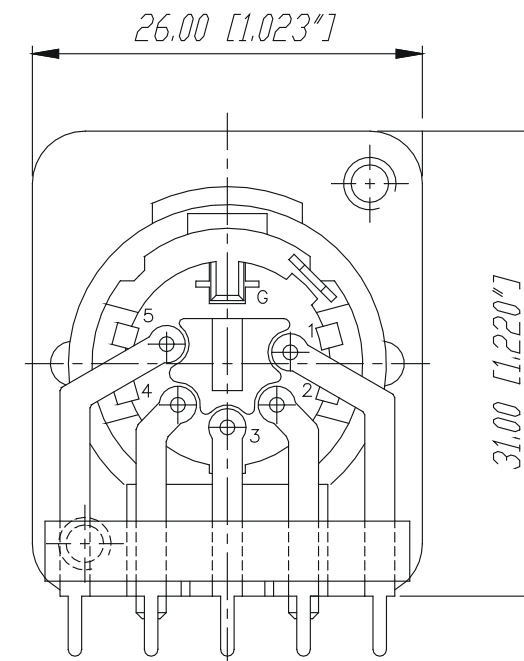
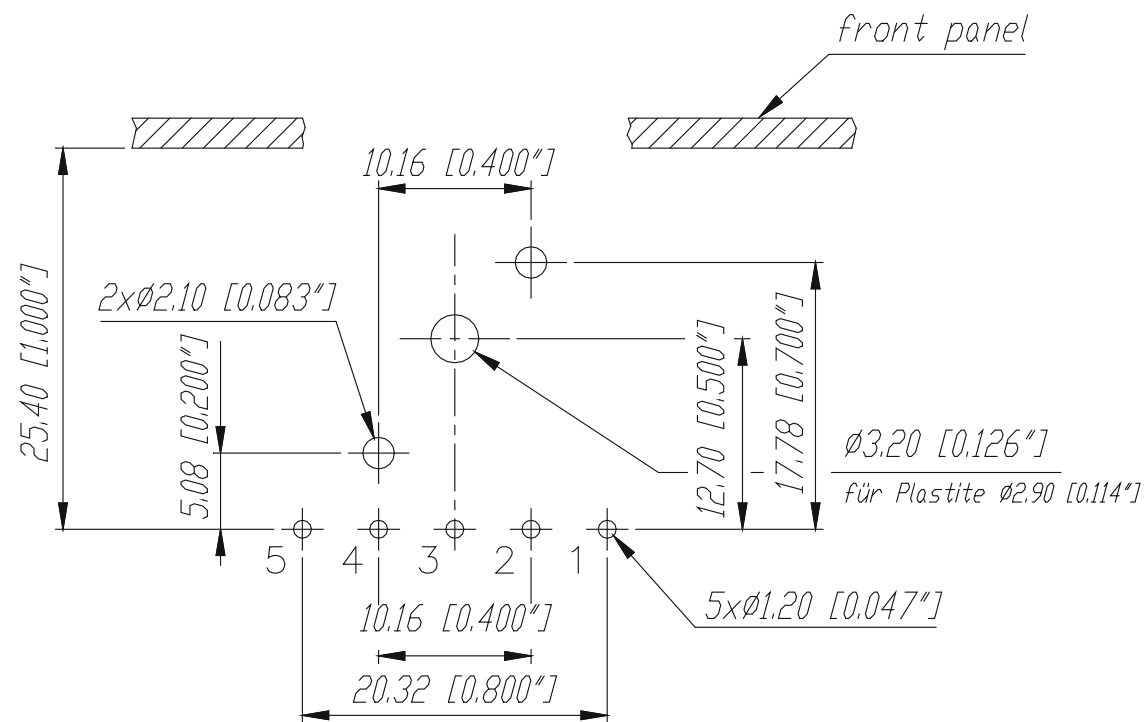
Frontplattenausschnitt (Rückseite)

Panel cut out (rear side)



Print-Bohrplan (Bestückungsseite)

PCB-LAYOUT (component side)



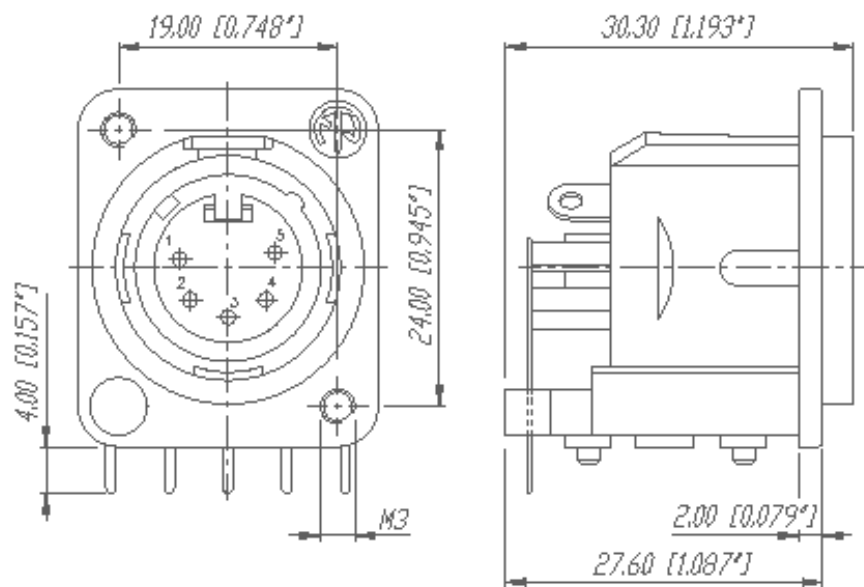
Ind.	Aenderung	Datum	Name	Werkstoff:	Massstab:	Gezeichnet	Datum	Name
				*)Lieferant darf ohne Rucksprache nicht geaendert werden Zeichnung urheberrechtlich geschuetzt (DIN 34) (C)	2:1	10.11.93	Loretz	
						Ersetzt durch:	Blatt	
C	Aktuelle Zeichnung	03.03.98	Alinjak	Benennung: NC5MDM3-H NEUTRIK AG FL-9494 SCHAAN				
B	Groundkontakt	27.03.95	Loretz			Ersetzt fuer:	von Blatt	
A	\phi 3.20	27.03.95	Loretz					
						Zeichn. Nr.	3102 St 10 29	



Audio

DL Series

NC5MDM3-H



There are no technical infos for this product.

Product

Connector Type	XLR
Gender	male

Electrical

Capacitance between contacts	≤ 7 pF
Contact resistance	≤ 5 m Ω
Dielectric strength	1,5 kVdc
Insulation resistance	> 2 G Ω (initial)
Insulation resistance	> 1 G Ω (after damp heat test)
Rated current per contact	7,5 A
Rated voltage	50 V

Mechanical

Insertion force	≤ 20 N
Withdrawal force	≤ 20 N
Lifetime	> 1000 mating cycles
Wiring	Horizontal PCB mount
Locking device	latch lock

Mounting direction	rear
Chassis shape	D
Mounting	Mounting holes with M3 threads

Material

Contact plating	2 µm Ag over 2 µm Ni
Contacts	Brass (CuZn39Pb3)
Insert	Polyamide (PA 6.6 30 % GR)
Locking element	Steel Ck67
Shell	Zinc diecast (ZnAl4Cu1)
Shell plating	Nickel

Environmental

Approvals	UL
Flammability	UL 94 HB
Standard compliance	IEC 61076-2-103
Solderability	Complies with IEC 68-2-20
Temperature range	-30 °C to +80 °C

Optical

Mobile Cables