



## NC5FP-1



Smallest available traditional style metal panel mount connector with large solder cups for ease hard wiring.

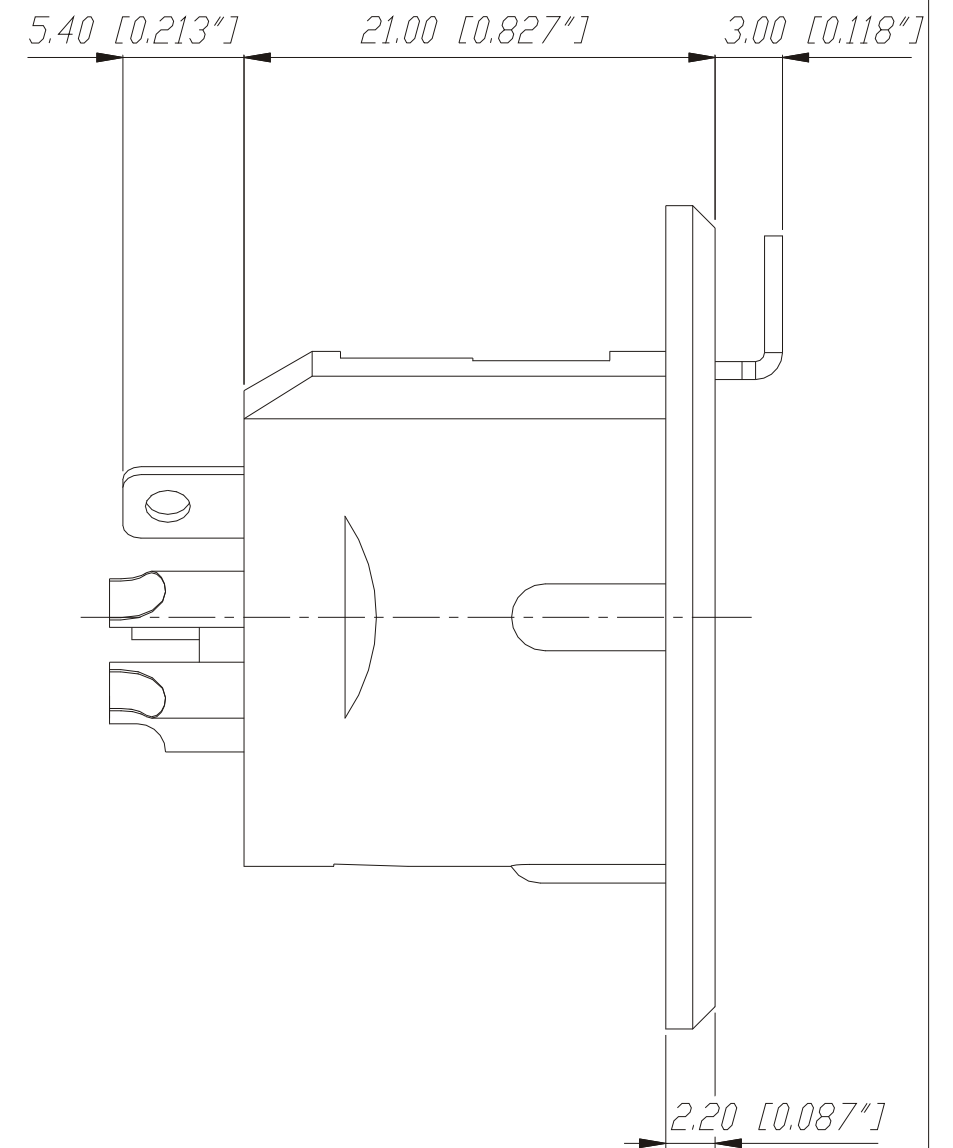
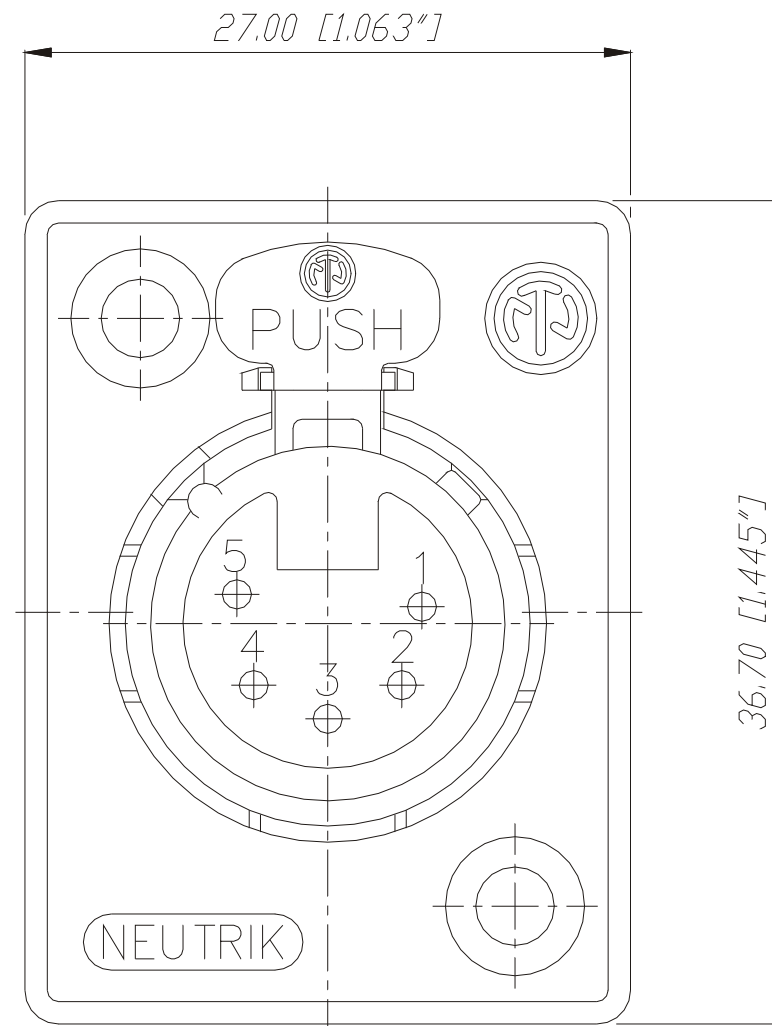
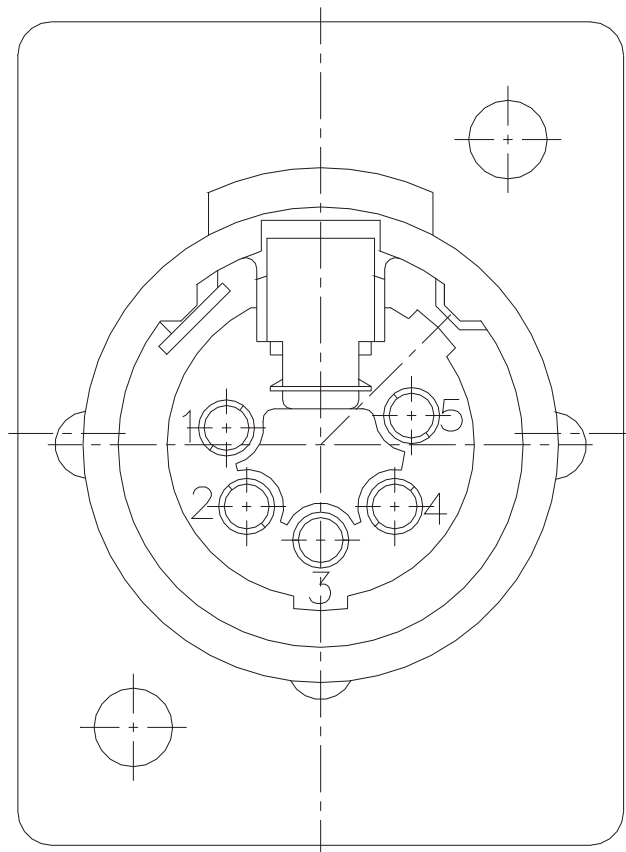
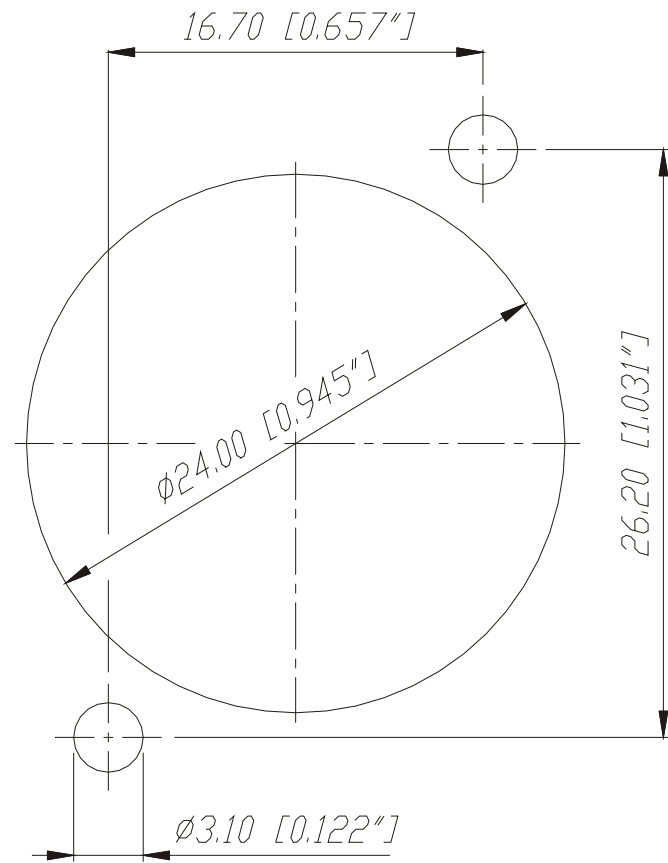
5 pole female receptacle, solder contacts, black metal housing, silver contacts

### Features & Benefits

- Smallest available hard wiring receptacles with large solder cups
- Short female receptacle
- Compatible with switchcraft D\*M, D\*F; Cannon XLB2\*31, XLB2\*32

Frontplattenausschnitt (Rückseite)

Panel cut out (rear side)



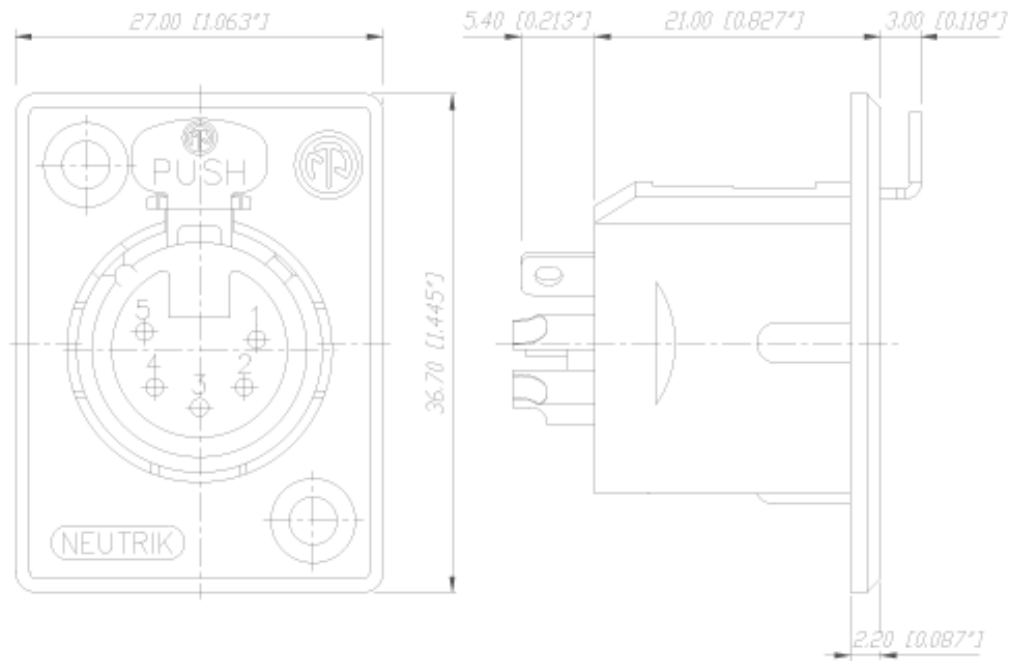
				Werkstoff:	Massstab:	Datum	Name	
				*)Lieferant darf ohne Ruecksprache nicht geaendert werden  Zeichnung urheberrechtlich geschuetzt (DIN 34) (C)	3:1	07.02.96	Dobler	
						Gezeichnet		
						Gepueft		
				Benennung:	(FP-1)	Ersetzt durch:	Blatt	
					NC5FP-1	Ersatz fuer:	von Blatt	
A	Aktuelle Zeichnung	27.03.98	Alinjak	<b>NEUTRIK AG</b> FL-9494 SCHAAN		Zeichn. Nr.	3102 St 11 27	
Ind.	Aenderung	Datum	Name					



Audio

## P Series

### NC5FP-1



There are no technical infos for this product.

#### Product

Connector Type	XLR
Gender	female

#### Electrical

Capacitance between contacts	$\leq 7$ pF
Contact resistance	$\leq 5$ m $\Omega$
Dielectric strength	1,5 kVdc
Insulation resistance	$> 2$ G $\Omega$ (initial)
Insulation resistance	$> 1$ G $\Omega$ (after damp heat test)
Rated current per contact	7,5 A
Rated voltage	50 V

#### Mechanical

Insertion force	$\leq 20$ N
-----------------	-------------

Withdrawal force	≤ 20 N
Lifetime	> 1000 mating cycles
Wire size	max. 1.0 mm <sup>2</sup>
Wire size	max. 18 AWG
Wiring	Solder contacts
Locking device	latch lock
Mounting direction	front
Chassis shape	P

### Material

Contact plating	2 μm Ag over 2 μm Ni
Contacts	Brass (CuZn39Pb3)
Insert	Polyamide (PA 6.6 30 % GR)
Locking element	Steel Ck67
Shell	Zinc diecast (ZnAl4Cu1)
Shell plating	Nickel

### Environmental

Flammability	UL 94 HB
Standard compliance	IEC 61076-2-103
Solderability	Complies with IEC 68-2-20
Temperature range	-30 °C to +80 °C

### Optical

### Mobile Cables