



DL Series

NC4FD-L-1



Universal D-size metal body XLR panel mount series. UL recognized component.

4 pole female receptacle, solder cups, Nickel housing, silver contacts

Features & Benefits

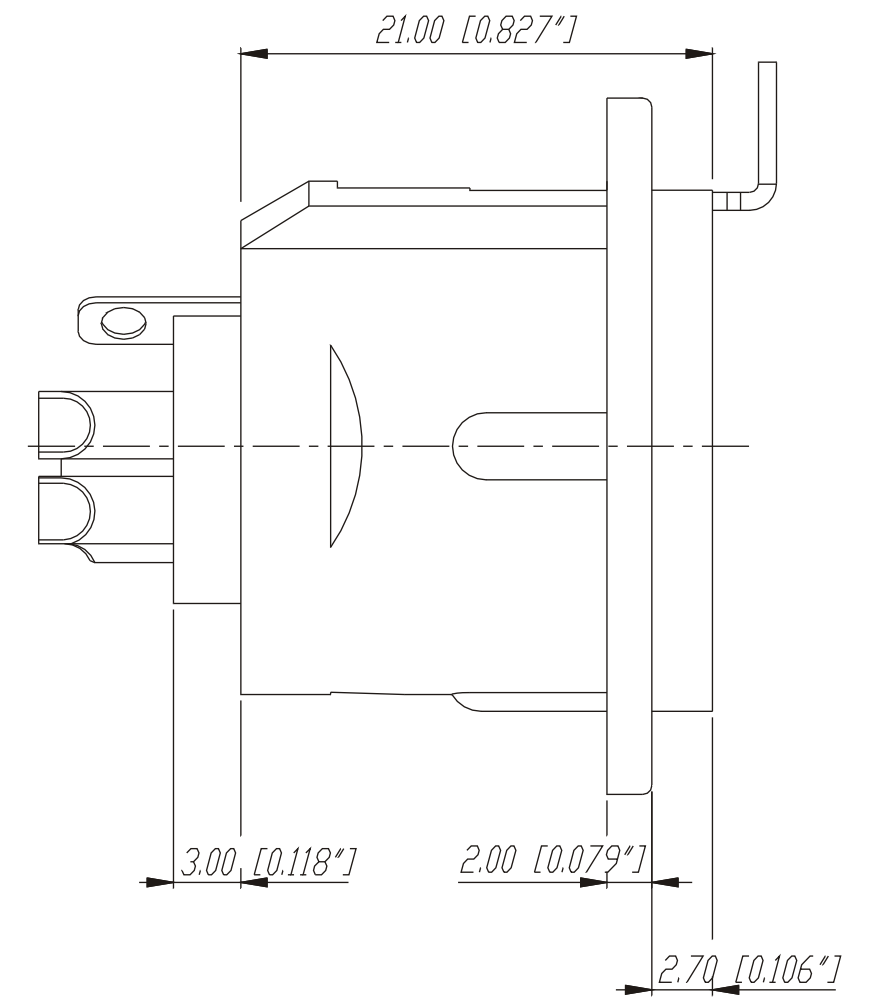
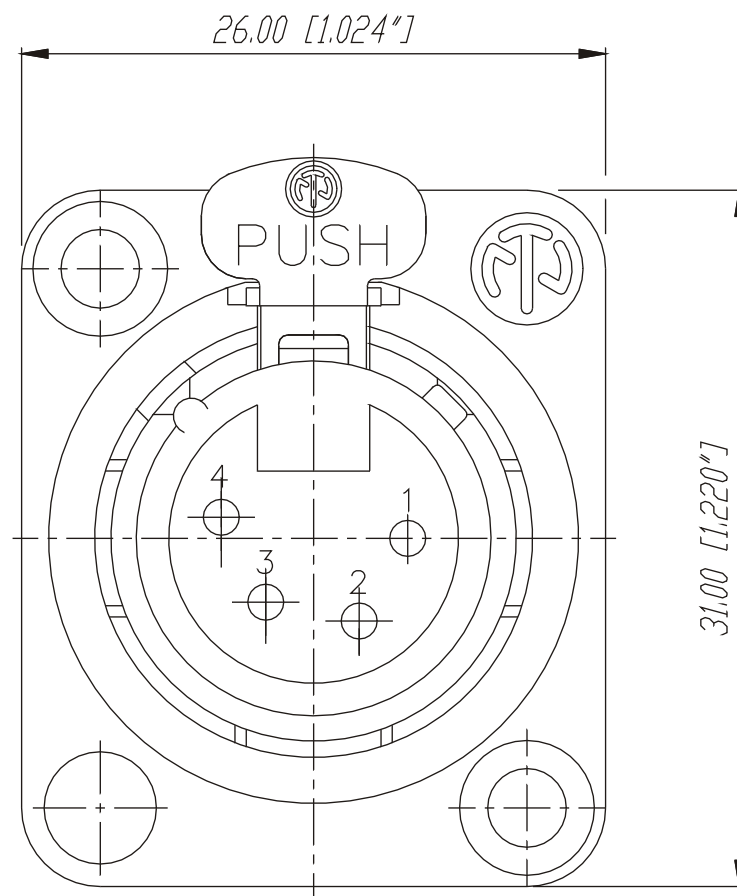
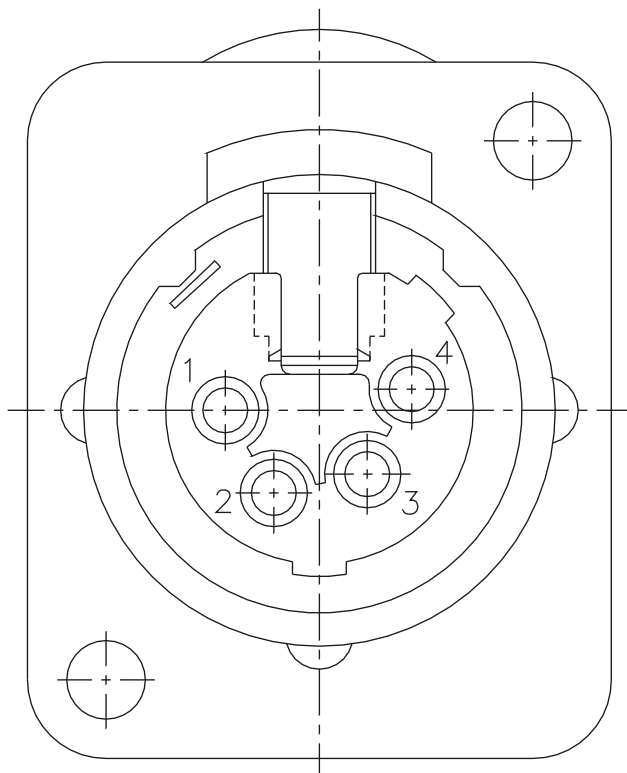
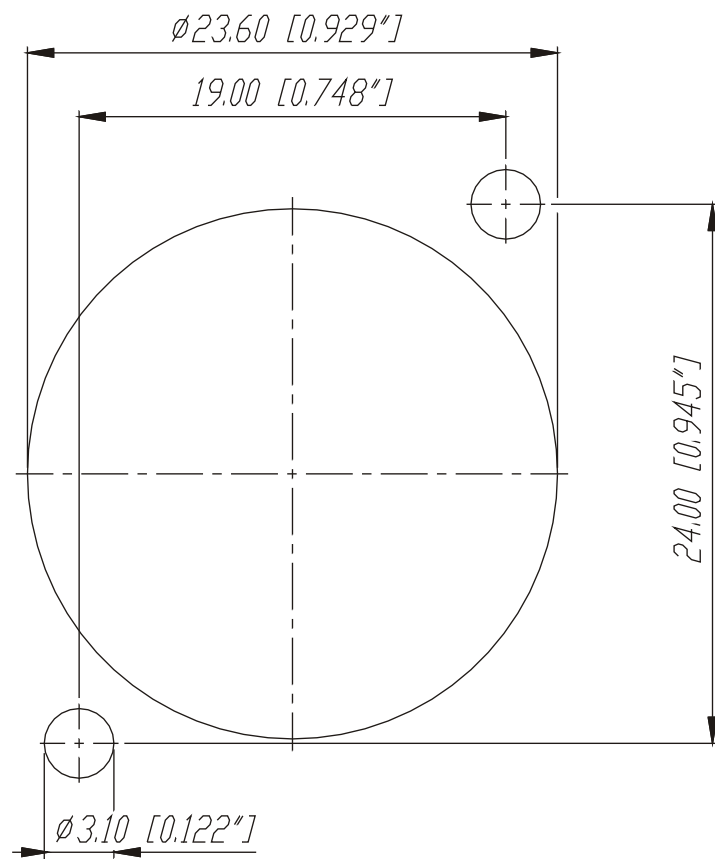
- Robust "D" metal shell
- Standardized D sized 24 mm panel cutout
- Solder cups on 3 - 7 pole version

ACCESSORIES

SCDR	SCDX	DSS-*	MFD

Frontplattenausschnitt (Rückseite)

Panel cut out (rear side)



				Werkstoff:	Massstab:	Gezeichnet	Datum	Name
*)Lieferant darf ohne Ruecksprache nicht geaendert werden					3:1	06.07.89	06.07.89	Martinek
Zeichnung urheberrechtlich geschuetzt (DIN 34) (C)						Gepuert		
Benennung:				NC4FDL-1		Gesehen		
B	Aktuelles Gehäuse	27.02.98	Alin jak			Ersetzt durch:		Blatt
A	CAD	10.08.92	Blaickn.			Ersatz fuer:		von Blatt
Ind.	Aenderung	Datum	Name	NEUTRIK AG FL-9494 SCHAAN		Zeichn. Nr.	3102 St 10 12	



DL Series

NC4FD-L-1

There are no technical infos for this product.

Product	
Connector Type	XLR
Gender	female
Electrical	
Capacitance between contacts	≤ 7 pF
Contact resistance	≤ 5 mΩ
Dielectric strength	1,5 kVdc
Insulation resistance	> 2 GΩ (initial)
Insulation resistance	> 1 GΩ (after damp heat test)
Rated current per contact	10 A
Rated voltage	50 V
Mechanical	
Insertion force	≤ 20 N
Withdrawal force	≤ 20 N
Lifetime	> 1000 mating cycles
Wire size	max. 1.5 mm ²
Wire size	max. 16 AWG
Wiring	Solder contacts
Locking device	latch lock
Mounting direction	front & rear
Chassis shape	D
Material	
Contact plating	2 μm Ag over 2 μm Ni
Contacts	Brass (CuZn39Pb3)
Insert	Polyamide (PA 6.6 30 % GR)
Locking element	Steel Ck67
Shell	Zinc diecast (ZnAl4Cu1)
Shell plating	Nickel
Environmental	
Approvals	UL
Flammability	UL 94 HB
Standard compliance	IEC 61076-2-103
Solderability	Complies with IEC 68-2-20
Temperature range	-30 °C to +80 °C
Optical	
Mobile Cables	