



## NC3MP



Smallest available traditional style metal panel mount connector with large solder cups for ease hard wiring.

3 pole male receptacle, solder contacts, Nickel housing, silver contacts

### Features & Benefits

- Smallest available hard wiring receptacles with large solder cups
- Compatible with switchcraft D\*M, D\*F; Cannon XLB2\*31, XLB2\*32

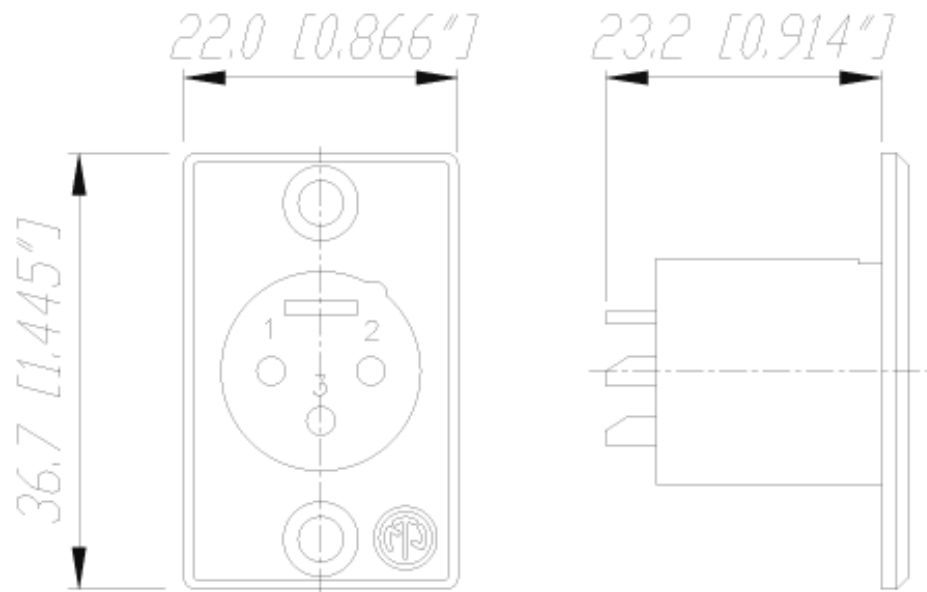




Audio

## P Series

### NC3MP



There are no technical infos for this product.

#### Product

Connector Type	XLR
Gender	male

#### Electrical

Capacitance between contacts	$\leq 4$ pF
Contact resistance	$\leq 5$ m $\Omega$
Dielectric strength	1,5 kVdc
Insulation resistance	$> 2$ G $\Omega$ (initial)
Insulation resistance	$> 1$ G $\Omega$ (after damp heat test)
Rated current per contact	16 A
Rated voltage	50 V

#### Mechanical

Insertion force	$\leq 20$ N
Withdrawal force	$\leq 20$ N

Lifetime	> 1000 mating cycles
Wiring	Solder contacts
Locking device	latch lock
Mounting direction	front
Chassis shape	P

### Material

Contact plating	2 µm Ag over 2 µm Ni
Contacts	Brass (CuZn35Pb2)
Insert	Polyamide (PA 6.6 30 % GR)
Locking element	Steel Ck67
Shell	Zinc diecast (ZnAl4Cu1)

### Environmental

Flammability	UL 94 HB
Standard compliance	IEC 61076-2-103
Solderability	Complies with IEC 68-2-20
Temperature range	-30 °C to +80 °C

### Optical

### Mobile Cables