



## DL Series

### NC3MD-L-BAG-1



Universal D-size metal body XLR panel mount series. UL recognized component.

3 pole male receptacle, solder cups, black metal housing, silver contacts

#### Features & Benefits

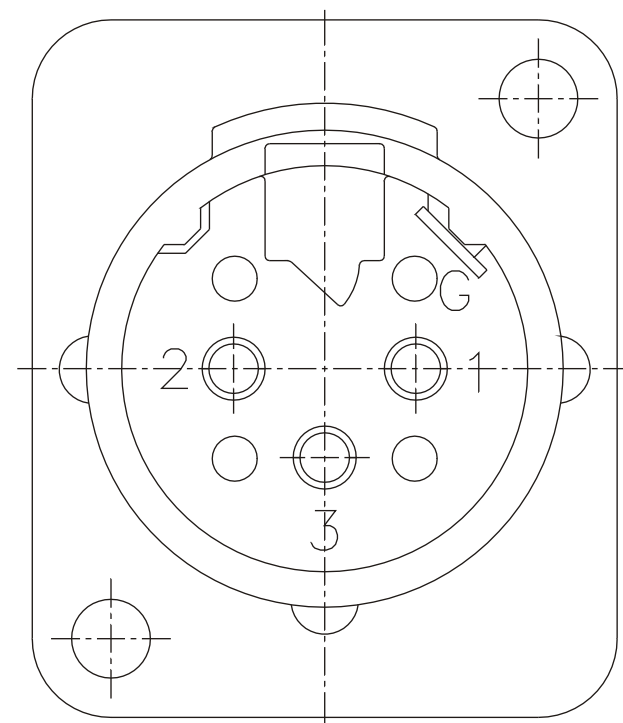
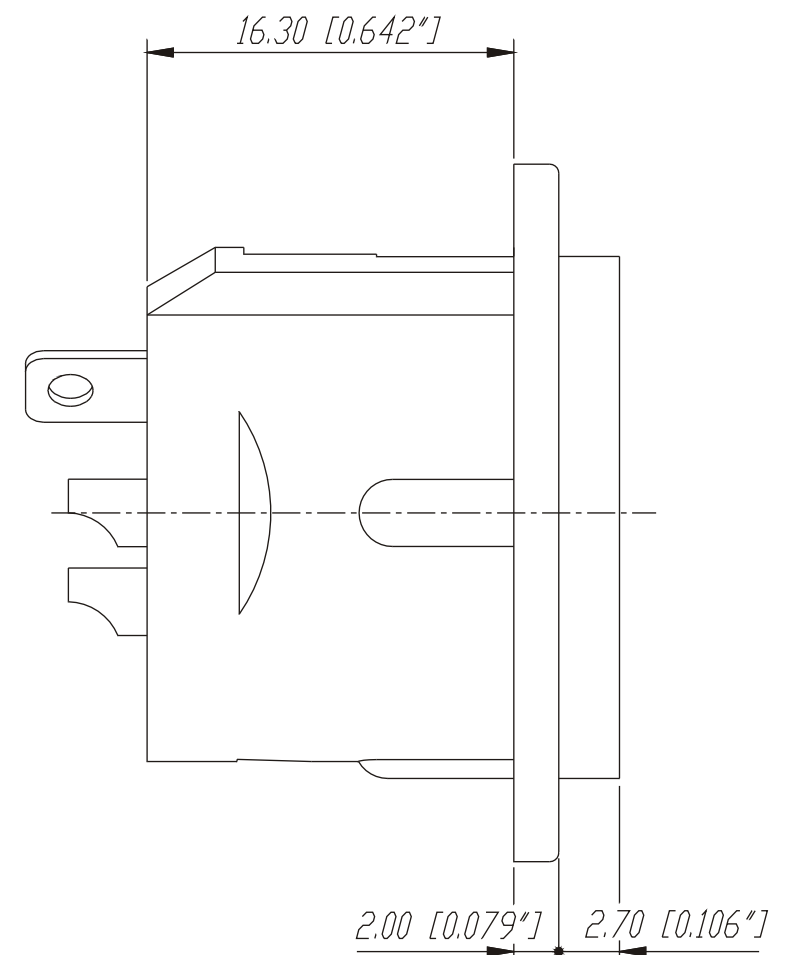
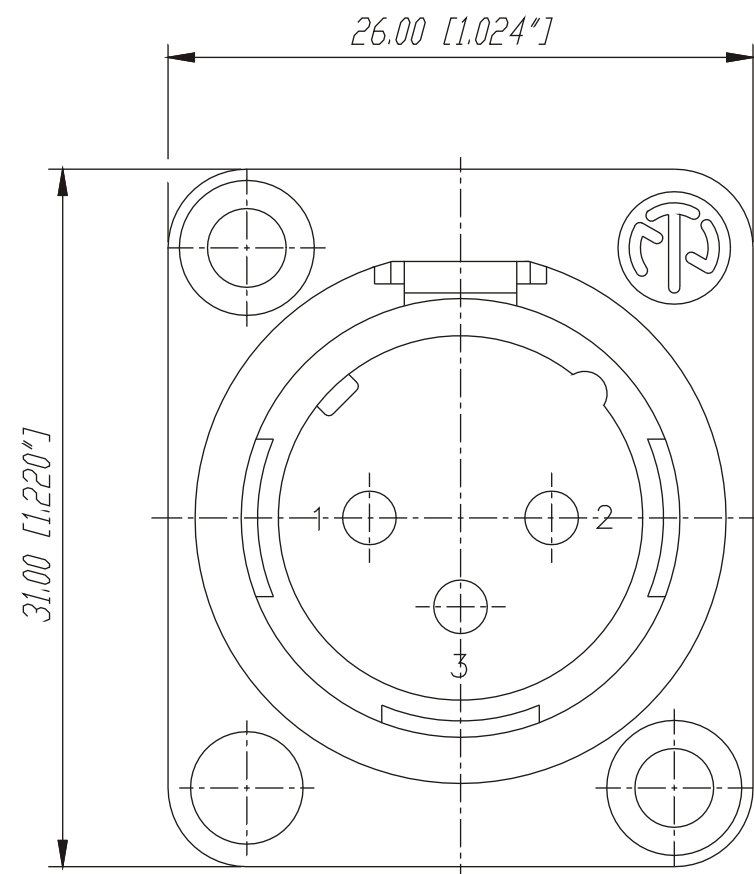
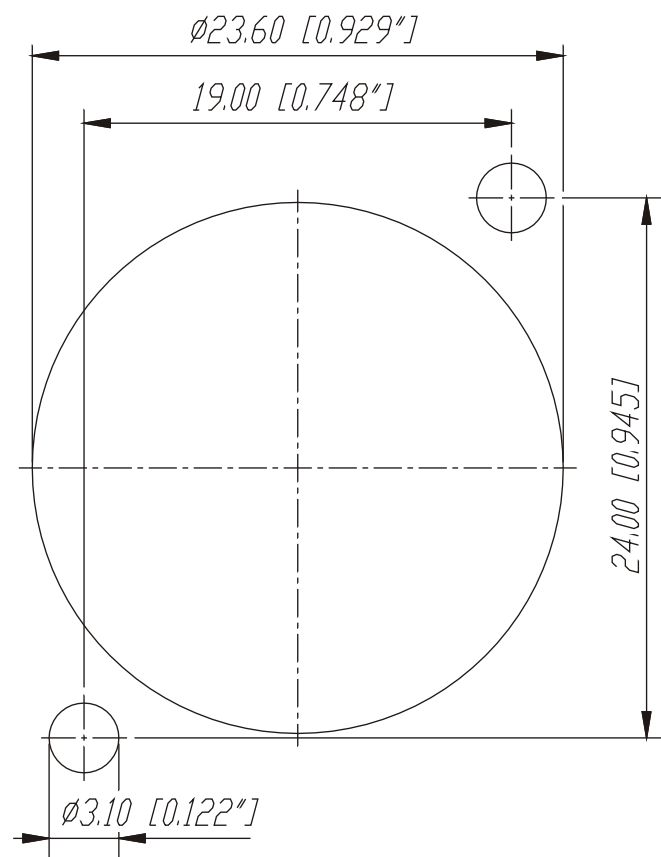
- Robust "D" metal shell
- Standardized D sized 24 mm panel cutout
- Solder cups on 3 - 7 pole version

#### ACCESSORIES



Frontplattenausschnitt (Rückseite)

Panel cut out (rear side)



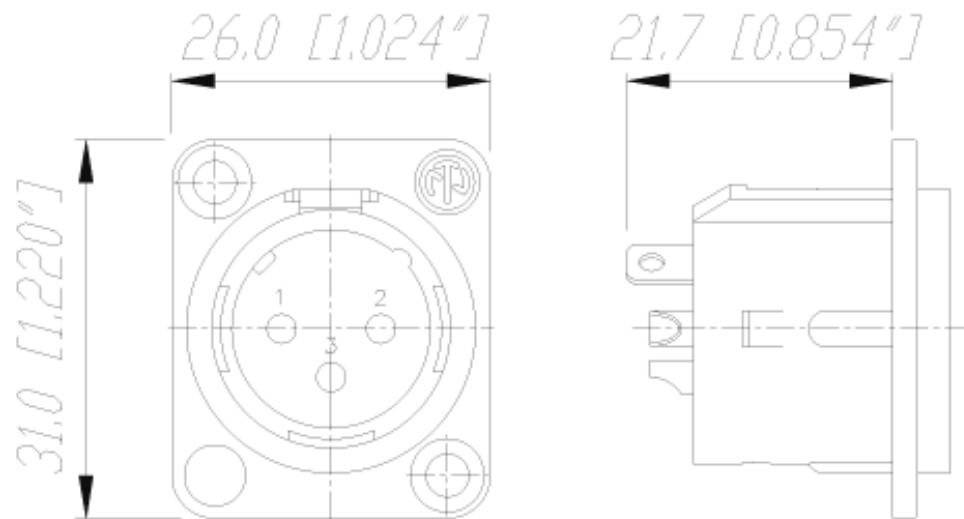
				Werkstoff:	Massstab:	Gezeichnet	Datum	Name	
				*Lieferant darf ohne Ruecksprache nicht geändert werden  Zeichnung urheberrechtlich geschuetzt (DIN 34) (C)	3:1	06.07.89	06.07.89	Mart.	
						Gepueft			
						Gesehen			
				Benennung:			Ersetzt durch:	Blatt	
C	Aktuelle Zeichnung	05.03.98	Alinjak	NC3MDL-1			Ersetzt fuer:	von Blatt	
B	Kontakte gedreht	27.08.97	Dobler						
A	3:1, Toleranzen	11.04.96	Dobler						
Ind.	Aenderung	Datum	Name	NEUTRIK AG FL-9494 SCHAAN			Zeichn. Nr.	3102 St 10 16	



Audio

## DL Series

### NC3MD-L-BAG-1



There are no technical infos for this product.

Product	
Connector Type	XLR
Gender	male
Electrical	
Capacitance between contacts	$\leq 4$ pF
Contact resistance	$\leq 5$ m $\Omega$
Dielectric strength	1,5 kVdc
Insulation resistance	$> 2$ G $\Omega$ (initial)
Insulation resistance	$> 1$ G $\Omega$ (after damp heat test)
Rated current per contact	16 A
Rated voltage	50 V
Mechanical	
Insertion force	$\leq 20$ N
Withdrawal force	$\leq 20$ N
Lifetime	$> 1000$ mating cycles
Wiring	Solder contacts
Locking device	latch lock

Mounting direction	front
Chassis shape	D
<b>Material</b>	
Contact plating	2 µm Ag over 2 µm Ni
Contacts	Brass (CuZn35Pb2)
Insert	Polyamide (PA 6.6 30 % GR)
Locking element	Steel Ck67
Shell	Zinc diecast (ZnAl4Cu1)
Shell plating	Black chromium
<b>Environmental</b>	
Approvals	UL
Flammability	UL 94 HB
Standard compliance	IEC 61076-2-103
Solderability	Complies with IEC 68-2-20
Temperature range	-30 °C to +80 °C
<b>Optical</b>	
<b>Mobile Cables</b>	