



NC3MD-L-1



Universal D-size metal body XLR panel mount series. UL recognized component.

3 pole male receptacle, solder contacts, Nickel housing, silver contacts

Features & Benefits

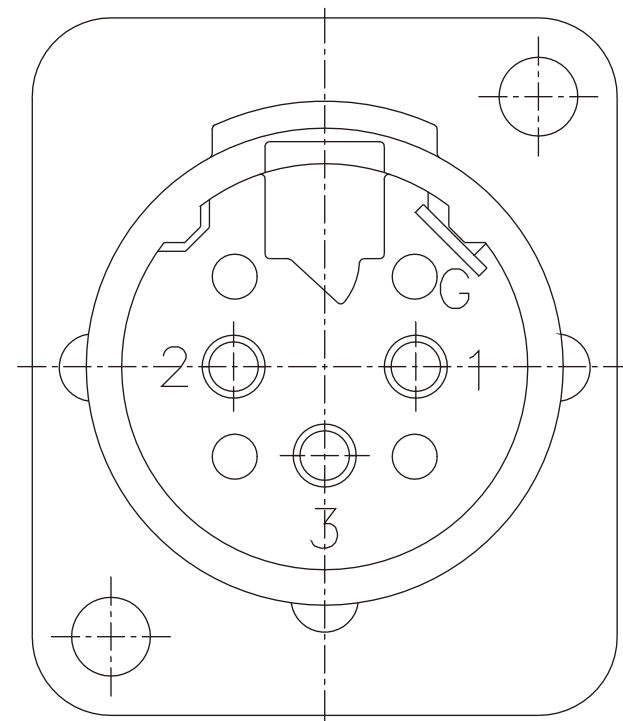
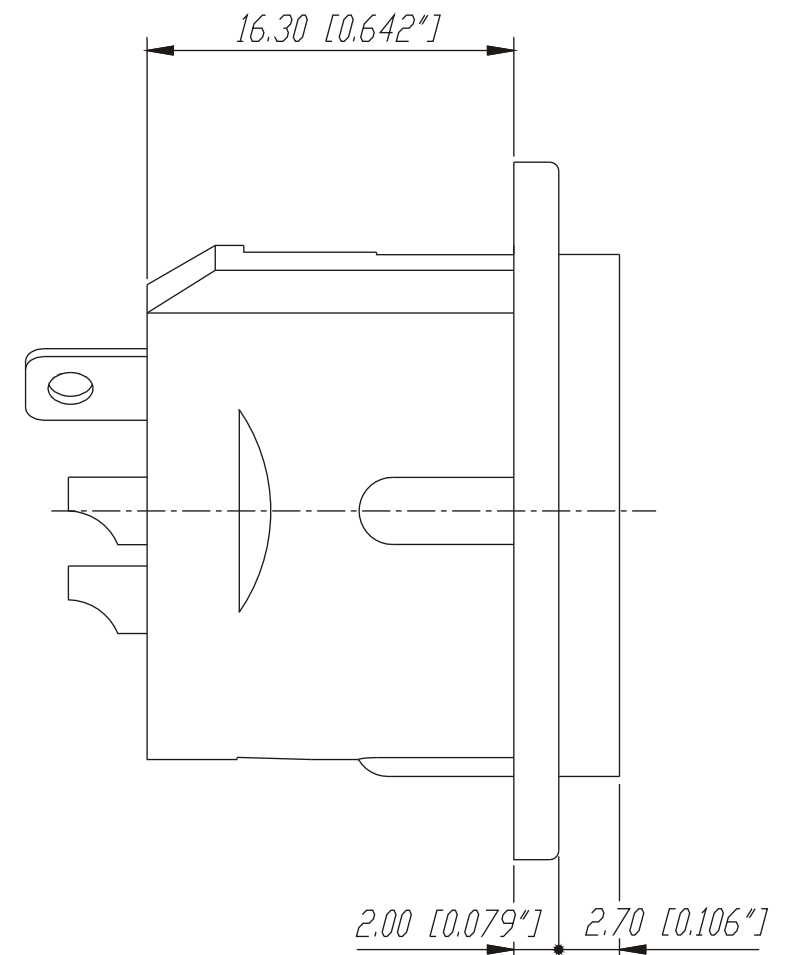
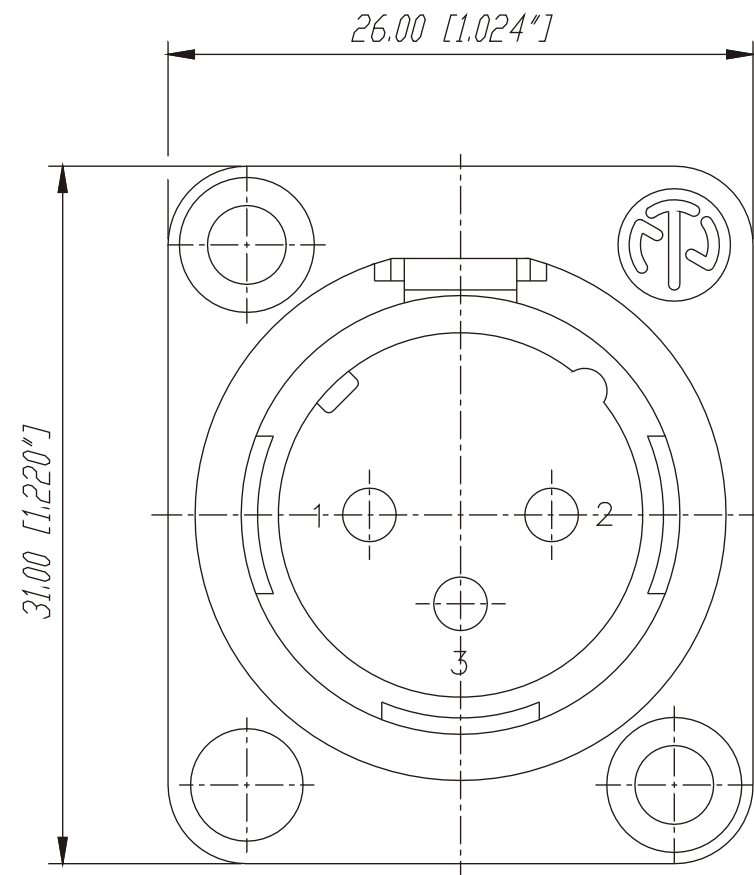
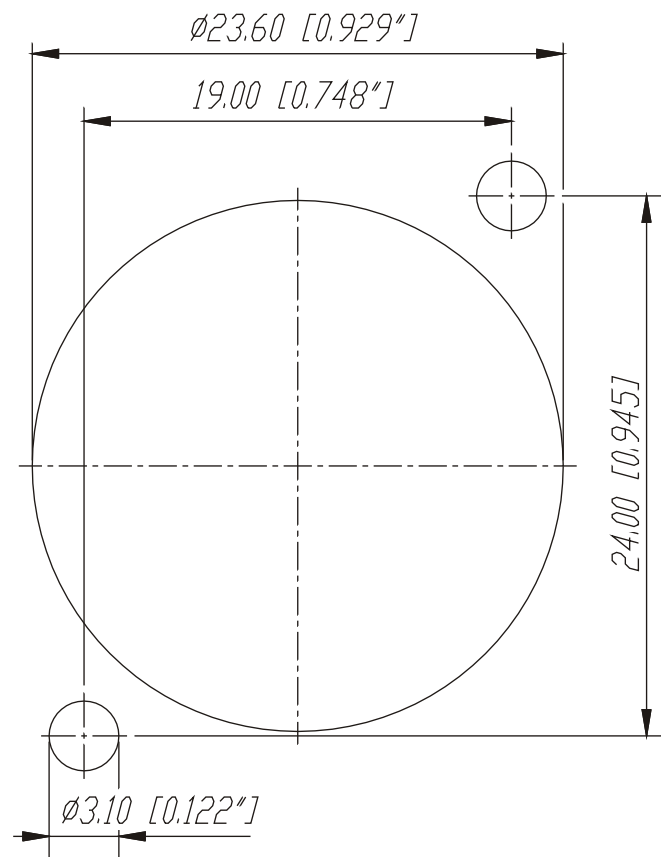
- Robust "D" metal shell
- Standardized D sized 24 mm panel cutout
- Solder cups on 3 - 7 pole version

ACCESSORIES



Frontplattenausschnitt (Rückseite)

Panel cut out (rear side)



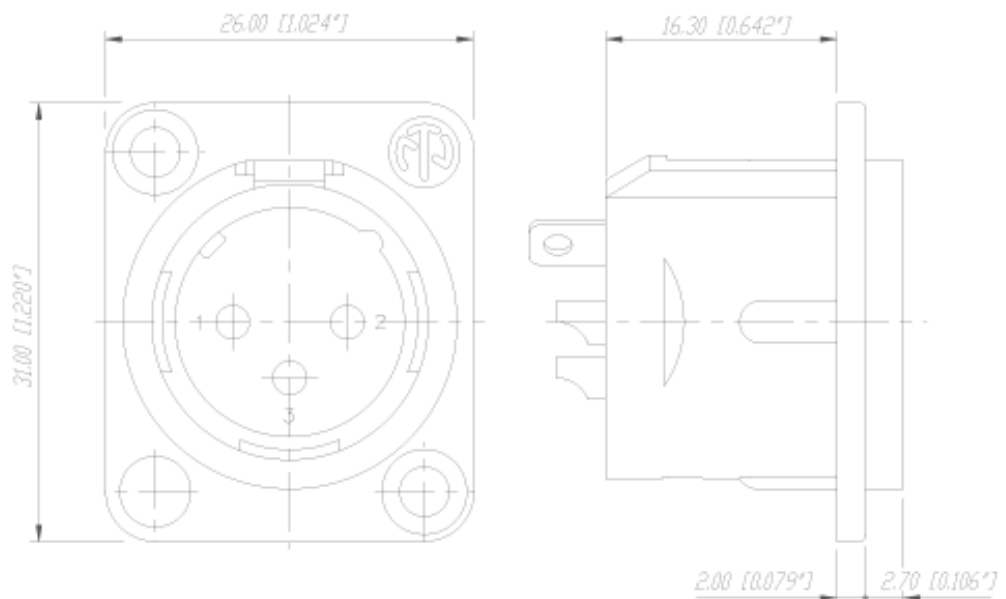
Ind.	Aenderung	Datum	Name	Werkstoff:	Massstab:	Gezeichnet	Datum	Name
				*Lieferant darf ohne Rucksprache nicht geaendert werden	3:1		06.07.89	Mart.
				Zeichnung urheberrechtlich geschuetzt (DIN 34) (C)		Geprueft		
				Benennung:		Gesehen		
C	Aktuelle Zeichnung	05.03.98	Alinjak	NC3MDL-1		Ersetzt durch:		Blatt
B	Kontakte gedreht	27.08.97	Dobler			Ersatz fuer:		von Blatt
A	3:1, Toleranzen	11.04.96	Dobler					
				NEUTRIK AG FL-9494 SCHAAN		Zeichn. Nr.	3102 St 10 16	



Audio

DL Series

NC3MD-L-1



There are no technical infos for this product.

Product

Connector Type	XLR
Gender	male

Electrical

Capacitance between contacts	≤ 4 pF
Contact resistance	≤ 5 m Ω
Dielectric strength	1,5 kVdc
Insulation resistance	> 2 G Ω (initial)
Insulation resistance	> 1 G Ω (after damp heat test)
Rated current per contact	16 A
Rated voltage	50 V

Mechanical

Insertion force	≤ 20 N
Withdrawal force	≤ 20 N
Lifetime	> 1000 mating cycles

Wiring	Solder contacts
Locking device	latch lock
Mounting direction	front
Chassis shape	D

Material

Contact plating	2 µm Ag over 2 µm Ni
Contacts	Brass (CuZn35Pb2)
Insert	Polyamide (PA 6.6 30 % GR)
Locking element	Steel Ck67
Shell	Zinc diecast (ZnAl4Cu1)
Shell plating	Nickel

Environmental

Approvals	UL
Flammability	UL 94 HB
Standard compliance	IEC 61076-2-103
Solderability	Complies with IEC 68-2-20
Temperature range	-30 °C to +80 °C

Optical

Mobile Cables