



A Series

NC3MAH



The `State of the Art` receptacle. Round plastic body XLR PCB mount panel connector. These have the smallest size and highest packing density (23mm between centres). New designed fork type contacts with hard gold plating and polished contact areas. UL recognized component.

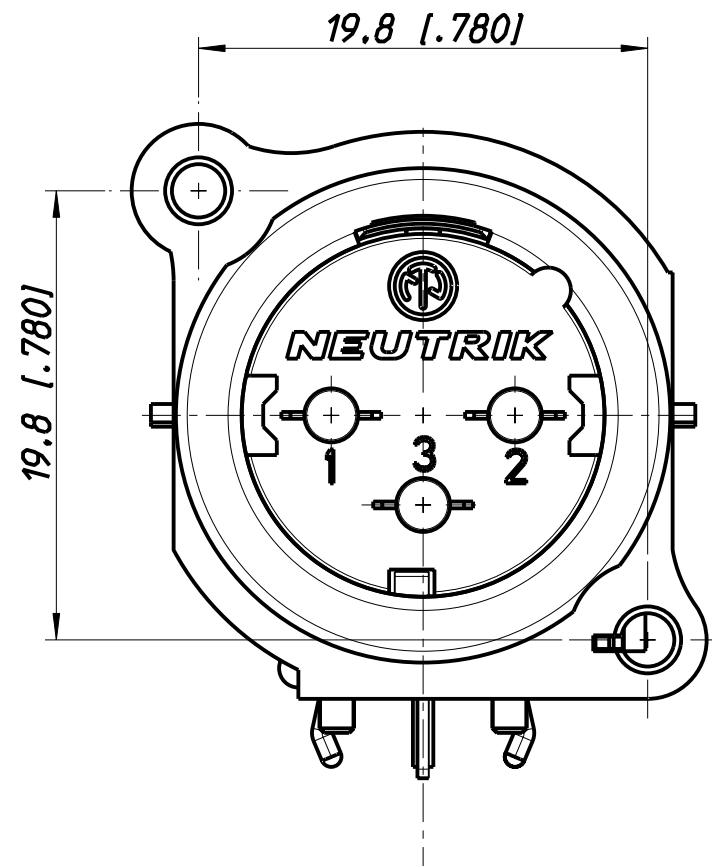
3 pole male XLR receptacle, grounding: separate ground contact to mating connector shell and front panel, horizontal PCB mount

Features & Benefits

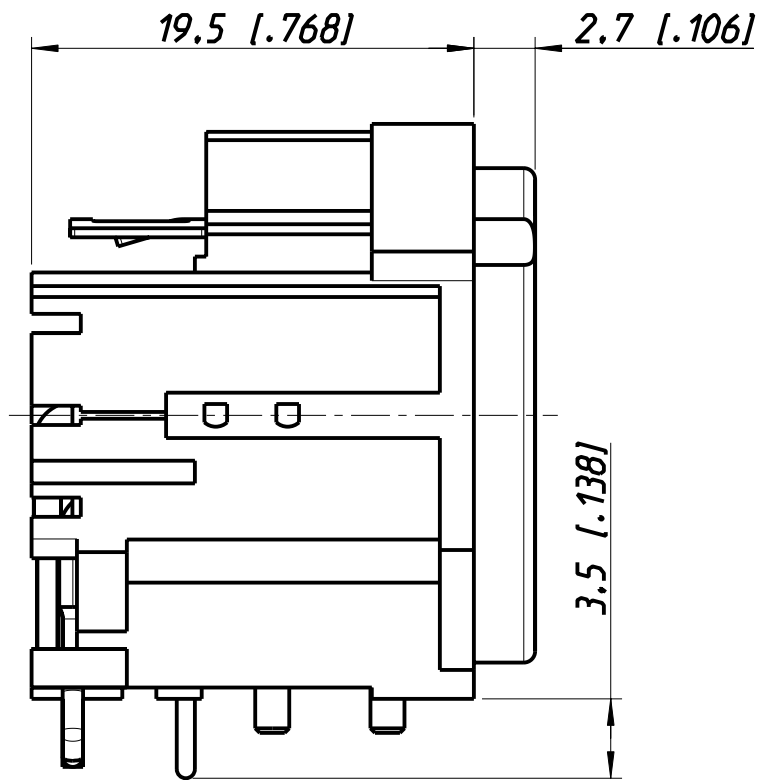
- Smallest XLR receptacles, highest packing density
- Plastic housing, steel latch lock
- Polished contact areas and hard gold plating
- Housing flammability UL94V-0

ACCESSORIES

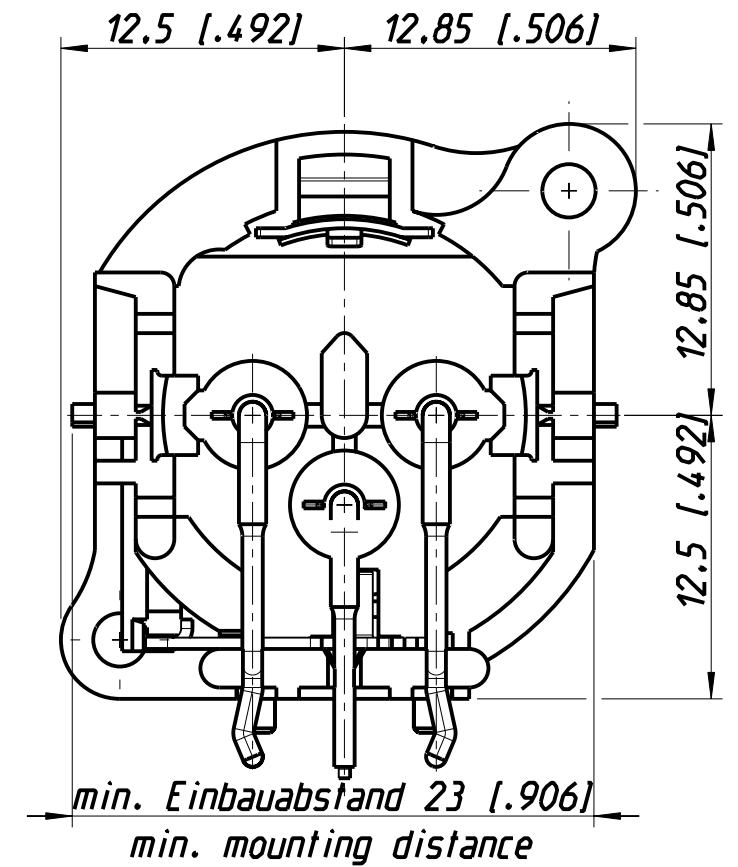
SCM	A-SCREW-1-8
	



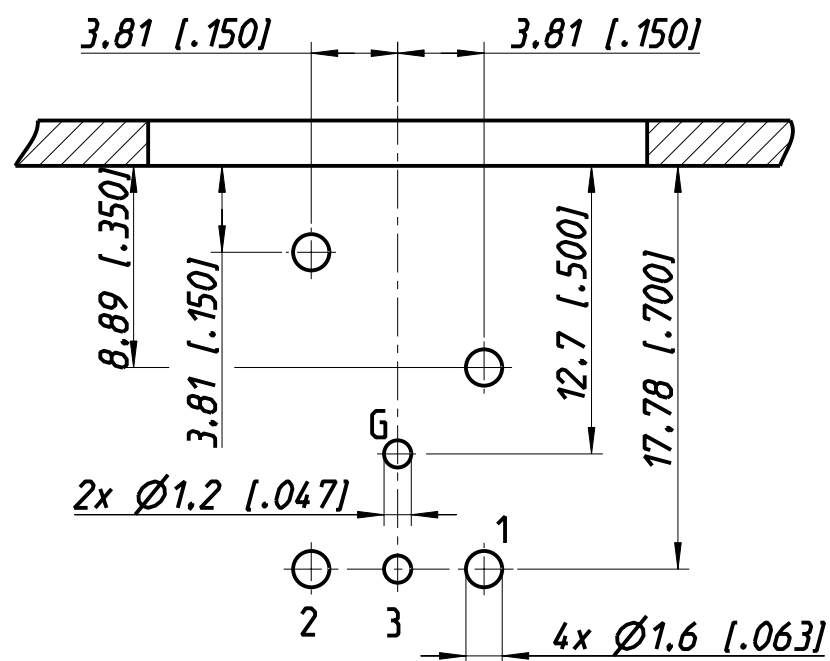
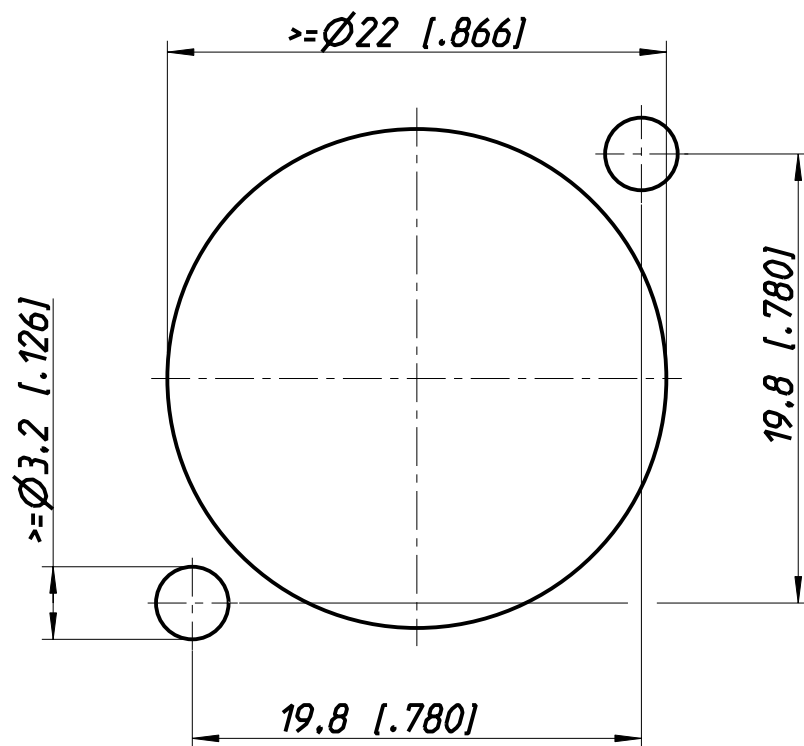
Frontplattenausschnitt (Rückseite)
Panel cut out (rear side)



Print Bohrplan (Bestückungsseite)
PCB-Layout (component side)



min. Einbauabstand 23 [1.906]
min. mounting distance



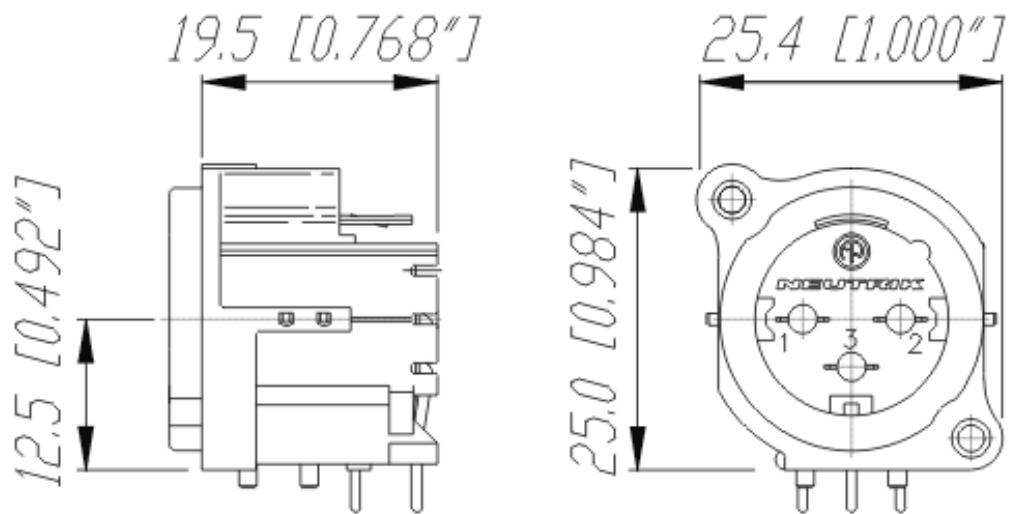
Allgemeintoleranzen ISO 2768-m	Werkstoff	Maßstab:	Gezeichnet	Datum	Name
Zeichnung urheberrechtlich geschützt (DIN 34) (C)	KEIN_MAT	3:1 (A3)	Freigegeben	17.07.03	Ender
			Geändert	-	-
Benennung XLR Chassis Connectors NC 3MAH			Aend.-Nr.	Aend.-Index	
NEUTRIK AG FL-9494 SCHAAN			Ersatz fuer:	Blatt 1 von 1 Bl.	
			Zeichn. Nr.	ST-NC 3MAH	



Audio

A Series

NC3MAH



There are no technical infos for this product.

Product

Connector Type	XLR
Gender	male

Electrical

Capacitance between contacts	≤ 7 pF
Contact resistance	≤ 5 m Ω
Dielectric strength	1,5 kVdc
Insulation resistance	> 2 G Ω (initial)
Insulation resistance	> 1 G Ω (after damp heat test)
Rated current per contact	6 A
Rated voltage	50 V
Grounding options	Separate ground contact connected to mating connector shell and front panel, no connection to Pin 1

Mechanical

Insertion force	≤ 20 N
Withdrawal force	≤ 20 N
Lifetime	> 1000 mating cycles

Wiring	Horizontal PCB mount
Locking device	latch lock
Mounting direction	rear
Chassis shape	A
Mounting	A-Screw

Material

Contact plating	0.2 µm AuCo over 2 µm NiP15 (Tribor®)
Contacts	Brass (CuZn35Pb2)
Insert	Polyamide (PA 6.6 30 % GR)
Locking element	Steel Ck67
Flange	Black Plastic

Environmental

Approvals	UL
Flammability	UL 94 V-0
Standard compliance	IEC 61076-2-103
Solderability	Complies with IEC 68-2-20
Temperature range	-30 °C to +80 °C

Optical

Mobile Cables