



## NC3MAAV




New most cost-effective round plastic body XLR PCB mount panel connector. Front panel cutout and PCB layout 100% compatible to A series. New "tulip" type contact design with high contact pressure for highest durability. Push latch assembled. Flammability rating UL94HB.

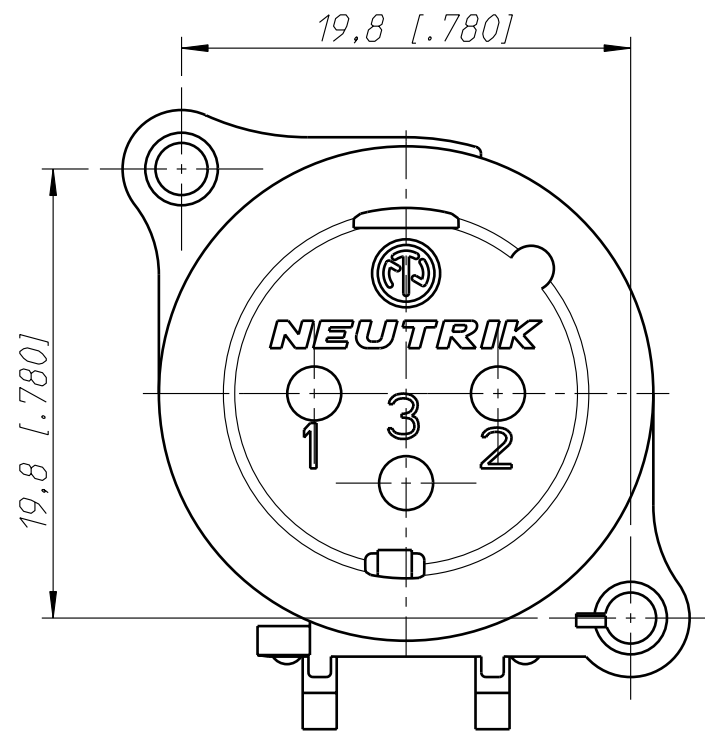
3 pole male XLR receptacle, grounding: without ground/shell contact, vertical PCB mount

### Features & Benefits

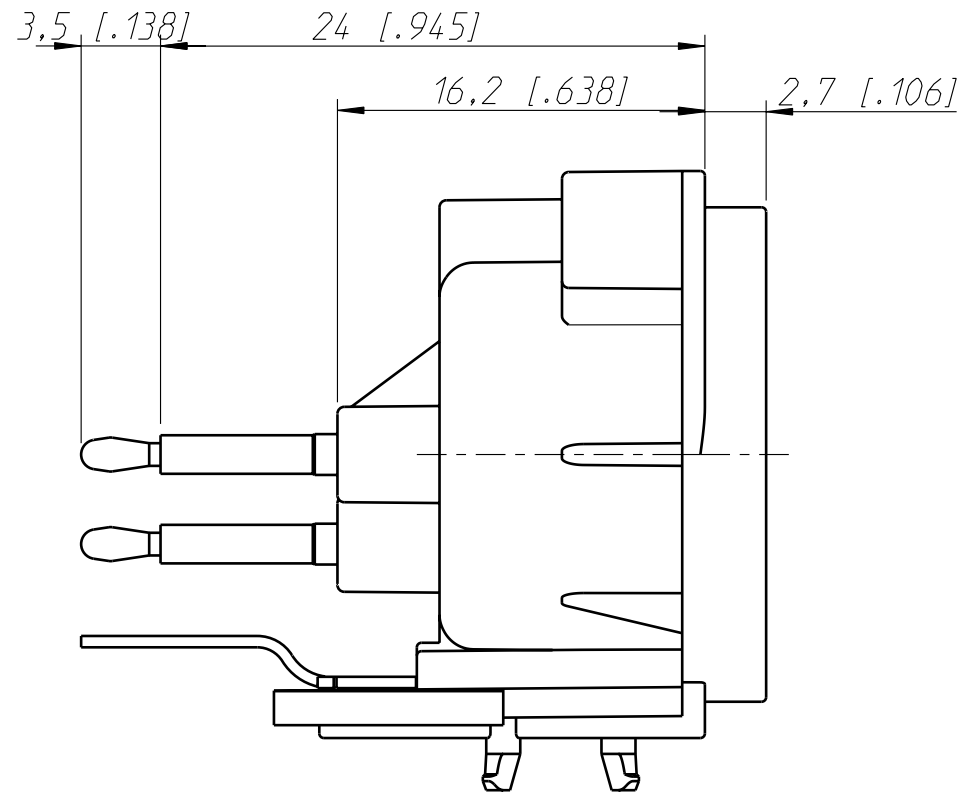
- Most cost-effective series
- "Tulip" type contact design with high contact pressure for highest durability
- Selective gold plated contact and PCB termination area for best conductivity and solderability

### ACCESSORIES

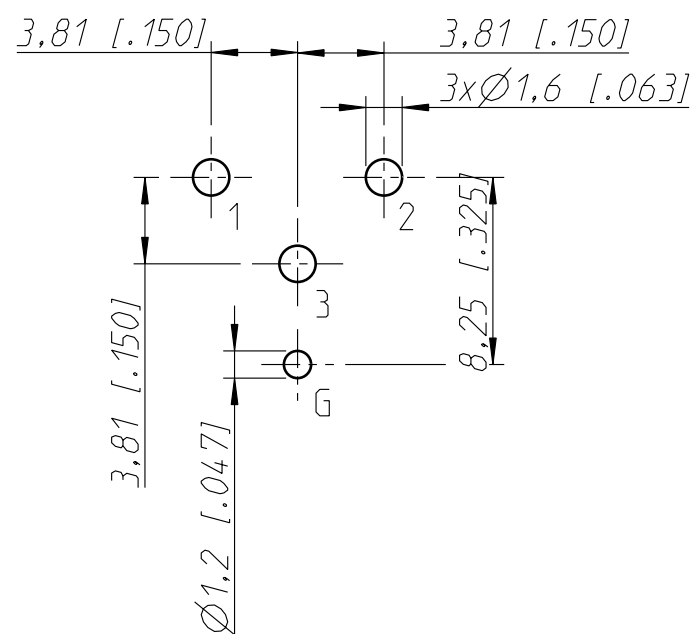
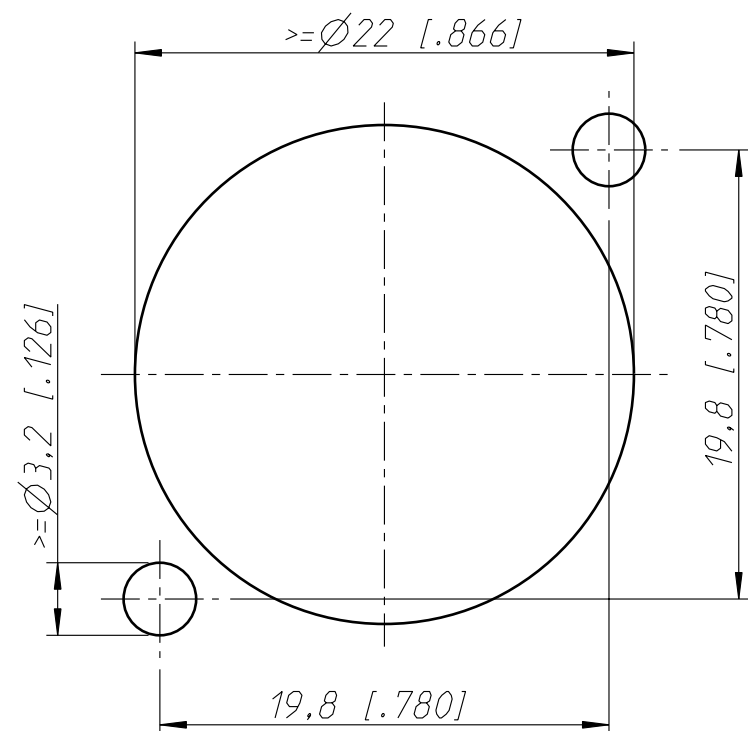
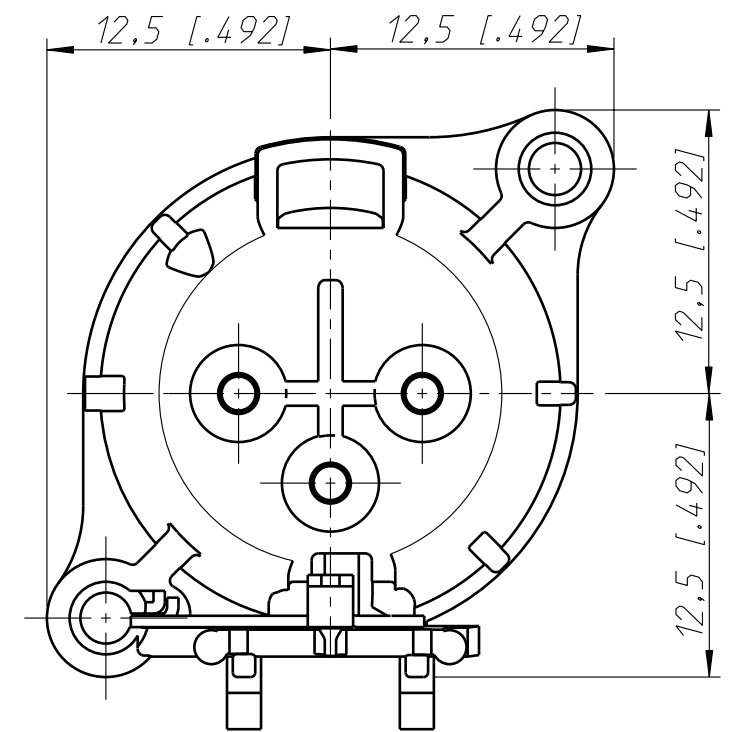
| SCM   | SFAV  | A-SCREW-1-8   |
|---|---|---|
|  |  |  |



Frontplattenausschnitt (Rueckseite)  
Panel cut out (rear side)



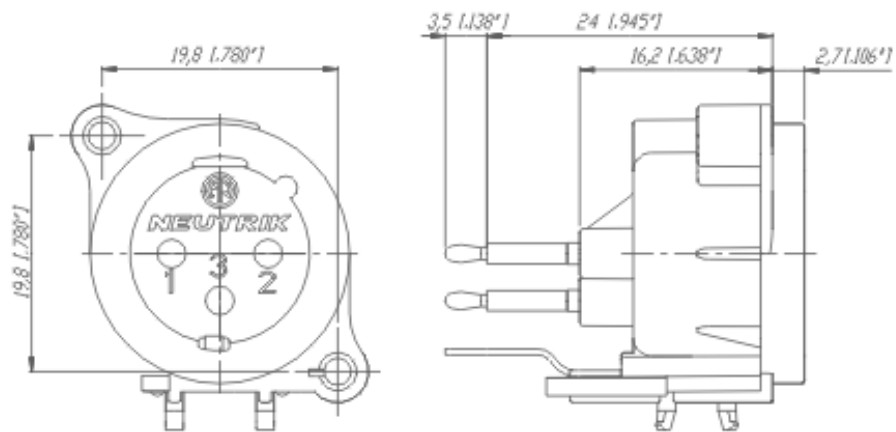
Print Bohrplan (Bestueckungsseite)  
PCB-Layout (component side)



|   |                |                          |              |                      |                  |
|---|----------------|--------------------------|--------------|----------------------|------------------|
| Allgemeintoleranzen<br>ISO 2768-m                     | Werkstoff<br>- | Massstab:<br>3:1<br>(A3) | Gezeichnet   | Datum                | Name             |
|   |                |                          | Freigegeben  | 21.06.04             | Payr             |
| Zeichnung urheberrechtlich<br>geschuetzt (DIN 34) (C) | -              | -                        | Geändert     | -                    | -                |
|   |                |                          | Aend.-Nr.    | -                    | Aend.-Index<br>- |
| Benennung<br>XLR Chassis Connectors<br>NC 3MAAV       |                |                          | Ersatz fuer: | Blatt 1<br>von 1 Bl. |                  |
| NEUTRIK AG FL-9494 SCHAAN                             |                |                          | Zeichn. Nr.  | ST-NC 3MAAV          |                  |



## NC3MAAV



There are no technical infos for this product.

### Product

|                |      |
|----------------|------|
| Connector Type | XLR  |
| Gender         | male |

### Electrical

|                              |   |
|------------------------------|---|
| Capacitance between contacts | ≤ 7 pF  |
| Contact resistance           | ≤ 8 mΩ  |
| Dielectric strength          | 1,5 kVdc  |
| Insulation resistance        | > 2 GΩ (initial)  |
| Insulation resistance        | > 1 GΩ (after damp heat test)   |
| Rated current per contact    | 6 A   |
| Rated voltage                | 50 V  |
| Grounding options            | Separate ground contact connected to mating connector shell and front panel, no connection to Pin 1 |

### Mechanical

|                    |                      |
|--------------------|----------------------|
| Insertion force    | ≤ 20 N               |
| Withdrawal force   | ≤ 20 N               |
| Lifetime           | > 1000 mating cycles |
| Wiring             | Vertical PCB mount   |
| Locking device     | latch lock           |
| Mounting direction | rear                 |

|                      |                                       |
|----------------------|---------------------------------------|
| Chassis shape        | A                                     |
| Mounting             | A-Screw                               |
| <b>Material</b>      |                                       |
| Contact plating      | 0.2 µm AuCo over 2 µm NIP15 (Tribor®) |
| Contacts             | Brass (CuZn35Pb2)                     |
| Insert               | Polyamide (PA 6.6 30 % GR)            |
| Locking element      | Steel Ck67                            |
| Flange               | Black Plastic                         |
| <b>Environmental</b> |                                       |
| Flammability         | UL 94 HB                              |
| Standard compliance  | IEC 61076-2-103                       |
| Solderability        | Complies with IEC 68-2-20             |
| Temperature range    | -30 °C to +80 °C                      |
| <b>Optical</b>       |                                       |
| <b>Mobile Cables</b> |                                       |