



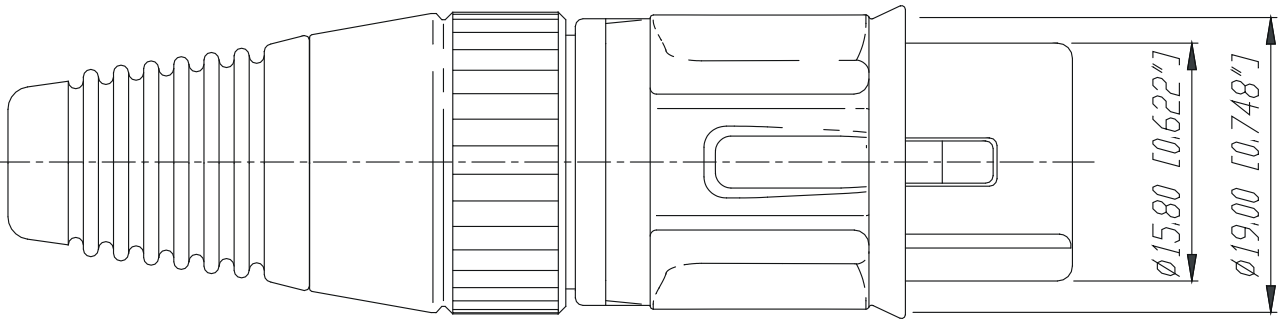
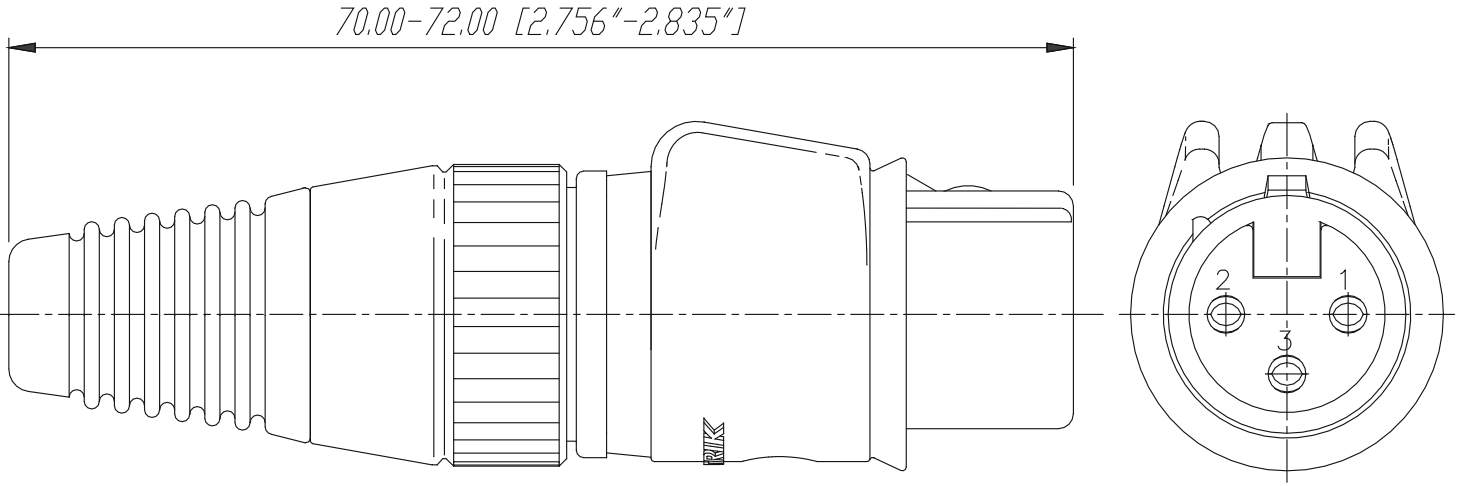
NC3FX-HD



The X-HD Series is a "heavy duty" XLR cable connector for outdoor use. All metal design, dust and water protected according to IP 65. Gold contacts are standard.
3 pole female cable connector, "heavy duty", all metal design, gold contacts

Features & Benefits

- "Heavy duty" cable connector for outdoor use
- All metal design
- NC*FX-HD mates with NC*MPR-HD chassis connector and NC*MX-HD cable connector
- Dust and water protected according IP 65 in mated condition
- Gold contacts
- Chuck type strain relief system for secure clamping of cables
- Boot with rubber gland gives high protection against bending stresses



| | | | | | | | | | |
|------|-----------|-------|------|--|----------------|----------------------------|-------------|---------------|---------|
| | | | | *)Lieferant darf ohne Ruecksprache nicht geaendert werden Zeichnung urheberrechtlich geschuetzt (DIN 34) (C) | Werkstoff: | Masstab: <i>2:1</i> | | Datum | Name |
| | | | | | | | Gezeichnet | 10.06.92 | Alinjak |
| | | | | | | | Geprueft | | |
| | | | | Benennung: X-HD Serie NC3FX-HD | | | Gesehen | | |
| | | | | | Ersetzt durch: | | Blatt | | |
| | | | | | Ersatz fuer: | | von Blatt | | |
| | | | | NEUTRIK AG FL-9494 SCHAAN | | | Zeichn. Nr. | | |
| Ind. | Aenderung | Datum | Name | | | | | 3102 St 08 06 | |



X-HD Series

NC3FX-HD



There are no technical infos for this product.

| Product | |
|------------------------------|--|
| Connector Type | XLR |
| Gender | female |
| Electrical | |
| Capacitance between contacts | $\leq 4 \text{ pF}$ |
| Contact resistance | $\leq 3 \text{ m}\Omega$ |
| Dielectric strength | 1,5 kVdc |
| Insulation resistance | $> 2 \text{ G}\Omega$ (initial) |
| Insulation resistance | $> 1 \text{ G}\Omega$ (after damp heat test) |
| Rated current per contact | 16 A |
| Rated voltage | 50 V |
| Mechanical | |
| Cable O.D. | 3.5 - 8.0 mm |
| Insertion force | $\leq 20 \text{ N}$ |
| Withdrawal force | $\leq 20 \text{ N}$ |
| Lifetime | > 1000 mating cycles |
| Wire size | max. 2.5 mm^2 |
| Wire size | max. 14 AWG |
| Wiring | Solder contacts |

| | |
|----------------------|-----------------------------------|
| Locking device | Latch lock |
| Material | |
| Boot | Polyuretan |
| Bushing | Stainless steel |
| Contact plating | 0.2 µm Au hard alloy over 2 µm Ni |
| Contacts | Bronze (CuSn8) |
| Insert | Polyamide (PA 6.6 30 % GR) |
| Locking element | St3K32 (latch) / Ck 67 (spring) |
| Shell | Stainless steel |
| Shell plating | none |
| Strain relief | Polyacetal (POM) |
| Sealing jacket | EPDM |
| Environmental | |
| Approvals | UL |
| Flammability | UL 94 HB |
| Standard compliance | IEC 61076-2-103 |
| Protection class | IP 65 |
| Solderability | Complies with IEC 68-2-20 |
| Temperature range | -30 °C to +80 °C |
| Optical | |
| Mobile Cables | |