



NC3FP-B-1



Smallest available traditional style metal panel mount connector with large solder cups for ease hard wiring.

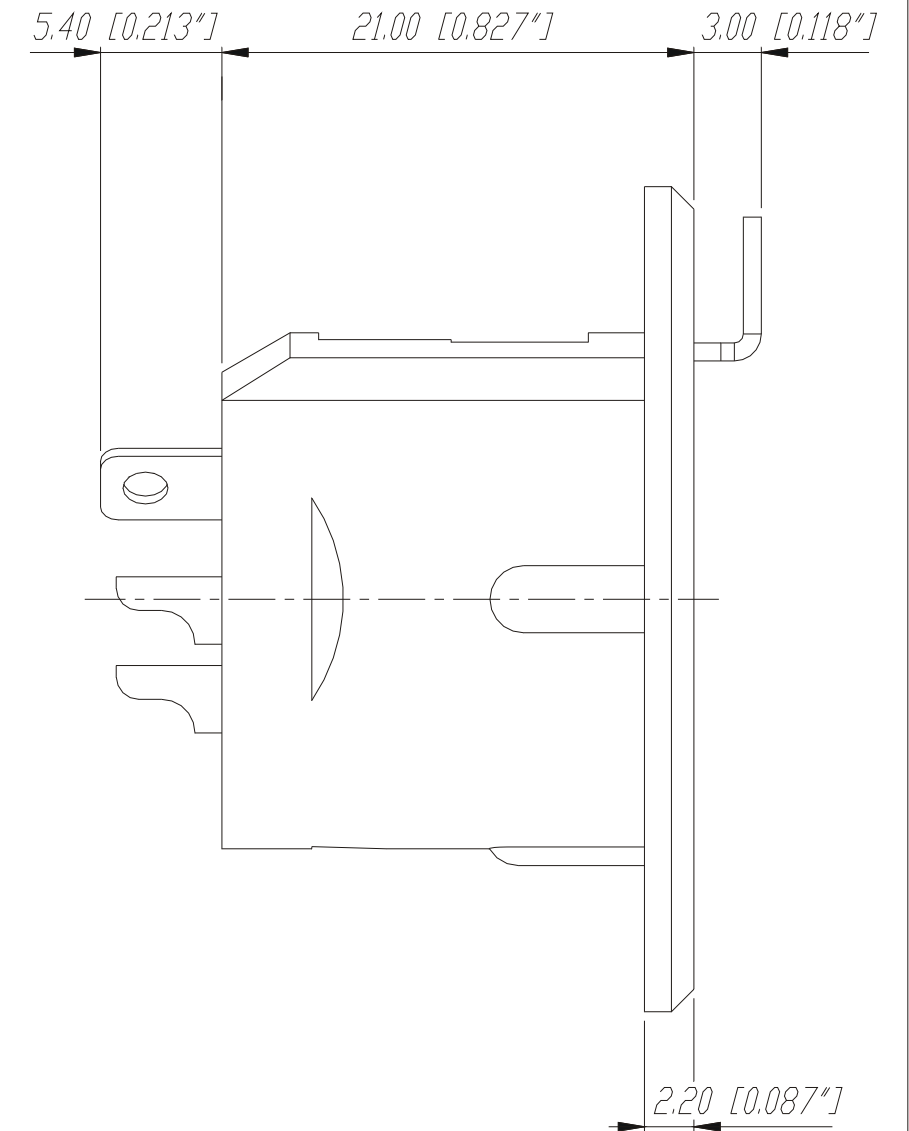
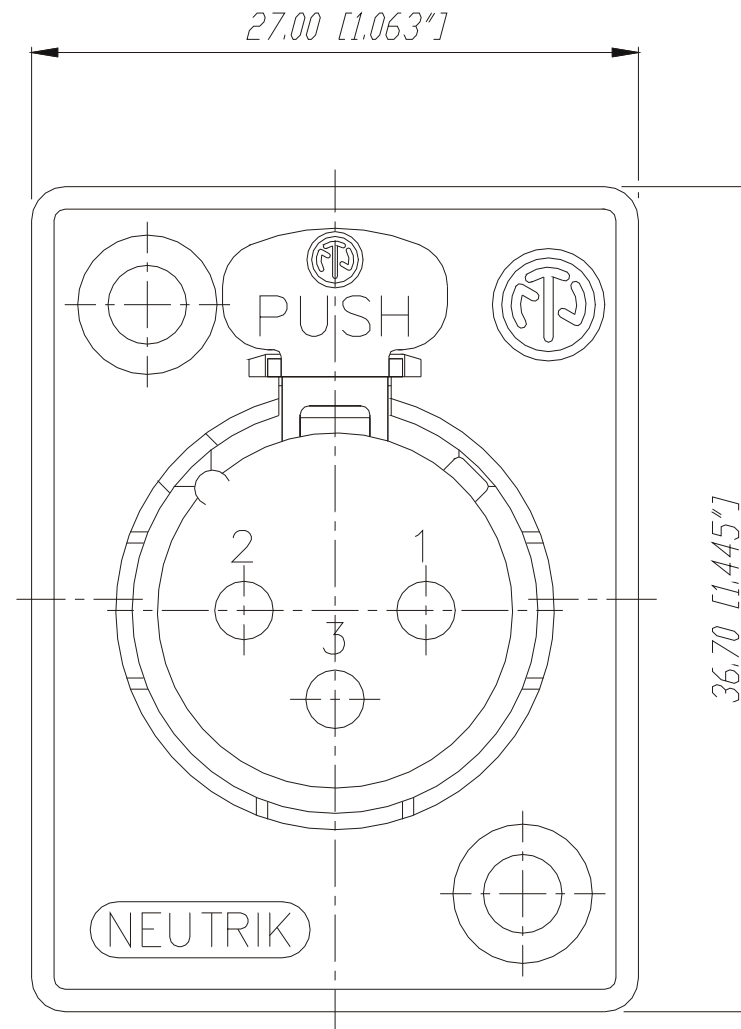
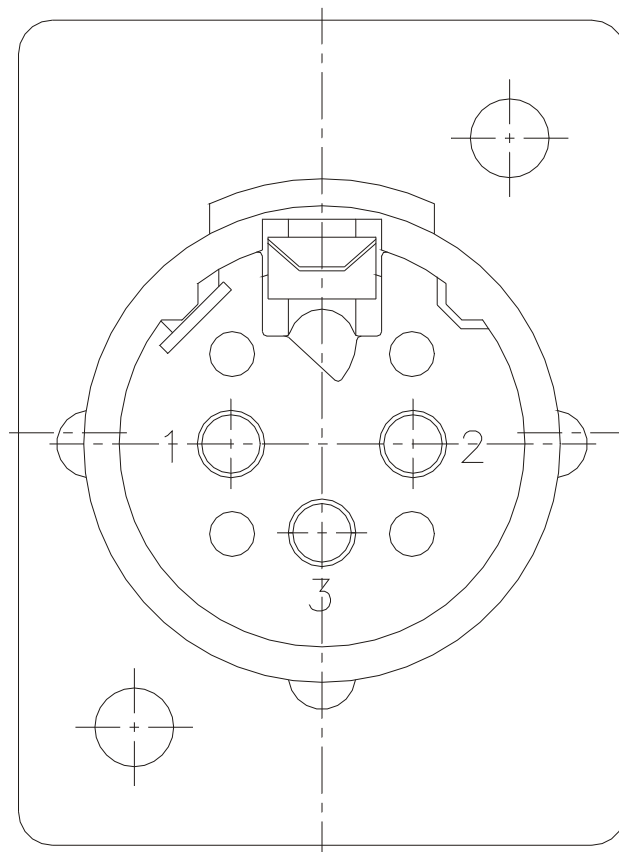
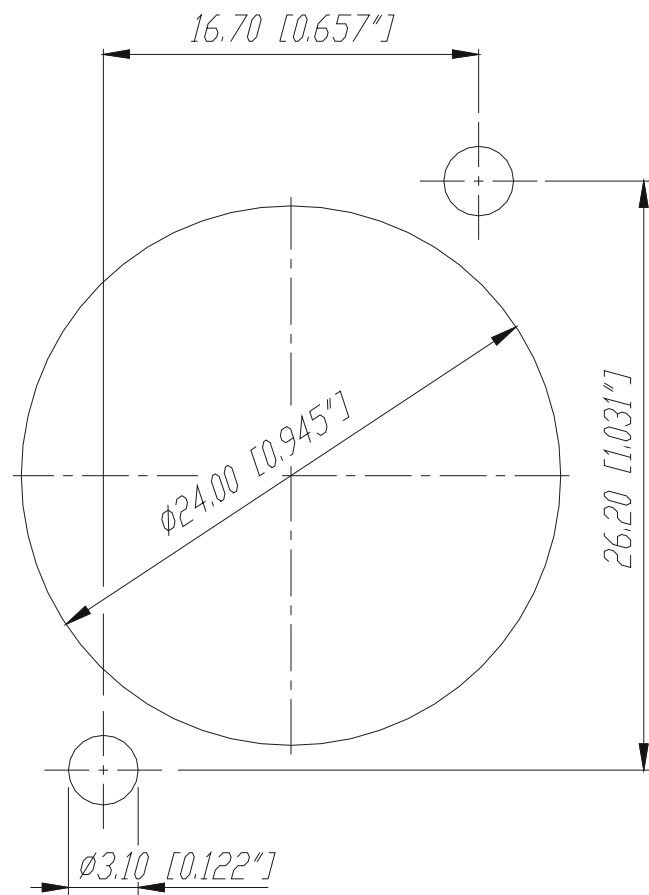
3 pole female receptacle, solder contacts, black metal housing, gold contacts

Features & Benefits

- Smallest available hard wiring receptacles with large solder cups
- Short female receptacle
- Compatible with switchcraft D*M, D*F; Cannon XLB2*31, XLB2*32

Frontplattenausschnitt (Rückseite)

Panel cut out (rear side)



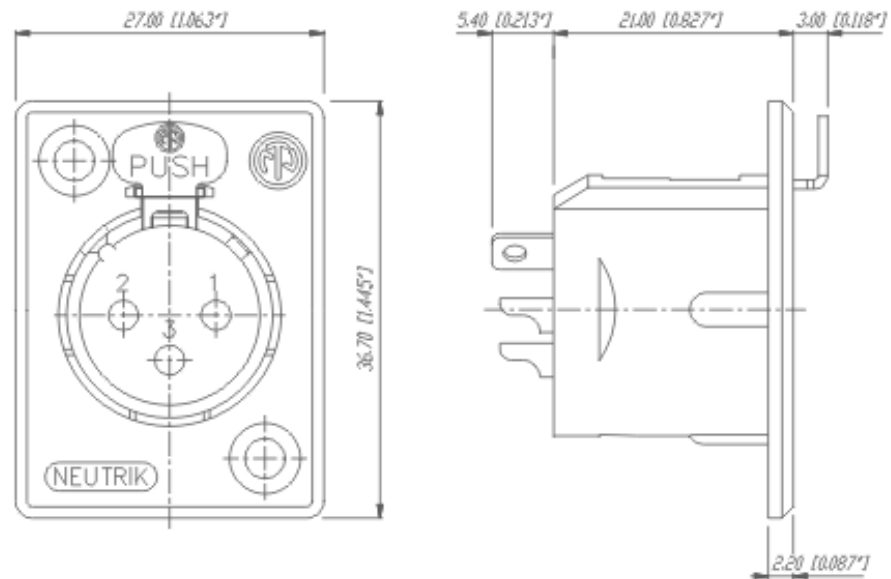
				Werkstoff:	Massstab:	Gezeichnet	Datum	Name
				*)Lieferant darf ohne Ruecksprache nicht geaendert werden	3:1	06.07.89	06.07.89	Martinek
						Zeichnung urheberrechtlich geschuetzt (DIN 34) (C)	Geprueft	
				Benennung:		Ersetzt durch:		Blatt
				NC3FP-1		Ersatz fuer:		von Blatt
A	Aktuelle Zeichnung	24.03.98	Alin jak	NEUTRIK AG FL-9494 SCHAAN		Zeichn. Nr.		3102 St 11 05
Ind.	Aenderung	Datum	Name					



Audio

P Series

NC3FP-B-1



There are no technical infos for this product.

Product

Connector Type	XLR
Gender	female

Electrical

Capacitance between contacts	≤ 4 pF
Contact resistance	≤ 5 m Ω
Dielectric strength	1,5 kVdc
Insulation resistance	> 2 G Ω (initial)
Insulation resistance	> 1 G Ω (after damp heat test)
Rated current per contact	16 A
Rated voltage	50 V

Mechanical

Insertion force	≤ 20 N
Withdrawal force	≤ 20 N
Lifetime	> 1000 mating cycles

Wiring	Solder contacts
Locking device	Latch lock
Mounting direction	front
Chassis shape	P

Material

Contact plating	0.2 µm Au hard alloy over 2 µm Ni
Contacts	Bronze (CuSn6)
Insert	Polyamide (PA 6.6 30 % GR)
Locking element	Steel Ck67
Shell	Zinc diecast (ZnAl4Cu1)

Environmental

Flammability	UL 94 HB
Standard compliance	IEC 61076-2-103
Solderability	Complies with IEC 68-2-20
Temperature range	-30 °C to +80 °C

Optical

Mobile Cables