

# Switchcraft®

[Previous Page](#) | [Return to Index](#) | [Next Page](#)



RAPC732OF



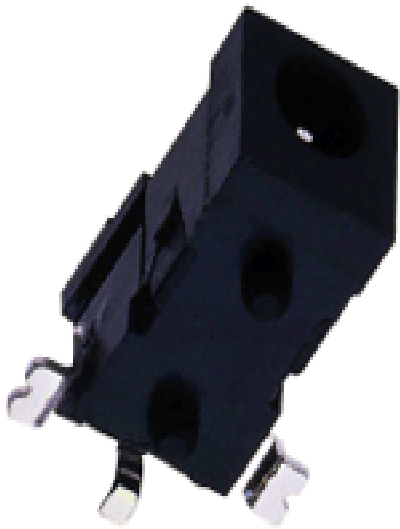
RAPC742



RASM752STR



RASM742TR



RASM752TR

## Sub-miniature Power Jacks

Switchcraft introduces a new series of sub-miniature power jacks. These sub-miniature power jacks feature ultra-compact housings and pin diameters as small as 0.65mm. Available in PC mount and true surface mount, with other options including open frame and shielded versions. All SMT versions come on tape and reel. Contact Switchcraft for exact reel dimensions.

### Features and Benefits

- SMT mounting
- Tape and reel packaging
- Wide variety of circuits

### Applications

- Computer
- Video Cameras
- Personal/Portable Audio Devices
- Multimedia

### Specifications

## Material:

- Housing: Black nylon
- Sleeve, Ring and Tip Terminals: Tin, Silver-plated
- Shunt Terminal: Brass, Silver-plated

## Electrical:

- Current Rating: 3A
- Contact Resistance: <50 mohms
- Insulation Resistance: 100 mohms (min.)
- Dielectric Withstanding Voltage: 250VAC @ 1 minute

## Mechanical:

- Lifecycles: 5,000
- Operating Temperature: -25°C to +85°C

## Ordering Information

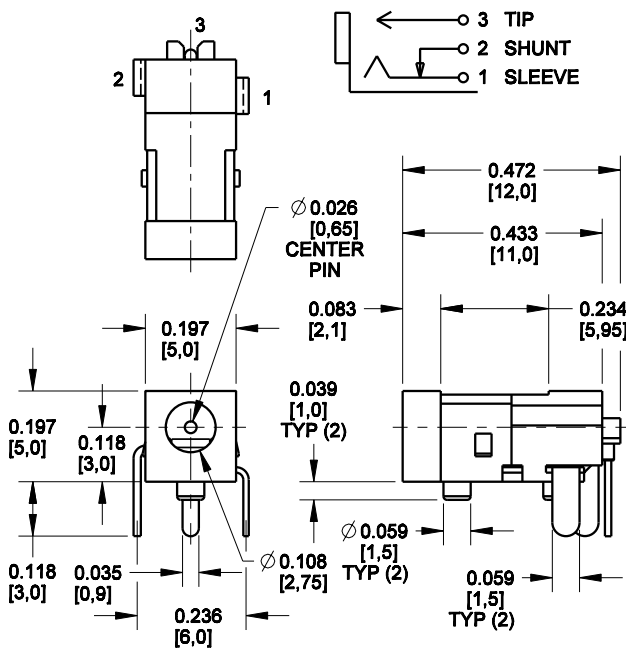
Part Number	Description
RAPC742	PC mount, 1mm pin
RASM742TR	SMT mount, 1mm pin
RAPC732OF	Open frame, PC mount, 1.3mm pin
RAPC742OF	Open frame, PC mount, 1mm pin
RAPC752	PC mount, 0.65mm pin
RAPC752S	Shielded, PC mount, 0.65mm pin
RASM752TR	SMT mount, 0.65mm pin
RASM752STR	Shielded, SMT mount, 0.65mm pin

### Download Product Bulletin Pages:

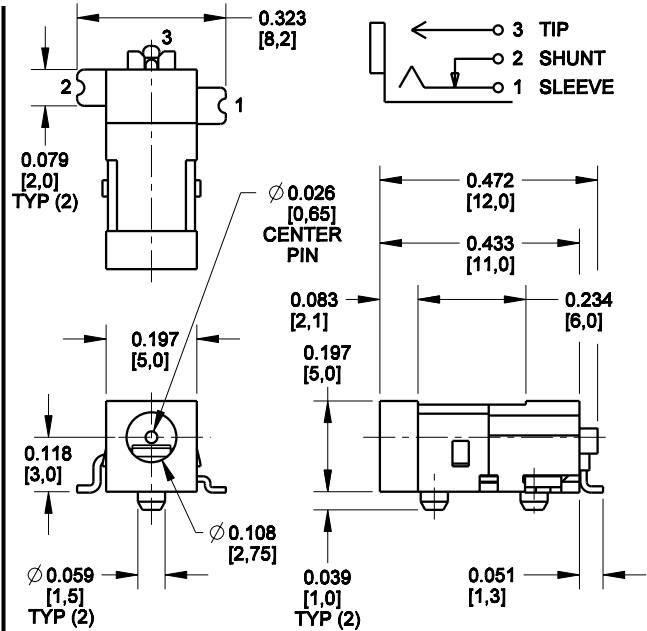


- [NPB 547a - General info, photo, part numbers](#)
- [NPB 547b - Schematic drawings](#)
- [NPB 547c - Schematic drawings](#)
- [NPB 547d - PC board layouts](#)

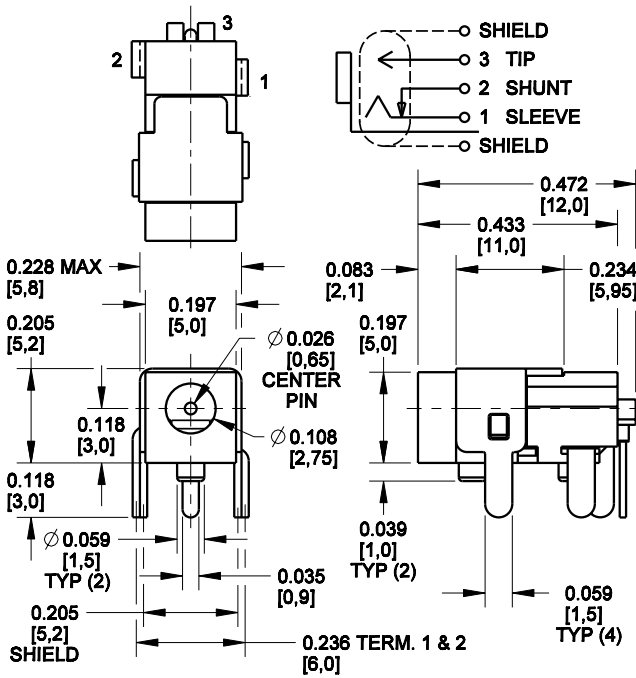
RAPC752



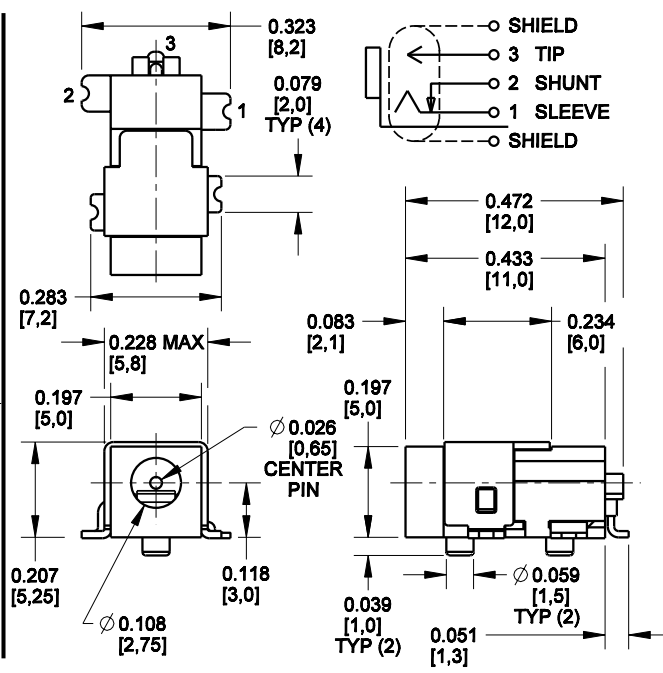
RASM752TR



RAPC752S



RASM752STR



# JACKS AND PLUGS

## Subminiature Power Jacks

Switchcraft introduces a new series of sub-miniature power jacks. These sub-miniature power jacks feature ultra-compact housings and pin diameters as small as 0.65mm. Available in PC mount and true surface mount, with other options including open frame and shielded versions. All SMT versions come on tape and reel. Contact Switchcraft for exact reel dimensions.

### Features and Benefits

- SMT mounting
- Tape and reel packaging
- Wide variety of circuits

### Applications

- Computer
- Video Cameras
- Personal/Portable Audio Devices
- Multimedia

### Specifications

#### Material

Housing: Black nylon  
Sleeve, ring, and tip terminals: Tin, silver-plated  
Shunt terminal: Brass, silver-plated

#### Electrical

Current Rating: 3A  
Contact Resistance: <50 mohms  
Insulation Resistance: 100 mohms (min.)  
Dielectric Withstanding Voltage: 250VAC@ 1 minute

#### Mechanical

Lifecycles: 5,000  
Operating Temperature: -25 to +85 C

### Ordering Information

Part Number	Description
RAPC742	PC mount, 1mm pin
RASM742TR	SMT mount, 1mm pin
RAPC732OF	Open frame, PC mount, 1.3mm pin
RAPC742OF	Open frame, PC mount, 1mm pin
RAPC752	PC mount, 0.65mm pin
RAPC752S	Shielded, PC mount, 0.65mm pin
RASM752TR	SMT mount, 0.65mm pin
RASM752STR	Shielded, SMT mount, 0.65mm pin

# PRODUCT BULLETIN 547



RAPC732OF



RAPC742



RASM752STR



RASM742TR



RASM752TR

# Switchcraft®

www.switchcraft.com