



## NC3FD-S-1-B

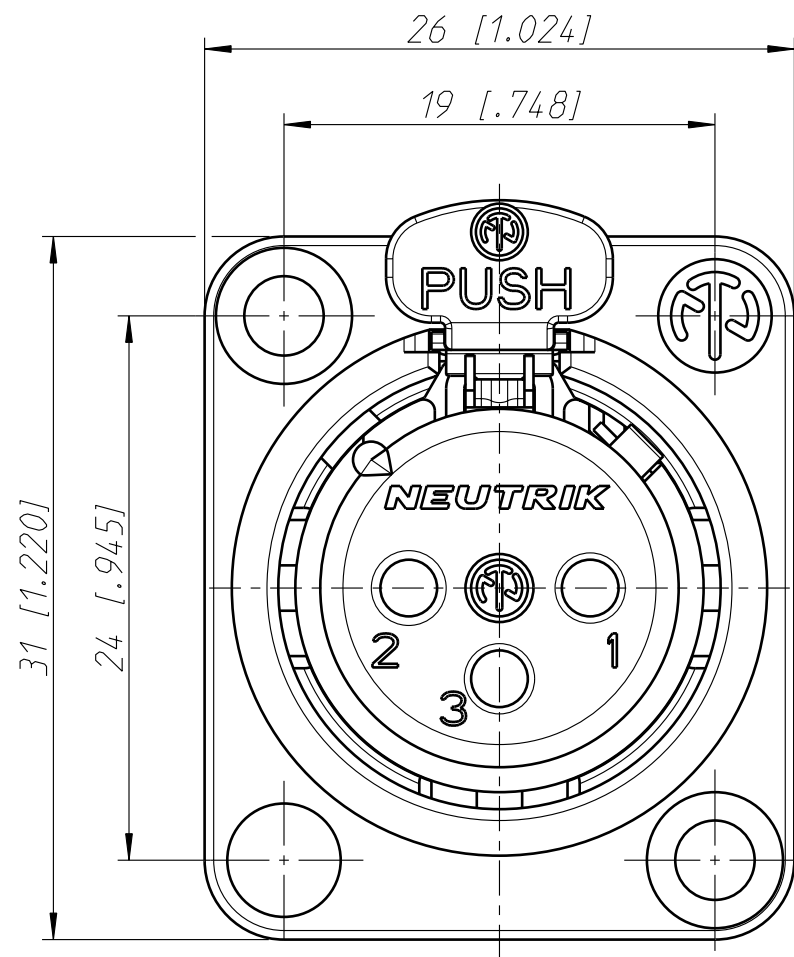
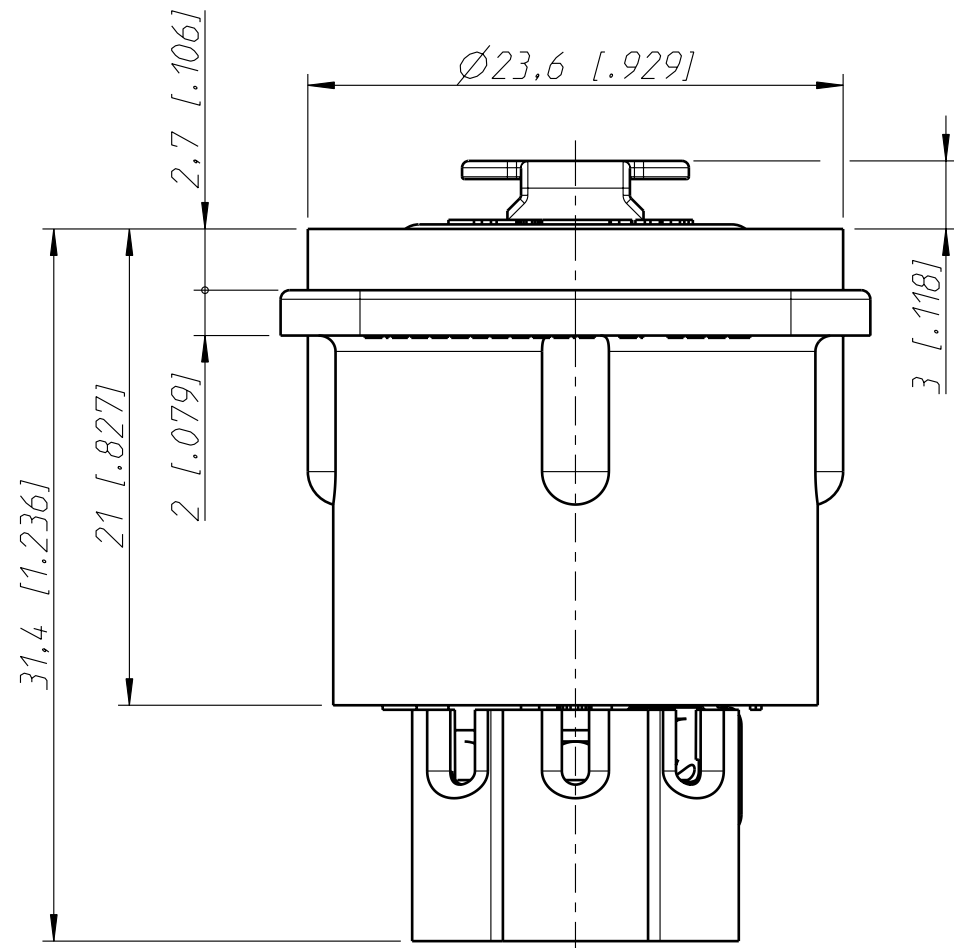
3 pole female receptacle, D-size metal body, screw terminals accommodating wire range 0.14mm<sup>2</sup> to 0.5mm<sup>2</sup> (AWG 26 -20), black metal housing, gold contacts, UL recognized component

### Features & Benefits

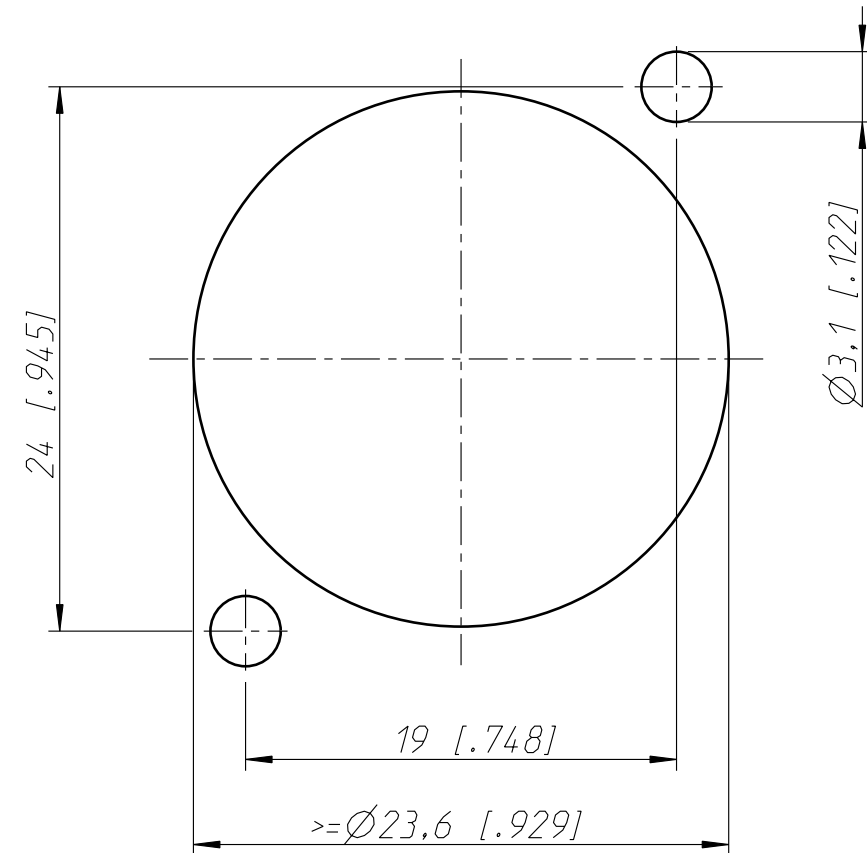
- Robust "D" metal shell
- Standardized D sized 24 mm panel cutout
- Screw terminals

### ACCESSORIES





Frontplattenausschnitt (Rückseite)  
Panel cut out (rear side)



Allgemeintoleranzen ISO 2768-m	Werkstoff -	Massstab: 3:1 (A3)	Gezeichnet	Datum	Name
			Freigegeben	08.03.04	Ender
Zeichnung urheberrechtlich geschützt (DIN 34) (C)	-	-	Geaendert	-	-
			Aend.-Nr.	-	Aend.-Index -
Benennung NC3FD-S-1-B NC3FD-S-1-B			Ersatz fuer:	Blatt 1 von 1 Bl.	
NEUTRIK AG FL-9494 SCHAAN			Zeichn. Nr.	ST-NC3FD-S-1-B	



Audio

## DL Series

### NC3FD-S-1-B

There are no technical infos for this product.

Product	
Connector Type	XLR
Gender	female
Electrical	
Capacitance between contacts	≤ 4 pF
Contact resistance	≤ 5 mΩ
Dielectric strength	1,5 kVdc
Insulation resistance	> 2 GΩ (initial)
Insulation resistance	> 1 GΩ (after damp heat test)
Rated current per contact	3 A
Rated voltage	50 V
Mechanical	
Insertion force	< 30 N
Withdrawal force	≤ 20 N
Lifetime	> 1000 mating cycles
Wire size	0.14 mm <sup>2</sup> bis 0.5 mm <sup>2</sup>
Wire size	26 AWG - 20 AWG
Wiring	screw terminals
Locking device	latch lock
Mounting direction	rear
Chassis shape	D
Material	
Contact plating	0.2 μm Au hard alloy over 2 μm Ni
Contacts	Bronze (CuSn8)
Insert	Polyamide (PA 6.6 30 % GR)
Locking element	Steel Ck67
Shell	Zinc diecast (ZnAl4Cu1)
Shell plating	Black chromium
Environmental	
Flammability	UL 94 HB
Standard compliance	IEC 61076-2-103
Temperature range	-30 °C to +80 °C
Optical	
Mobile Cables	