



DLX Series

NC3FD-LX-B



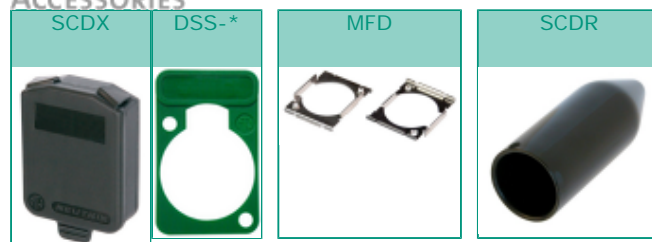
3 pole female receptacle, solder cups, black metal housing, gold contacts

The DLX series features a compact all metal housing with an ingenious duplex ground contact, which offers excellent RF protection and shielding. It is the ideal match for mating with Neutrik's EMC XLR cable connector.

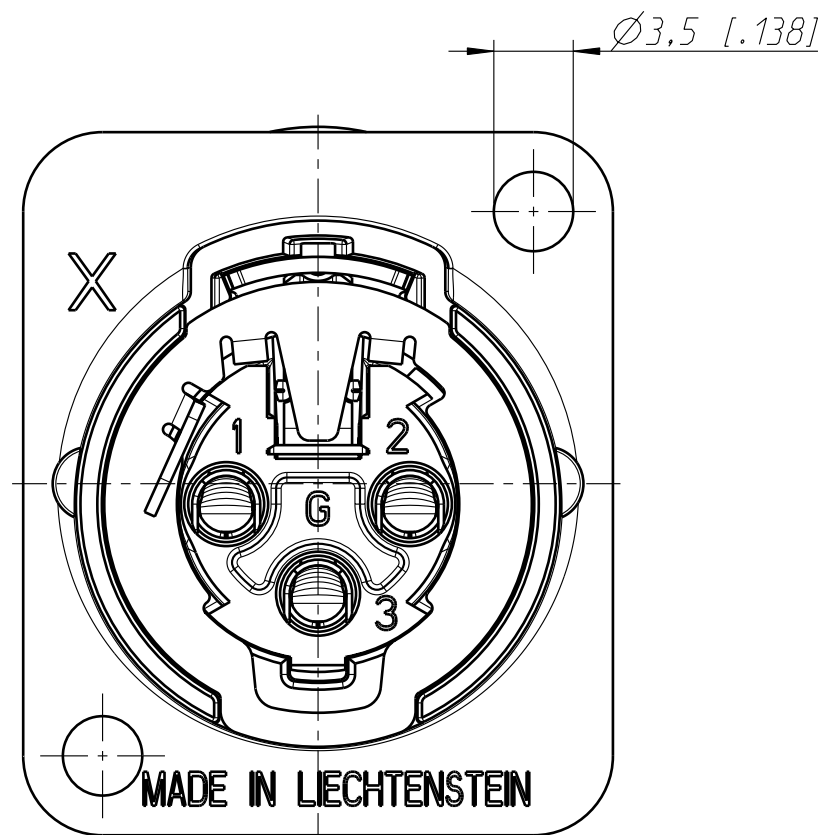
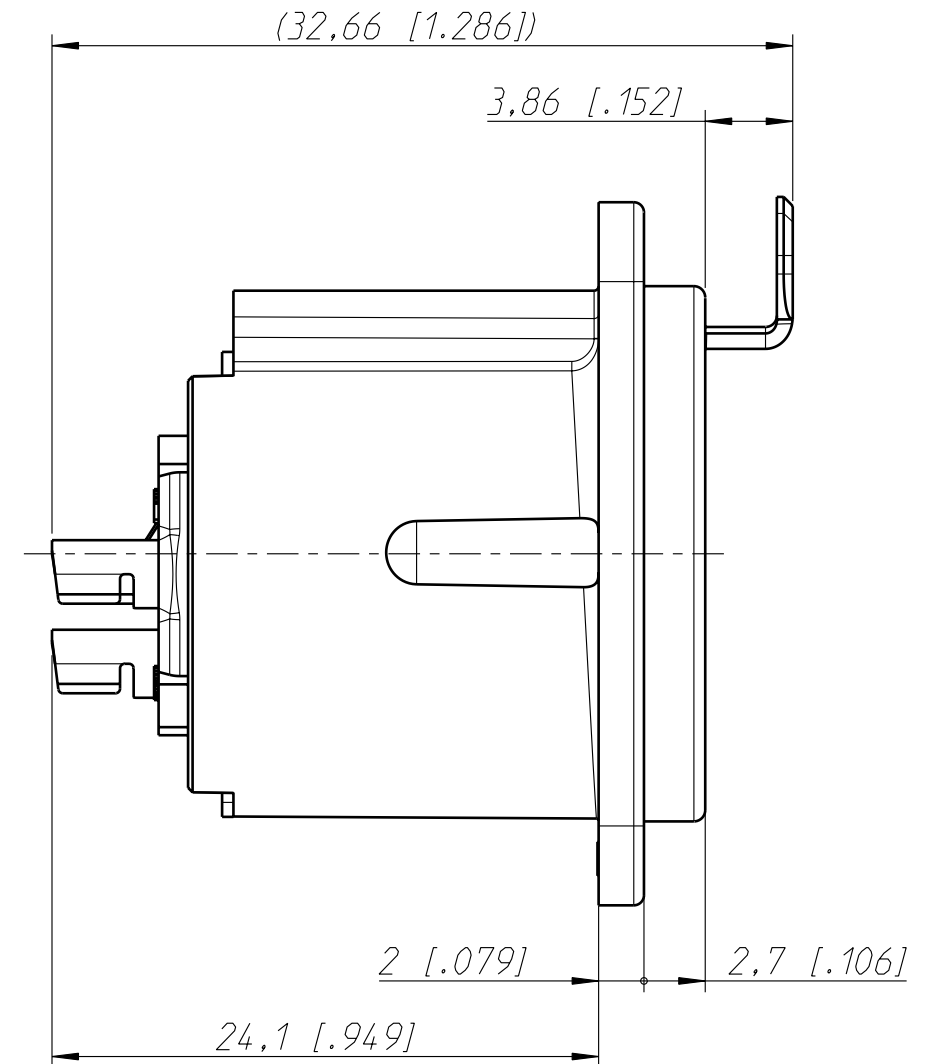
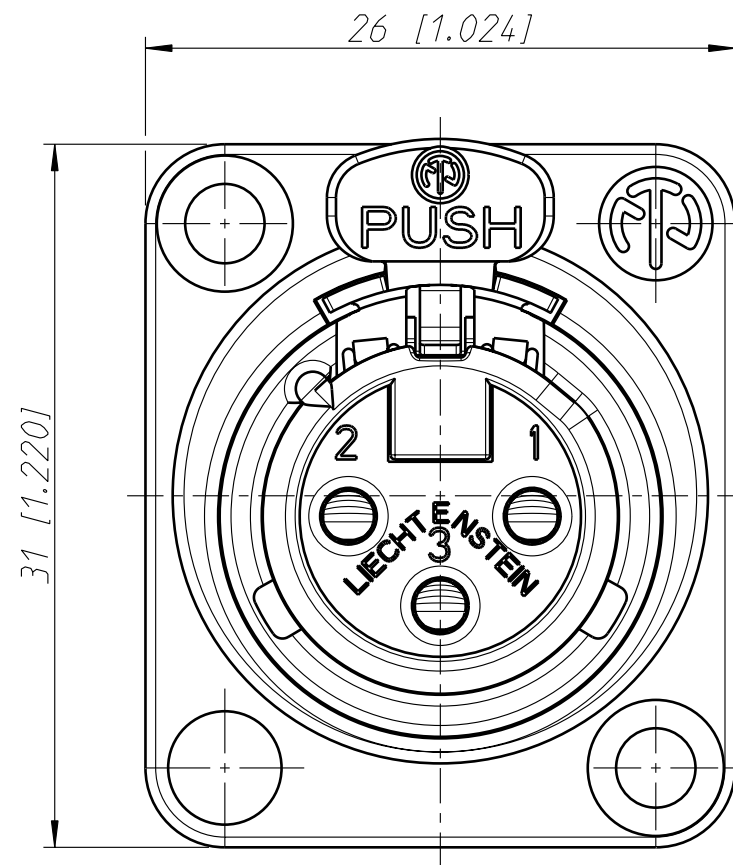
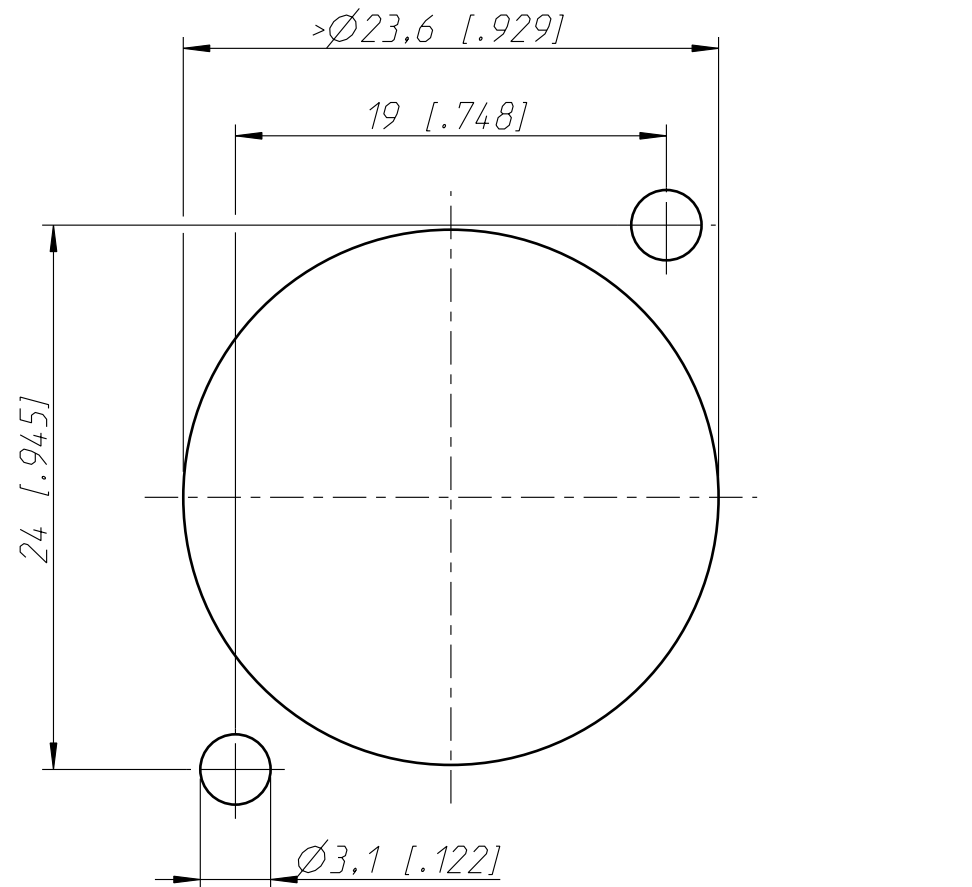
Features & Benefits

- All metal housing offers best overall RF protection and electromagnetic shielding
- New duplex ground contact for excellent contact integrity between chassis and cable connector
- Unique cage type female contact on 3 pole version increases conductivity and reduces wear on the mated male contact
- Female contact incorporates a solder barrier to prevent solder running into the contact mating area
- Larger solder contacts for easier termination
- Optional connection to easily join pin1 to chassis ground
- D-style housing provides installation compatibility with industry standard D mounting dimensions

ACCESSORIES



Frontplattenausschnitt (Rückseite)
panel cut out (rear side)

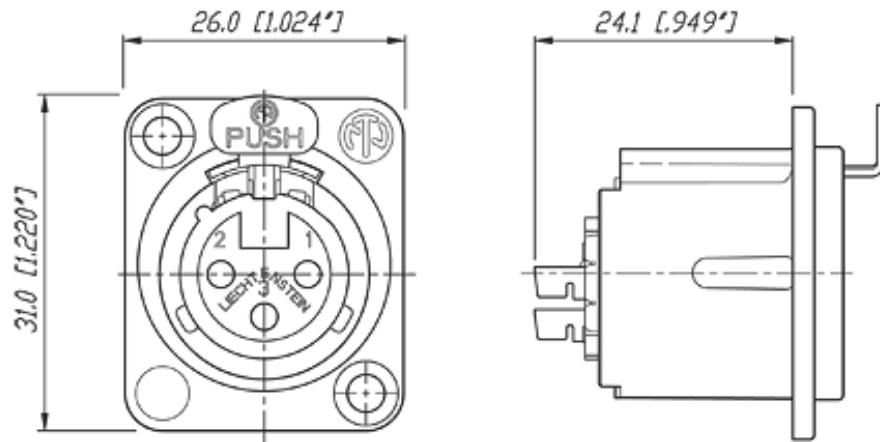


Allgemeintoleranzen ISO 2768-m	Werkstoff	Massstab:	Datum	Name	
Zeichnung urheberrechtlich geschuetzt (DIN 34) (C)	KEIN_MAT -	3:1 (A3)	Gezeichnet	19.06.06	Ender
			Freigegeben	-	-
			Geaendert	-	-
Benennung		NC3FD-LX NC3FD-LX	Aend.-Nr. -	Aend.-Index Blatt 1 von 1 Bl.	
NEUTRIK AG FL-9494 SCHAAN			Zeichn. Nr.	ST-NC3FD-LX	



DLX Series

NC3FD-LX-B



There are no technical infos for this product.

Product

Connector Type	XLR
Gender	female

Electrical

Capacitance between contacts	≤ 4 pF
Contact resistance	≤ 5 m Ω
Dielectric strength	1,5 kVdc
Insulation resistance	> 2 G Ω (initial)
Insulation resistance	> 1 G Ω (after damp heat test)
Rated current per contact	16 A
Rated voltage	50 V

Mechanical

Insertion force	≤ 20 N
Withdrawal force	≤ 20 N
Lifetime	> 1000 mating cycles
Wire size	max. 2.5 mm ²
Wire size	max. 14 AWG
Wiring	Solder contacts

Locking device	latch lock
Mounting direction	front & rear
Chassis shape	D

Material

Contact plating	0.2 µm Au hard alloy over 2 µm Ni
Contacts	Bronze (CuSn6)
Insert	Polyamide (PA 6.6 30 % GR)
Locking element	Steel Ck67
Shell	Zinc diecast (ZnAl4Cu1)
Shell plating	Black chromium

Environmental

Flammability	UL 94 HB
Standard compliance	IEC 61076-2-103
Solderability	Complies with IEC 68-2-20
Temperature range	-30 °C to +80 °C

Optical

Mobile Cables